



## TECHNICAL GUIDE

### HORIZONTAL DISCHARGE SPLIT SYSTEM AIR CONDITIONERS 13 SEER – R-410A – 1 PHASE 1.5 THRU 5 NOMINAL TONS MODELS: TCHD18 THRU 60



ISO 9001  
Certified Quality  
Management System



Due to continuous product improvement, specifications are subject to change without notice.

Visit us on the web at

[www.simplygettingthejobdone.com](http://www.simplygettingthejobdone.com) and  
[www.york.com](http://www.york.com)

Additional rating information can be found at  
[www.ahridirectory.org](http://www.ahridirectory.org)

#### WARRANTY SUMMARY\*

Extended 10-Years limited parts warranty.  
Standard 10-Years limited compressor warranty.

**Extended 10-Years limited parts warranty** requires online registration within 90 days of purchase for replacement or closing for new home construction.

\*Does not apply to R-22 models, 3-Phase models, or internet sales.  
See Limited Warranty certificate in User's Information Manual for details.

## DESCRIPTION

The 13 SEER Series condensing unit is the outdoor part of a versatile system of air conditioning. It is designed to be custom-matched with one of York's complete line of evaporator sections, with each serving a specific function. Matching Air Handlers are available for upflow, downflow, or horizontal applications to provide a complete system. Electric Heaters are available, if required. Add-On coils are available for use with upflow, downflow, or horizontal furnaces and air handlers.

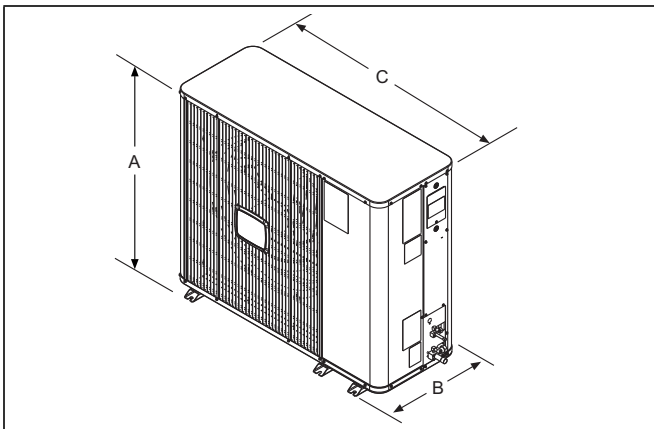
## FEATURES

- **Performance** - Efficiency levels from 13.0 SEER/11.0 EER with a loose coil up to 16.0 SEER/14.0 EER (some models) when coupled with an ECM indoor blower.
- **Small Footprint** - Compact "slim-line" design allows for easy installation in tight spaces. Units can be stacked two-high with approved stacking kit.
- **QuietDrive™ System** - The combination of a swept-wing fan, rigid base pan, isolated compressor compartment, and quiet scroll compressor reduce sound to as low as 69 dBA.
- **Low Operating Sound Levels** - The swept-wing condenser fan in blow-through configuration provides for whisper-quiet operation by allowing air to flow smoothly and efficiently across the fan tips.
- **Quality Condenser Coils** - The coil is constructed of aluminum microchannel tubing and enhanced aluminum fins for compact size and increased efficiency.
- **Environmentally Friendly Refrigerant** - The next generation refrigerant R-410A delivers environmentally friendly performance with zero ozone depletion.
- **Durable Cabinet** - Heavy-gage steel cabinet and tubular base rails provide added support.
- **Aesthetic** - Powder paint "Champagne" color provides an attractive retail finish.
- **Commercial Applications** - The TCHD is also available in 208/230-3-60 and 460-3-60 voltages in the 2-1/2, 3, 4, & 5 ton models.
- **Other Features:**
  - Factory supplied filter drier
  - High pressure switch, low pressure switch
  - Accumulator and crankcase heater in all sizes
  - Up to 200' line set out of the box
  - Zero lot line - only 6" minimum clearance from structure
- **Agency Listed** - Safety certified by CSA to UL 1995 / CSA 22.2. Performance certified to ANSI/AHRI Standard 210/240 in accordance with the Unitary Small Equipment certification program.

**PHYSICAL AND ELECTRICAL DATA**

MODEL	TCHD18 S41S3	TCHD24 S41S4	TCHD30 S41S3	TCHD36 S41S3	TCHD48 S41S3	TCHD60 S41S3
Unit Supply Voltage	208-230V, 1f, 60Hz					
Normal Voltage Range <sup>1</sup>	187 to 252					
Minimum Circuit Ampacity	11.8	18.3	17.5	23.1	27.1	34.3
Max. Overcurrent Device Amps <sup>2</sup>	20	30	30	40	45	60
Min. Overcurrent Device Amps <sup>3</sup>	15	20	20	25	30	35
Compressor	Type	Scroll	Scroll	Scroll	Scroll	Scroll
	Rated Load Amps	9.0	13.5	12.8	17.3	20.5
	Locked Rotor Amps	48.0	58.3	64.0	96.7	115.0
Crankcase Heater	Yes	Yes	Yes	Yes	Yes	Yes
Factory External Discharge Muffler	No	No	No	No	No	No
Factory External Check Valve	No	No	No	No	No	No
HS Kit Required with TXV <sup>4</sup>	No	No	No	No	No	No
Fan Diameter Inches	17.5	23	23	23	23	23
Fan Motor	Rated HP	1/8	1/4	1/4	1/4	1/4
	Rated Load Amps	0.6	1.5	1.5	1.5	1.5
	Nominal RPM	840	850	850	850	850
	Nominal CFM	1150	3200	3200	3200	3050
Coil	Face Area Sq. Ft.	5.76	11.96	11.96	11.96	13.96
	Rows Deep	1	1	1	1	1
	Fins / Inch	23	23	23	23	23
Refrigerant Lines <sup>5</sup>	Max. Length	200	200	200	200	200
	Max. Lift	65	65	65	65	65
	Max. Drop	150	150	150	150	150
	Liquid Line Set OD (Field Installed)	3/8	3/8	3/8	3/8	3/8
	Vapor Line Set OD (Field Installed)	3/4	3/4	3/4	3/4	7/8
Unit Charge (Lbs. - Oz.) <sup>6</sup>	2 - 10	4 - 1	4 - 0	4 - 8	5 - 5	5 - 6
Charge Per Foot, Oz.	0.62	0.62	0.62	0.62	0.67	0.67
Operating Weight Lbs.	120	180	180	200	225	235

1. Rated in accordance with AHRI Standard 110-2012, utilization range "A".
2. Dual element fuses or HACR circuit breaker. Maximum allowable overcurrent protection.
3. Dual element fuses or HACR circuit breaker. Minimum recommended overcurrent protection.
4. See Hard Start Kit Accessory Installation Manual for Hard Start Kit part number for each model.
5. When more than 50 feet of interconnecting tubing and more than 30 feet of vertical lift is used, consult the Application Data (part number 247077). For long-line applications, interconnecting lines over 100 feet must be installed with liquid line solenoid.
6. The Unit Charge is correct for the outdoor unit, smallest matched indoor unit, and 15 feet of refrigerant tubing. For tubing lengths other than 15 feet, add or subtract the amount of refrigerant, using the difference in length multiplied by the per foot value.

**DIMENSIONS**

Unit Model	Dimensions (Inches)			Refrigerant Connection Service Valve Size	
	A	B	C	Liquid	Vapor
TCHD18S41S3	25-1/4	17-1/2	37-1/4	3/8	3/4
TCHD24S41S4	37-1/4	20	45		
TCHD30S41S3	37-1/4	20	45		
TCHD36S41S3	37-1/4	20	45		
TCHD48S41S3	43-1/4	20	45	7/8	
TCHD60S41S3	43-1/4	20	45		

All dimensions are in inches and are subject to change without notice.  
Overall height is from bottom of mounting feet to top of unit.  
Overall length and width include mounting feet and screw heads.

**SYSTEM CHARGE FOR VARIOUS COPPER MATCHED SYSTEMS**

Outdoor Unit	TCHD18S41S3	TCHD24S41S4	TCHD30S41S3	TCHD36S41S3	TCHD48S41S3	TCHD60S41S3
Required TXV <sup>1,2</sup>	4F1	4F1	4G1	4G1	4J1	4K1
Indoor Unit <sup>3,4,5</sup>	Additional Charge, Oz					
AHE18B	0	–	–	–	–	–
AHE24B	17	14	–	–	–	–
AHE30B	17	14	10	–	–	–
AHE36C	24	20	16	12	–	–
AHE42D	–	32	27	22	–	–
AHE48D	–	–	–	–	11	–
AHE60D	–	–	–	–	16	13
AHR18B	0	–	–	–	–	–
AHR24B	–	14	–	–	–	–
AHR30B	–	–	10	–	–	–
AHR36B	–	–	16	12	–	–
AHR42C	–	–	–	22	–	–
AHR48D	–	–	–	–	11	–
AHR60D	–	–	–	–	16	–
AHV18B	0	–	–	–	–	–
AHV24B	13	9	–	–	–	–
AHV30B	14	9	0	–	–	–
AHV36C	21	16	7	0	–	–
AHV42D	–	–	18	11	–	–
AHV48D	–	–	–	10	0	–
AHV60D	–	–	–	–	4	0
FC/MC/PC18	0	–	–	–	–	–
FC/MC/PC24	4	0	–	–	–	–
FC/MC/PC32	17	14	10	6	–	–
FC/MC/PC35	17	14	10	6	–	–
FC/MC/PC37	24	21	16	12	–	–
FC/MC/PC43	–	20	16	0	–	–
FC/MC/PC48	–	32	27	22	0	–
FC/MC/PC60	–	–	–	–	10	–
FC/MC62	–	–	–	–	16	0
FC64	–	–	–	–	25	11
HD24	26	17	–	–	–	–
HD36	32	20	14	11	–	–
HD48	–	–	–	33	24	–
HD60	–	–	–	–	30	22
UC18	0	–	–	–	–	–
UC24	9	5	–	–	–	–
UC48	–	25	21	17	6	–
UC60	–	–	–	–	11	–

Some of the combinations shown in the above System Charge table require Advanced Main Air Circulating Fan indoor product. For approved coil only matches, please see the “COOLING CAPACITY - Upflow, Downflow & Horizontal Furnaces and Coils” table.

**FOOTNOTES:**

- For applications requiring a TXV use S1-1TVM\*\*\* series kit.
- A TXV kit must be used with these indoor units to obtain system performance.
- Systems matched with furnaces or air handlers not equipped with blower-off delays may require 60 second time delay.
- PC coils cannot be used in downflow or horizontal applications. FC coils cannot be used in horizontal applications.
- Charge adders shown above do not indicate that coils are rated for every application. Refer to Performance Data Tables for actual performance for specified system matches. Obtain certified system ratings from [www.ahridirectory.org](http://www.ahridirectory.org).

**PROCEDURES:**

- Check the Factory Unit Charge listed on the unit nameplate to verify the refrigerant charge for the outdoor unit, the smallest matched indoor unit, and the 15 feet of interconnecting lineset.
- Verify the indoor metering device and additional charge required for the specific matched indoor unit in the system using the above table.
- Add additional charge for the amount of interconnecting lineset greater than 15 feet at the rate specified in the Physical and Electrical Table.
- For installations requiring additional charge, weigh in refrigerant for the specific matching indoor unit and actual lineset length.
- Once the charge adders for matched indoor unit and for lineset have been weighed in, verify the system operation against the temperatures and pressures in the Charging Chart for the outdoor unit. Locate Charging Charts on the outdoor unit and also in the Service Data Application Guide on [www.simplygettingthejobdone.com](http://www.simplygettingthejobdone.com). Follow the Subcool or Superheat charging procedure in the Installation Manual according to the type of indoor metering device in the system, and allow ten minutes after each charge adjustment for the system operation to stabilize. Record the charge adjustment made to match the Charging Chart.
- Permanently stamp the unit data plate with the TOTAL SYSTEM CHARGE defined as follows: TOTAL SYSTEM CHARGE = Base Charge (as shipped) + charge adder for matched indoor unit + charge adder for actual lineset length + charge adjustments to match the Charging Chart.

**SYSTEM CHARGE FOR VARIOUS ALUMINUM MATCHED SYSTEMS**

Outdoor Unit	TCHD24 S41S4	TCHD30 S41S3	TCHD36 S41S3	TCHD48 S41S3	TCHD60 S41S3
Required TXV <sup>1,2</sup>	BA1	BA1	BC1	BC1	BD1
Indoor Unit <sup>3,4,5</sup>	Additional Charge, Oz				
AP18B	–	–	–	–	–
AP24B	–	–	–	–	–
AP30B	0	14	–	–	–
AP36B	–	–	14	–	–
AP36C	7	–	14	–	–
AP37C	–	22	18	–	–
AP42C	–	–	–	–	–
AP48C	–	–	18	7	–
AP48D	–	–	–	7	–
AP60(C,D)	–	–	–	9	2
AE18B	–	–	–	–	–
AE24B	–	–	–	–	–
AE30B	0	12	–	–	–
AE36(B,C)	7	14	14	–	–
AE42C	–	22	18	–	–
AE48(C,D)	–	22	18	7	–
AE60C	–	–	22	9	–
AE60D	–	–	42	29	22
AVC18B	–	–	–	–	–
AVC24B	–	–	–	–	–
AVC30B	0	12	–	–	–
AVC36(B,C)	7	14	12	–	–
AVC42C	–	22	18	–	–
AVC48(C,D)	–	22	18	7	–
AVC60C	–	–	22	9	–
AVC60D	–	–	42	29	22
CF/CM/CU18(A,B)	–	–	–	–	–
CF/CM/CU24(A,B)	–	–	–	–	–
CF/CM/CU30(A,B,C)	0	12	–	–	–
CF/CM/CU36(A,B,C,D)	7	14	–	–	–
CF/CM/CU42(B,C,D)	–	18	14	–	–
CF/CM/CU48(C,D)	–	22	18	7	–
CF/CM/CU60(C,D)	–	–	22	9	2
CF/CM50C	–	–	26	–	–
CF/CM61D	–	–	26	–	–
CF/CM64D	–	–	42	29	22

Some of the combinations shown in the above System Charge table require Advanced Main Air Circulating Fan indoor product. For approved coil only matches, please see the "COOLING CAPACITY - Upflow, Downflow & Horizontal Furnaces and Coils" table in the Technical Guide.

**FOOTNOTES:**

- For applications requiring a TXV use S1-1TVM\*\*\* series kit.
- A TXV kit must be used with these indoor units to obtain system performance.
- Systems matched with furnaces or air handlers not equipped with blower-off delays may require 60 second time delay.
- CF coils cannot be used in horizontal applications.
- Charge adders shown above do not indicate that coils are rated for every application. Refer to Performance Data Tables for actual performance for specified system matches. Obtain certified system ratings from [www.ahridirectory.org](http://www.ahridirectory.org).

**PROCEDURES:**

- Check the Factory Unit Charge listed on the unit nameplate to verify the refrigerant charge for the outdoor unit, the smallest matched indoor unit, and the 15 feet of interconnecting lineset.
- Verify the indoor metering device and additional charge required for the specific matched indoor unit in the system using the above table.
- Add additional charge for the amount of interconnecting lineset greater than 15 feet at the rate specified in the Physical and Electrical Table.
- For installations requiring additional charge, weigh in refrigerant for the specific matching indoor unit and actual lineset length.
- Once the charge adders for matched indoor unit and for lineset have been weighed in, verify the system operation against the temperatures and pressures in the Charging Chart for the outdoor unit. Locate Charging Charts on the outdoor unit and also in the Service Data Application Guide on [www.simplygettingthejobdone.com](http://www.simplygettingthejobdone.com). Follow the Subcool or Superheat charging procedure in the Installation Manual according to the type of indoor metering device in the system, and allow ten minutes after each charge adjustment for the system operation to stabilize. Record the charge adjustment made to match the Charging Chart.
- Permanently stamp the unit data plate with the TOTAL SYSTEM CHARGE defined as follows: TOTAL SYSTEM CHARGE = Base Charge (as shipped) + charge adder for matched indoor unit + charge adder for actual lineset length + charge adjustments to match the Charging Chart.

## COOLING CAPACITY - With Air Handler Coils

UNIT MODEL	AIR HANDLER		COIL MODEL <sup>1</sup>	COOLING				
	MODEL	WIDTH		RATED CFM	NET MBH		SEER	EER
					TOTAL	SENS.		
TCHD18S41S3	AHE18B	17.5	–	610	18.10	12.80	14.50	12.00
TCHD18S41S3	AHE24B	17.5	–	585	18.30	13.00	14.75	12.25
TCHD18S41S3	AHE30B	17.5	–	585	18.30	13.00	14.75	12.25
TCHD18S41S3	AHE36C	21.0	–	730	19.40	14.60	15.25	12.75
TCHD18S41S3	AHR18B	17.5	–	665	17.90	12.80	13.00	11.00
TCHD18S41S3	AHV18B	17.5	–	615	18.00	12.70	14.25	11.50
TCHD18S41S3	AHV24B	17.5	–	580	18.20	12.80	14.50	11.75
TCHD18S41S3	AHV30B	17.5	–	700	18.40	13.80	14.50	11.75
TCHD18S41S3	AHV36C	21.0	–	670	18.60	13.70	15.00	12.00
TCHD18S41S3	MV12B	17.5	FC/MC24B	600	18.40	12.90	14.50	12.15
TCHD18S41S3	MV12B	17.5	FC/MC35B	600	18.30	13.10	14.50	12.00
TCHD18S41S3	MX12BN21	17.5	FC/MC18B	600	18.00	12.70	14.25	11.50
TCHD18S41S3	MX12BN21	17.5	FC/MC24B	600	18.40	13.00	14.85	12.00
TCHD18S41S3	MX12BN21	17.5	FC/MC35B	600	18.40	13.10	14.80	12.00
TCHD18S41S3	MX16CN21	21.0	FC/MC35C	625	18.10	12.80	13.25	10.75
TCHD24S41S4	AE30BX21	17.5	–	900	23.40	19.00	14.00	11.50
TCHD24S41S4	AE36BX21	17.5	–	850	23.40	18.90	14.50	12.00
TCHD24S41S4	AE36CX21	21.0	–	800	23.40	18.40	14.75	12.25
TCHD24S41S4	AP30BX21	17.5	–	850	23.40	18.90	13.50	11.50
TCHD24S41S4	AVC30BX21	17.5	–	750	23.40	17.90	14.50	12.00
TCHD24S41S4	AVC36BX21	17.5	–	750	23.40	17.90	14.50	12.00
TCHD24S41S4	AVC36CX21	21.0	–	875	23.40	19.20	15.00	12.25
TCHD24S41S4	ME08BN21	17.5	CF/CM30B	800	23.40	18.20	14.50	12.00
TCHD24S41S4	ME08BN21	17.5	CF/CM36B	800	23.40	18.40	14.50	12.00
TCHD24S41S4	ME12BN21	17.5	CF/CM30B	875	23.40	18.80	14.75	12.25
TCHD24S41S4	ME12BN21	17.5	CF/CM36B	875	23.40	19.20	14.75	12.25
TCHD24S41S4	ME12CN21	21.0	CF/CM30C	850	23.40	18.80	14.75	12.00
TCHD24S41S4	ME12CN21	21.0	CF/CM36C	850	23.40	19.00	14.75	12.25
TCHD24S41S4	ME14DN21	24.5	CF/CM36D	875	23.80	19.50	15.00	12.50
TCHD24S41S4	ME16CN21	21.0	CF/CM30C	925	23.40	19.30	14.75	12.25
TCHD24S41S4	ME16CN21	21.0	CF/CM36C	925	23.40	19.30	14.75	12.25
TCHD24S41S4	MVC08BN21	17.5	CF/CM30B	800	23.40	18.20	14.50	12.00
TCHD24S41S4	MVC08BN21	17.5	CF/CM36B	800	23.40	18.40	14.50	12.00
TCHD24S41S4	MVC12BN21	17.5	CF/CM30B	875	23.40	18.80	14.50	12.00
TCHD24S41S4	MVC12BN21	17.5	CF/CM36B	875	23.40	19.10	14.75	12.00
TCHD24S41S4	MVC12CN21	21.0	CF/CM30C	875	23.40	18.80	15.00	12.25
TCHD24S41S4	MVC12CN21	21.0	CF/CM36C	875	23.40	19.20	15.00	12.50
TCHD24S41S4	AHE24B	17.5	–	795	24.00	17.00	15.50	13.00
TCHD24S41S4	AHE30B	17.5	–	795	24.00	17.00	15.50	13.00
TCHD24S41S4	AHE36C	21.0	–	855	24.40	17.80	16.00	13.50
TCHD24S41S4	AHE42D	24.5	–	820	24.40	17.30	16.25	13.50
TCHD24S41S4	AHR24B	17.5	–	740	23.40	16.10	14.25	12.00
TCHD24S41S4	AHV24B	17.5	–	710	23.80	16.40	15.50	12.75
TCHD24S41S4	AHV30B	17.5	–	775	23.60	16.30	15.25	12.50
TCHD24S41S4	AHV36C	21.0	–	760	24.20	17.10	15.75	13.25
TCHD24S41S4	MV12B	17.5	FC/MC24B	830	24.20	17.10	15.75	13.25
TCHD24S41S4	MV12B	17.5	FC/MC35B	800	24.20	16.80	15.50	13.00
TCHD24S41S4	MV12B	17.5	FC/MC43B	800	24.40	17.30	15.75	13.00
TCHD24S41S4	MV12D	24.5	FC/MC48D	845	24.40	17.70	16.75	13.50
TCHD24S41S4	MX12BN21	17.5	FC/MC24B	800	24.20	17.10	15.50	13.00
TCHD24S41S4	MX12BN21	17.5	FC/MC35B	800	24.00	16.80	15.50	12.75
TCHD24S41S4	MX12BN21	17.5	FC/MC43B	800	24.40	17.30	15.75	13.00
TCHD24S41S4	MX12DN21	24.5	FC/MC48D	800	24.40	17.00	16.25	13.50

**COOLING CAPACITY - With Air Handler Coils (Continued)**

UNIT MODEL	AIR HANDLER		COIL MODEL <sup>1</sup>	COOLING				
	MODEL	WIDTH		RATED CFM	NET MBH		SEER	EER
					TOTAL	SENS.		
TCHD24S41S4	MX16CN21	21.0	FC/MC35C	800	24.00	16.80	15.00	12.50
TCHD24S41S4	MX16CN21	21.0	FC/MC43C	800	24.20	17.20	15.50	12.75
TCHD24S41S4	MX16CN21	21.0	FC/MC48C	800	24.40	17.10	15.50	13.00
TCHD30S41S3	AE30BX21	17.5	–	1075	30.00	24.40	14.00	12.25
TCHD30S41S3	AE36BX21	17.5	–	1000	30.00	23.60	14.00	12.25
TCHD30S41S3	AE36CX21	21.0	–	1025	30.00	24.20	14.00	12.25
TCHD30S41S3	AE42CX21	21.0	–	1000	30.00	23.60	14.25	12.50
TCHD30S41S3	AP30BX21	17.5	–	850	29.20	21.80	14.25	12.25
TCHD30S41S3	AP37CX21	21.0	–	1150	30.60	25.60	14.25	12.50
TCHD30S41S3	AVC30BX21	17.5	–	1075	30.00	24.40	14.00	12.25
TCHD30S41S3	AVC36BX21	17.5	–	1000	30.00	23.60	14.00	12.25
TCHD30S41S3	AVC36CX21	21.0	–	825	29.40	21.20	14.25	12.50
TCHD30S41S3	AVC42CX21	21.0	–	1050	30.00	23.80	14.25	12.50
TCHD30S41S3	AVC48CX21	21.0	–	1075	30.00	24.20	14.25	12.50
TCHD30S41S3	AVC48DX21	24.5	–	875	29.80	22.20	14.25	12.50
TCHD30S41S3	ME12BN21	17.5	CF/CM30B	1050	30.00	23.80	14.00	12.25
TCHD30S41S3	ME12BN21	17.5	CF/CM36B	850	29.20	21.80	14.25	12.25
TCHD30S41S3	ME12BN21	17.5	CF42B	850	29.60	21.80	14.25	12.50
TCHD30S41S3	ME12CN21	21.0	CF/CM30C	825	29.00	21.20	14.00	12.25
TCHD30S41S3	ME14DN21	24.5	CF/CM42D	1025	30.00	23.60	14.25	12.50
TCHD30S41S3	ME14DN21	24.5	CF/CM48D	1025	30.00	23.60	14.25	12.50
TCHD30S41S3	ME16CN21	21.0	CF/CM30C	1100	30.00	24.40	14.00	12.25
TCHD30S41S3	ME16CN21	21.0	CF/CM36C	900	29.60	22.20	14.25	12.50
TCHD30S41S3	ME16CN21	21.0	CF/CM42C	900	29.80	22.40	14.25	12.50
TCHD30S41S3	ME16CN21	21.0	CF/CM48C	925	30.00	22.80	14.25	12.50
TCHD30S41S3	MVC12BN21	17.5	CF/CM30B	1075	30.00	24.40	14.00	12.25
TCHD30S41S3	MVC12BN21	17.5	CF/CM36B	1075	30.00	23.80	14.00	12.25
TCHD30S41S3	MVC12BN21	17.5	CF42B	1075	30.00	24.20	14.00	12.50
TCHD30S41S3	MVC12CN21	21.0	CF/CM30C	1000	29.80	23.60	14.00	12.25
TCHD30S41S3	MVC12CN21	21.0	CF/CM36C	1000	30.00	23.60	14.00	12.25
TCHD30S41S3	MVC12CN21	21.0	CF/CM42C	875	29.60	22.00	14.25	12.50
TCHD30S41S3	MVC12CN21	21.0	CF/CM48C	875	29.80	22.20	14.25	12.50
TCHD30S41S3	MVC16CN21	21.0	CF/CM30C	1025	29.80	23.80	14.00	12.25
TCHD30S41S3	MVC16CN21	21.0	CF/CM36C	1025	30.00	24.20	14.00	12.25
TCHD30S41S3	MVC16CN21	21.0	CF/CM42C	1025	30.00	23.60	14.25	12.50
TCHD30S41S3	MVC16CN21	21.0	CF/CM48C	1025	30.00	23.60	14.25	12.50
TCHD30S41S3	AHE30B	17.5	–	985	28.40	21.20	14.75	13.00
TCHD30S41S3	AHE36C	21.0	–	1000	29.00	21.80	15.50	13.50
TCHD30S41S3	AHE42D	24.5	–	1000	29.40	22.20	16.00	14.00
TCHD30S41S3	AHR30B	17.5	–	1065	28.20	21.80	13.50	12.00
TCHD30S41S3	AHR36B	17.5	–	1060	28.60	21.80	13.50	12.00
TCHD30S41S3	AHV30B	17.5	–	1000	28.20	20.90	14.00	12.25
TCHD30S41S3	AHV36C	21.0	–	895	28.60	20.70	15.00	13.00
TCHD30S41S3	AHV42D	24.5	–	1080	29.60	22.90	15.50	13.25
TCHD30S41S3	MV12B	17.5	FC/MC35B	1000	28.60	21.20	15.00	13.20
TCHD30S41S3	MV12B	17.5	FC/MC43B	1000	29.00	21.60	15.15	13.35
TCHD30S41S3	MV16C	21.0	FC/MC35C	1000	28.60	21.20	15.00	13.25
TCHD30S41S3	MV16C	21.0	FC/MC43C	1000	29.00	21.60	15.35	13.50
TCHD30S41S3	MV16C	21.0	FC/MC48C	1000	29.40	21.80	15.50	13.70
TCHD30S41S3	MX12BN21	17.5	FC/MC35B	975	28.60	21.40	15.00	13.10
TCHD30S41S3	MX12BN21	17.5	FC/MC43B	975	29.00	21.80	15.25	13.30
TCHD30S41S3	MX12DN21	24.5	FC/MC48D	950	29.00	21.60	15.50	13.50
TCHD30S41S3	MX16CN21	21.0	FC/MC35C	1000	28.60	21.40	15.00	13.05



**COOLING CAPACITY - With Air Handler Coils (Continued)**

UNIT MODEL	AIR HANDLER		COIL MODEL <sup>1</sup>	COOLING				
	MODEL	WIDTH		RATED CFM	NET MBH		SEER	EER
					TOTAL	SENS.		
TCHD30S41S3	MX16CN21	21.0	FC/MC43C	950	28.80	21.40	15.75	13.60
TCHD30S41S3	MX16CN21	21.0	FC/MC48C	950	29.00	21.60	15.85	13.75
TCHD30S41S3	MX20DN21	24.5	FC/MC48D	1000	29.00	21.80	14.50	12.75
TCHD36S41S3	AE36BX21	17.5	–	1100	35.40	26.80	13.50	11.25
TCHD36S41S3	AE36CX21	21.0	–	1175	35.80	27.80	13.50	11.25
TCHD36S41S3	AE42CX21	21.0	–	1150	35.80	27.60	13.75	11.25
TCHD36S41S3	AE43CX21	21.0	–	1200	35.80	24.60	14.25	14.75
TCHD36S41S3	AE48CX21	21.0	–	1050	35.80	26.40	14.00	11.50
TCHD36S41S3	AE48DX21	24.5	–	1050	35.80	26.60	14.00	11.50
TCHD36S41S3	AE60CX21	21.0	–	1200	35.80	28.40	14.50	12.00
TCHD36S41S3	AE60CX22	21.0	–	1200	35.80	27.80	14.50	12.00
TCHD36S41S3	AE60DX21	24.5	–	1150	35.80	27.60	14.50	11.75
TCHD36S41S3	AP36BX21	17.5	–	1150	35.20	27.20	13.75	11.75
TCHD36S41S3	AP36CX21	21.0	–	1125	35.20	27.00	13.75	11.75
TCHD36S41S3	AP37CX21	21.0	–	1125	35.20	27.00	13.75	11.75
TCHD36S41S3	AP48CX21	21.0	–	1300	35.80	29.20	13.75	11.50
TCHD36S41S3	AVC36BX21	17.5	–	1100	35.40	26.80	13.50	11.25
TCHD36S41S3	AVC36CX21	21.0	–	1100	35.60	27.00	13.50	11.00
TCHD36S41S3	AVC42CX21	21.0	–	1050	35.60	26.40	13.75	11.25
TCHD36S41S3	AVC48CX21	21.0	–	1075	35.80	26.80	14.00	11.50
TCHD36S41S3	AVC48DX21	24.5	–	1150	35.80	27.60	14.00	11.50
TCHD36S41S3	AVC49CX21	21.0	–	1050	35.40	26.60	14.25	12.00
TCHD36S41S3	AVC60CX22	21.0	–	1100	35.40	26.60	14.50	12.25
TCHD36S41S3	AVC60DX21	24.5	–	1175	35.80	28.20	14.50	12.00
TCHD36S41S3	ME12BN21	17.5	CF42B	1050	35.40	26.60	13.75	11.25
TCHD36S41S3	ME12CN21	21.0	CF/CM42C	1225	35.80	28.40	13.75	11.25
TCHD36S41S3	ME12CN21	21.0	CF/CM48C	1225	35.80	28.40	14.00	11.50
TCHD36S41S3	ME12CN21	21.0	CF/CM50C	1200	35.00	28.20	14.25	11.75
TCHD36S41S3	ME12CN21	21.0	CF/CM60C	1225	35.80	28.00	14.50	12.25
TCHD36S41S3	ME14DN21	24.5	CF/CM42D	1200	35.80	28.20	13.75	11.25
TCHD36S41S3	ME14DN21	24.5	CF/CM48D	1200	35.80	28.20	14.00	11.50
TCHD36S41S3	ME14DN21	24.5	CF/CM61D	1175	35.00	27.80	14.75	12.25
TCHD36S41S3	ME14DN21	24.5	CF/CM64D	1200	35.80	28.20	15.00	12.50
TCHD36S41S3	ME16CN21	21.0	CF/CM42C	1100	35.60	27.20	13.75	11.25
TCHD36S41S3	ME16CN21	21.0	CF/CM48C	1100	35.80	27.20	14.00	11.50
TCHD36S41S3	ME16CN21	21.0	CF/CM50C	1075	34.60	26.40	14.25	11.75
TCHD36S41S3	ME16CN21	21.0	CF/CM60C	1100	35.60	26.60	14.50	12.00
TCHD36S41S3	ME20DN21	24.5	CF/CM42D	1275	35.80	29.00	13.75	11.25
TCHD36S41S3	ME20DN21	24.5	CF/CM48D	1275	35.80	28.80	14.00	11.25
TCHD36S41S3	ME20DN21	24.5	CF/CM61D	1250	35.20	28.80	14.75	12.25
TCHD36S41S3	ME20DN21	24.5	CF/CM64D	1250	35.80	28.80	15.00	12.50
TCHD36S41S3	MVC12BN21	17.5	CF42B	1125	35.60	27.40	13.75	11.50
TCHD36S41S3	MVC12CN21	21.0	CF/CM42C	1050	35.60	26.80	13.75	11.25
TCHD36S41S3	MVC12CN21	21.0	CF/CM48C	1125	35.80	27.40	14.00	11.50
TCHD36S41S3	MVC12CN21	21.0	CF/CM50C	1150	35.00	27.60	14.25	11.75
TCHD36S41S3	MVC12CN21	21.0	CF/CM60C	1050	35.40	26.00	14.50	12.00
TCHD36S41S3	MVC14DN21	24.5	CF/CM42D	1250	35.80	28.80	13.75	11.00
TCHD36S41S3	MVC14DN21	24.5	CF/CM48D	1175	35.80	28.00	14.00	11.25
TCHD36S41S3	MVC14DN21	24.5	CF/CM61D	1200	35.20	28.40	14.75	12.25
TCHD36S41S3	MVC14DN21	24.5	CF/CM64D	1100	35.80	27.20	15.00	12.25
TCHD36S41S3	MVC16CN21	21.0	CF/CM42C	1125	35.80	27.60	13.75	11.25
TCHD36S41S3	MVC16CN21	21.0	CF/CM48C	1125	35.80	27.40	14.00	11.50
TCHD36S41S3	MVC16CN21	21.0	CF/CM50C	1125	35.00	27.20	14.25	11.75

**COOLING CAPACITY - With Air Handler Coils (Continued)**

UNIT MODEL	AIR HANDLER		COIL MODEL <sup>1</sup>	COOLING				
	MODEL	WIDTH		RATED CFM	NET MBH		SEER	EER
					TOTAL	SENS.		
TCHD36S41S3	MVC16CN21	21.0	CF/CM60C	1125	35.40	26.80	14.50	12.00
TCHD36S41S3	MVC20DN21	24.5	CF/CM42D	1175	35.80	27.80	13.75	11.00
TCHD36S41S3	MVC20DN21	24.5	CF/CM48D	1275	35.80	28.80	14.00	11.50
TCHD36S41S3	MVC20DN21	24.5	CF/CM61D	1175	35.20	28.00	14.75	12.25
TCHD36S41S3	MVC20DN21	24.5	CF/CM64D	1175	35.80	28.20	15.00	12.25
TCHD36S41S3	AHE36C	21.0	–	1190	34.40	25.40	14.75	12.75
TCHD36S41S3	AHE42D	24.5	–	1180	35.00	25.80	15.50	13.25
TCHD36S41S3	AHR36B	17.5	–	1245	33.80	24.60	13.25	11.50
TCHD36S41S3	AHR42C	21.0	–	1230	34.60	25.60	13.75	12.00
TCHD36S41S3	AHV36C	21.0	–	1215	34.40	25.60	14.50	12.00
TCHD36S41S3	AHV42D	24.5	–	1180	35.00	25.80	15.00	12.75
TCHD36S41S3	AHV48D	24.5	–	1155	34.40	25.20	15.00	12.50
TCHD36S41S3	MV12B	17.5	FC/MC43B	1200	34.40	25.20	14.50	12.50
TCHD36S41S3	MV12D	24.5	FC/MC48D	1150	34.60	25.20	15.00	13.00
TCHD36S41S3	MV16C	21.0	FC/MC43C	1200	34.60	25.40	15.00	13.00
TCHD36S41S3	MV16C	21.0	FC/MC48C	1200	35.00	25.60	15.25	13.10
TCHD36S41S3	MX12BN21	17.5	FC/MC35B	1125	33.40	24.10	14.00	11.75
TCHD36S41S3	MX12BN21	17.5	FC/MC43B	1125	33.80	24.50	14.50	12.35
TCHD36S41S3	MX12DN21	24.5	FC/MC48D	1125	34.20	25.10	15.25	13.00
TCHD36S41S3	MX16CN21	21.0	FC/MC35C	1200	33.60	24.70	13.75	11.75
TCHD36S41S3	MX16CN21	21.0	FC/MC43C	1200	34.20	25.30	14.60	12.50
TCHD36S41S3	MX16CN21	21.0	FC/MC48C	1200	34.40	25.70	14.65	12.50
TCHD36S41S3	MX20DN21	24.5	FC/MC48D	1200	34.80	25.90	15.25	12.75
TCHD48S41S3	AE48CX21	21.0	–	1600	48.00	35.20	13.50	11.00
TCHD48S41S3	AE48DX21	24.5	–	1450	48.00	35.40	14.75	12.00
TCHD48S41S3	AE60CX21	21.0	–	1400	48.00	35.20	14.25	11.50
TCHD48S41S3	AE60CX22	21.0	–	1600	48.00	36.20	13.75	11.25
TCHD48S41S3	AE60DX21	24.5	–	1550	48.00	36.20	14.75	11.75
TCHD48S41S3	AP48CX21	21.0	–	1475	48.00	35.80	13.50	11.00
TCHD48S41S3	AP48DX21	24.5	–	1450	48.00	35.40	13.50	11.00
TCHD48S41S3	AVC48DX21	24.5	–	1425	48.00	35.20	14.50	11.75
TCHD48S41S3	AVC60CX22	21.0	–	1450	48.00	35.20	13.50	11.50
TCHD48S41S3	AVC60DX21	24.5	–	1425	48.00	35.20	14.50	11.75
TCHD48S41S3	ME14DN21	24.5	CF/CM48D	1500	48.00	35.80	14.25	11.75
TCHD48S41S3	ME14DN21	24.5	CF/CM60D	1500	48.00	35.60	14.25	11.50
TCHD48S41S3	ME14DN21	24.5	CF/CM64D	1450	48.00	35.60	14.50	11.75
TCHD48S41S3	ME16CN21	21.0	CF/CM60C	1575	48.00	36.00	13.75	11.25
TCHD48S41S3	ME20DN21	24.5	CF/CM48D	1500	48.00	36.00	14.75	12.00
TCHD48S41S3	ME20DN21	24.5	CF/CM64D	1475	48.00	35.60	15.00	12.00
TCHD48S41S3	MVC14DN21	24.5	CF/CM48D	1450	48.00	35.40	14.50	11.75
TCHD48S41S3	MVC14DN21	24.5	CF/CM60D	1450	48.00	35.20	14.50	11.75
TCHD48S41S3	MVC14DN21	24.5	CF/CM64D	1450	48.00	35.60	15.00	12.00
TCHD48S41S3	MVC16CN21	21.0	CF/CM60C	1500	48.00	35.60	14.25	11.50
TCHD48S41S3	MVC20DN21	24.5	CF/CM48D	1425	48.00	35.20	14.75	12.00
TCHD48S41S3	MVC20DN21	24.5	CF/CM64D	1550	48.00	36.20	15.00	12.00
TCHD48S41S3	AHE48D	24.5	–	1600	47.00	34.00	14.00	12.00
TCHD48S41S3	AHE60D	24.5	–	1565	48.00	34.40	14.25	12.25
TCHD48S41S3	AHR48D	24.5	–	1610	47.00	34.00	13.00	11.50
TCHD48S41S3	AHR60D	24.5	–	1620	47.50	34.40	13.25	11.50
TCHD48S41S3	AHV48D	24.5	–	1585	46.50	33.20	13.50	11.50
TCHD48S41S3	AHV60D	24.5	–	1570	47.00	34.00	13.75	11.75
TCHD48S41S3	MV16C	21.0	FC/MC48C	1600	47.50	34.20	14.00	12.10
TCHD48S41S3	MV16C	21.0	FC60C	1625	47.00	33.60	13.75	11.75



**COOLING CAPACITY - With Air Handler Coils (Continued)**

UNIT MODEL	AIR HANDLER		COIL MODEL <sup>1</sup>	COOLING				
	MODEL	WIDTH		RATED CFM	NET MBH		SEER	EER
					TOTAL	SENS.		
TCHD48S41S3	MV20D	24.5	FC/MC48D	1600	47.50	34.20	14.00	12.00
TCHD48S41S3	MV20D	24.5	FC/MC60D	1600	45.50	33.00	13.50	11.60
TCHD48S41S3	MV20D	24.5	FC/MC62D	1600	48.00	34.60	14.25	12.25
TCHD48S41S3	MV20D	24.5	FC64D	1630	49.50	36.00	14.50	12.50
TCHD48S41S3	MX16CN21	21.0	FC/MC48C	1600	46.50	33.50	13.80	11.90
TCHD48S41S3	MX16CN21	21.0	FC60C	1600	46.50	33.30	13.85	11.95
TCHD48S41S3	MX20DN21	24.5	FC/MC48D	1525	46.50	33.10	14.25	12.25
TCHD48S41S3	MX20DN21	24.5	FC/MC60D	1525	47.00	33.50	14.50	12.25
TCHD48S41S3	MX20DN21	24.5	FC/MC62D	1525	47.00	33.70	14.40	12.45
TCHD48S41S3	MX20DN21	24.5	FC64D	1525	48.50	34.70	14.85	12.80
TCHD60S41S3	AE60DX21	24.5	—	1725	58.50	44.90	13.25	11.25
TCHD60S41S3	AP60DX22	24.5	—	1675	58.50	42.90	13.00	11.00
TCHD60S41S3	AVC60DX21	24.5	—	1600	58.50	42.90	13.25	11.00
TCHD60S41S3	ME20DN21	24.5	CF/CM64D	1675	58.50	44.40	13.25	11.25
TCHD60S41S3	MVC20DN21	24.5	CF/CM64D	1775	58.50	45.80	13.25	11.25
TCHD60S41S3	AHE60D	24.5	—	1835	57.50	40.50	13.50	11.50
TCHD60S41S3	AHV60D	24.5	—	1635	56.50	38.30	13.25	11.00
TCHD60S41S3	MV20D	24.5	FC/MC62D	1800	57.50	39.50	13.40	11.30
TCHD60S41S3	MV20D	24.5	FC64D	1855	59.00	41.50	13.50	11.50
TCHD60S41S3	MX20DN21	24.5	FC/MC62D	1750	57.00	39.20	13.75	11.60
TCHD60S41S3	MX20DN21	24.5	FC64D	1750	58.00	40.60	14.00	11.75

Rated in accordance with DOE test procedures (Federal Register 12-27-79 and 3-18-88) and ANSI/AHRI Standard 210/240.

Cooling MBH based on 80°F entering air temperature, 50% RH (Relative Humidity), and rated air flow.

EER (Energy Efficiency Ratio) is the total cooling output in BTUs at 95°F outdoor ambient divided by the total electric power in watt-hours at those conditions.

SEER (Seasonal Energy Efficiency Ratio) is the total cooling output in BTUs during a normal annual usage period for cooling divided by the total electric power input in watt-hours during the same period.

1. MC coils available with a factory installed horizontal drain pan. See price pages for specific model number.

— = Not applicable.

MA Modular Air Handlers use Coil Only Ratings.

**COOLING CAPACITY - Upflow, Downflow & Horizontal Furnaces and Coils (Coil Only Ratings)**

UNIT MODEL	COIL		CFM RANGE (MIN.-MAX.)	RATED CFM	COOLING			
	MODEL	WIDTH			NET MBH		SEER <sup>1</sup>	EER
					TOTAL	SENS.		
TCHD18S41S3	FC/MC/PC24	14.5,17.5	450-750	600	18.0	12.6	13.00	11.00
TCHD18S41S3	FC/MC/PC32	14.5	450-750	600	18.1	12.6	13.00	11.05
TCHD18S41S3	FC/MC/PC35	17.5,21.0	450-750	600	18.1	12.6	13.00	11.05
TCHD18S41S3	FC/MC/PC37	14.5	450-750	600	18.4	12.7	13.10	11.25
TCHD18S41S3	HD24	–	450-750	600	18.7	12.9	13.25	11.35
TCHD18S41S3	UC24	14.5,17.5	450-750	600	18.0	12.5	13.00	11.00
TCHD24S41S4	CF/CM/CU30A	14.5	600-1000	800	23.4	18.2	13.5	11.5
TCHD24S41S4	CF/CM/CU30B	17.5	600-1000	800	24	17.5	13.5	11.5
TCHD24S41S4	CF/CM/CU36B	17.5	600-1000	800	23.4	18.5	13.5	11.5
TCHD24S41S4	CF/CM/CU36C	21.0	600-1000	800	23.4	18.5	13.5	11.5
TCHD24S41S4	CF/CM30C	21.0	600-1000	800	23.4	18.2	13.5	11.5
TCHD24S41S4	CF/CM36A	14.5	600-1000	800	23.4	18.5	13.5	11.5
TCHD24S41S4	CF/CM36D	24.5	600-1000	800	23.4	18.5	13.5	11.5
TCHD24S41S4	FC/MC/PC24	14.5,17.5	600-1000	800	23.4	16.2	13.50	11.50
TCHD24S41S4	FC/MC/PC32	14.5	600-1000	800	23.6	16.4	13.50	11.50
TCHD24S41S4	FC/MC/PC35	17.5,21.0	600-1000	800	23.6	16.4	13.50	11.50
TCHD24S41S4	FC/MC/PC37	14.5	600-1000	800	23.8	16.9	13.75	11.50
TCHD24S41S4	FC/MC/PC43	17.5,21.0	600-1000	800	23.8	16.9	13.75	11.50
TCHD24S41S4	FC/MC/PC48	21.0,24.5	600-1000	800	24.0	16.8	14.00	11.75
TCHD24S41S4	HD24	–	600-1000	800	23.8	16.5	13.75	11.75
TCHD24S41S4	HD36	–	600-1000	800	23.2	15.8	13.25	11.25
TCHD24S41S4	UC24	14.5,17.5	600-1000	800	23.6	16.4	13.50	11.50
TCHD24S41S4	UC48	21.0,24.5	600-1000	800	23.4	16.5	13.75	11.50
TCHD30S41S3	CF/CM/CU30B	17.5	800-1200	1000	29.8	23.6	14.00	12.25
TCHD30S41S3	CF/CM30C	21.0	800-1200	1000	29.0	21.0	13.00	11.50
TCHD30S41S3	FC/MC/PC32	14.5	800-1200	1000	28.0	20.8	13.50	12.00
TCHD30S41S3	FC/MC/PC35	17.5,21.0	800-1200	1000	28.0	20.8	13.50	12.00
TCHD30S41S3	FC/MC/PC37	14.5	800-1200	1000	28.4	21.2	13.70	12.20
TCHD30S41S3	FC/MC/PC43	17.5,21.0	800-1200	1000	28.4	21.2	13.70	12.20
TCHD30S41S3	FC/MC/PC48	21.0,24.5	800-1200	1000	28.6	21.4	13.75	12.25
TCHD30S41S3	HD36	–	800-1200	1000	27.6	20.0	13.30	11.85
TCHD30S41S3	UC48	21.0,24.5	800-1200	1000	26.8	20.0	13.00	11.50
TCHD36S41S3	CF/CM/CU42C	21.0	1000-1400	1250	35.0	26.0	13.00	11.00
TCHD36S41S3	FC/MC/PC37	14.5	1000-1400	1200	33.8	24.8	13.50	11.70
TCHD36S41S3	FC/MC/PC43	17.5,21.0	1000-1400	1200	33.8	24.7	13.50	11.70
TCHD36S41S3	FC/MC/PC48	21.0,24.5	1000-1400	1200	34.4	25.2	13.65	12.00
TCHD36S41S3	HD48	–	1000-1400	1200	34.2	25.0	13.65	11.85
TCHD48S41S3	CF/CM/CU48D	24.5	1400-1800	1600	47.0	34.2	13.00	11.00
TCHD48S41S3	CF/CM/CU60C	21.0	1400-1800	1600	48.0	36.2	13.25	11.00
TCHD48S41S3	CF/CM64D	24.5	1400-1800	1600	48.0	36.6	13.50	11.00
TCHD48S41S3	FC/MC/PC48	21.0,24.5	1400-1800	1600	47.0	33.8	13.25	11.50
TCHD48S41S3	FC/MC/PC60	21.0,24.5	1400-1800	1600	46.5	33.2	13.00	11.25
TCHD48S41S3	FC/MC62	24.5	1400-1800	1600	47.5	34.2	13.35	11.60
TCHD48S41S3	FC64	24.5	1400-1800	1600	48.5	35.4	13.50	11.75
TCHD60S41S3	CF/CM64D	24.5	1520-1920	1700	58.5	39.0	13.00	11.00
TCHD60S41S3	FC/MC62	24.5	1600-2000	1800	57.0	39.5	13.00	11.00
TCHD60S41S3	FC64	24.5	1600-2000	1800	58.5	41.5	13.25	11.25

For rated condition information, see the footnotes below the System Capacity - Single Piece and Modular Air Handlers table.

1. Systems matched with furnaces or air handlers not equipped with blower-off delays may require 60 second time delay.  
MA Modular Air Handlers use Coil Only Ratings.  
PSC furnaces, such as the TG8S, TGLS, and TG9S, use Coil Only Ratings.

**COOLING CAPACITY - With High Efficiency Motor Furnaces<sup>1</sup>**

UNIT MODEL	FURNACE		COIL MODEL <sup>2</sup>	COOLING				
	MODEL	WIDTH		RATED CFM	Net MBH		SEER	EER
					TOTAL	SENS.		
TCHD18S41S3	T*(8,L)C*A12	14.5	FC/MC/PC18A	620	18.1	13.9	14.50	12.05
TCHD18S41S3	T*(8,L)C*A12	14.5	FC/MC/PC24A	640	18.5	13.4	14.70	12.20
TCHD18S41S3	T*(8,L)C*A12	14.5	FC/MC/PC32A	590	18.4	13.1	14.55	12.20
TCHD18S41S3	T*(8,L)C*A12	14.5	FC/MC/PC37A	625	18.7	13.5	14.80	12.35
TCHD18S41S3	T*(8,L)C*A12	14.5	HD24	640	19.1	13.8	15.10	12.60
TCHD18S41S3	T*(8,L)C*A12	14.5	HD36	645	18.5	12.9	14.60	12.25
TCHD18S41S3	T*(8,L)C*A12	14.5	UC18A	620	18.2	14.0	14.55	12.10
TCHD18S41S3	T*(8,L)C*A12	14.5	UC24A	640	18.5	13.3	14.75	12.20
TCHD18S41S3	T*(8,L)C*B12	17.5	FC/MC/PC18B	580	17.9	13.7	14.50	12.05
TCHD18S41S3	T*(8,L)C*B12	17.5	FC/MC/PC24B	575	18.4	13.0	15.00	12.40
TCHD18S41S3	T*(8,L)C*B12	17.5	FC/MC/PC35B	650	18.6	13.4	14.70	12.30
TCHD18S41S3	T*(8,L)C*B12	17.5	HD24	575	19.0	13.4	15.30	12.75
TCHD18S41S3	T*(8,L)C*B12	17.5	HD36	650	18.5	12.9	14.70	12.30
TCHD18S41S3	T*(8,L)C*B12	17.5	UC18B	580	18.0	13.8	14.50	12.15
TCHD18S41S3	T*(8,L)C*B12	17.5	UC24B	575	18.4	13.1	15.00	12.45
TCHD18S41S3	T*(8,L)C*C16	21.0	FC/MC/PC35C	600	18.6	13.4	15.05	12.55
TCHD18S41S3	T*(8,L)C*C16	21.0	HD36	595	18.6	12.9	15.00	12.50
TCHD18S41S3	T*(8,L)V*A12	14.5	FC/MC/PC24A	640	18.5	13.4	14.70	12.20
TCHD18S41S3	T*(8,L)V*A12	14.5	FC/MC/PC32A	590	18.4	13.1	14.55	12.20
TCHD18S41S3	T*(8,L)V*A12	14.5	FC/MC/PC37A	625	18.7	13.5	14.80	12.35
TCHD18S41S3	T*(8,L)V*A12	14.5	HD24	640	19.1	13.8	15.10	12.60
TCHD18S41S3	T*(8,L)V*A12	14.5	HD36	645	18.5	12.9	14.60	12.25
TCHD18S41S3	T*(8,L)V*A12	14.5	UC24A	640	18.5	13.3	14.75	12.20
TCHD18S41S3	T*(8,L)V*B12	17.5	FC/MC/PC24B	575	18.4	13.0	15.00	12.40
TCHD18S41S3	T*(8,L)V*B12	17.5	FC/MC/PC35B	650	18.6	13.4	14.70	12.30
TCHD18S41S3	T*(8,L)V*B12	17.5	HD24	575	19.0	13.4	15.30	12.75
TCHD18S41S3	T*(8,L)V*B12	17.5	HD36	650	18.5	12.9	14.70	12.30
TCHD18S41S3	T*(8,L)V*B12	17.5	UC24B	575	18.4	13.1	15.00	12.45
TCHD18S41S3	T*(8,L)V*C16	21.0	FC/MC/PC35C	600	18.6	13.4	15.05	12.55
TCHD18S41S3	T*(8,L)V*C16	21.0	HD36	595	18.6	12.9	15.00	12.50
TCHD18S41S3	T*9(C,V)*B12	17.5	FC/MC/PC24B	610	18.5	13.4	14.85	12.30
TCHD18S41S3	T*9(C,V)*B12	17.5	FC/MC/PC35B	570	18.4	12.9	14.70	12.30
TCHD18S41S3	T*9(C,V)*B12	17.5	HD24	610	19.2	13.9	15.20	12.70
TCHD18S41S3	T*9(C,V)*B12	17.5	HD36	635	18.5	12.9	14.75	12.35
TCHD18S41S3	T*9(C,V)*B12	17.5	UC24B	610	18.5	13.3	14.85	12.40
TCHD18S41S3	T*9(C,V)*C16	21.0	FC/MC/PC35C	645	18.6	13.4	14.85	12.40
TCHD18S41S3	T*9(C,V)*C16	21.0	HD36	595	18.6	12.9	15.00	12.50
TCHD18S41S3	T*9V*A10	14.5	FC/MC/PC18A	580	17.8	12.3	13.75	11.50
TCHD18S41S3	T*9V*A10	14.5	FC/MC/PC24A	575	18.3	12.9	14.25	11.75
TCHD18S41S3	T*9V*A10	14.5	FC/MC/PC32A	580	18.2	12.8	14.25	11.75
TCHD18S41S3	T*9V*A10	14.5	FC/MC/PC37A	570	18.5	12.8	14.50	11.75
TCHD18S41S3	TM8X060A12MP11	14.5	FC/MC/PC18A	600	18.0	12.6	14.00	11.25
TCHD18S41S3	TM8X060A12MP11	14.5	FC/MC/PC24A	600	18.4	13.0	14.60	11.85
TCHD18S41S3	TM8X060A12MP11	14.5	FC/MC/PC32A	600	18.4	13.0	14.55	11.80
TCHD18S41S3	TM8X060A12MP11	14.5	FC/MC/PC37A	600	18.6	13.1	14.50	11.50
TCHD18S41S3	TM8X060A12MP11	14.5	UC18A	600	18.1	12.7	14.00	11.25
TCHD18S41S3	TM8X060A12MP11	14.5	UC24A	600	18.5	13.0	14.60	11.90
TCHD18S41S3	TM8X080B12MP11	17.5	FC/MC/PC18B	600	17.9	12.6	13.75	11.25
TCHD18S41S3	TM8X080B12MP11	17.5	FC/MC/PC24B	600	18.3	12.9	14.50	11.75
TCHD18S41S3	TM8X080B12MP11	17.5	FC/MC/PC35B	600	18.4	13.0	14.00	11.50
TCHD18S41S3	TM8X080B12MP11	17.5	UC18B	600	18.1	12.7	14.00	11.25
TCHD18S41S3	TM8X080B12MP11	17.5	UC24B	600	18.4	12.9	14.50	11.80
TCHD18S41S3	TM8X080C16MP11	21.0	FC/MC/PC35C	600	18.4	13.0	14.00	11.50

**COOLING CAPACITY - With High Efficiency Motor Furnaces<sup>1</sup> (Continued)**

UNIT MODEL	FURNACE		COIL MODEL <sup>2</sup>	COOLING				
	MODEL	WIDTH		RATED CFM	Net MBH		SEER	EER
					TOTAL	SENS.		
TCHD18S41S3	TM8X100C16MP11	21.0	FC/MC/PC35C	600	18.4	13.0	14.00	11.50
TCHD18S41S3	TM9E040A10MP11	14.5	FC/MC/PC18A	600	17.7	12.4	13.35	10.90
TCHD18S41S3	TM9E040A10MP11	14.5	FC/MC/PC24A	600	18.1	12.7	13.45	11.00
TCHD18S41S3	TM9E040A10MP11	14.5	FC/MC/PC32A	600	18.1	12.8	13.50	11.05
TCHD18S41S3	TM9E040A10MP11	14.5	FC/MC/PC37A	600	18.3	12.9	13.65	11.15
TCHD18S41S3	TM9E060B12MP11	17.5	FC/MC/PC18B	600	17.9	12.6	13.75	11.00
TCHD18S41S3	TM9E060B12MP11	17.5	FC/MC/PC24B	600	18.3	12.9	14.35	11.65
TCHD18S41S3	TM9E060B12MP11	17.5	FC/MC/PC35B	600	18.3	13.0	14.00	11.25
TCHD18S41S3	TM9E060B12MP11	17.5	UC18B	600	18.1	12.6	13.75	11.25
TCHD18S41S3	TM9E060B12MP11	17.5	UC24B	600	18.4	12.9	14.30	11.70
TCHD18S41S3	TM9E080B12MP11	17.5	FC/MC/PC18B	600	17.9	12.6	13.75	11.00
TCHD18S41S3	TM9E080B12MP11	17.5	FC/MC/PC24B	600	18.3	12.9	14.35	11.65
TCHD18S41S3	TM9E080B12MP11	17.5	FC/MC/PC35B	600	18.3	13.0	14.00	11.25
TCHD18S41S3	TM9E080B12MP11	17.5	UC18B	600	18.1	12.6	13.75	11.25
TCHD18S41S3	TM9E080B12MP11	17.5	UC24B	600	18.4	12.9	14.30	11.70
TCHD18S41S3	TM9E080C16MP11	21.0	FC/MC/PC35C	600	18.4	13.1	14.50	11.75
TCHD18S41S3	TM9E100C16MP11	21.0	FC/MC/PC35C	600	18.4	13.1	14.50	11.75
TCHD18S41S3	TM9X040A10MP11	14.5	FC/MC/PC18A	600	17.7	12.4	13.35	10.90
TCHD18S41S3	TM9X040A10MP11	14.5	FC/MC/PC24A	600	18.1	12.7	13.45	11.00
TCHD18S41S3	TM9X040A10MP11	14.5	FC/MC/PC32A	600	18.1	12.8	13.50	11.05
TCHD18S41S3	TM9X040A10MP11	14.5	FC/MC/PC37A	600	18.3	12.9	13.65	11.15
TCHD18S41S3	TM9X060B12MP11	17.5	FC/MC/PC18B	600	17.9	12.6	13.75	11.00
TCHD18S41S3	TM9X060B12MP11	17.5	FC/MC/PC24B	600	18.3	12.9	14.35	11.65
TCHD18S41S3	TM9X060B12MP11	17.5	FC/MC/PC35B	600	18.3	13.0	14.00	11.25
TCHD18S41S3	TM9X060B12MP11	17.5	UC18B	600	18.1	12.6	13.75	11.25
TCHD18S41S3	TM9X060B12MP11	17.5	UC24B	600	18.4	12.9	14.30	11.70
TCHD18S41S3	TM9X080B12MP11	17.5	FC/MC/PC18B	600	17.9	12.6	13.75	11.00
TCHD18S41S3	TM9X080B12MP11	17.5	FC/MC/PC24B	600	18.3	12.9	14.35	11.65
TCHD18S41S3	TM9X080B12MP11	17.5	FC/MC/PC35B	600	18.3	13.0	14.00	11.25
TCHD18S41S3	TM9X080B12MP11	17.5	UC18B	600	18.1	12.6	13.75	11.25
TCHD18S41S3	TM9X080B12MP11	17.5	UC24B	600	18.4	12.9	14.30	11.70
TCHD18S41S3	TM9X080C16MP11	21.0	FC/MC/PC35C	600	18.4	13.1	14.50	11.75
TCHD18S41S3	TM9X100C16MP11	21.0	FC/MC/PC35C	600	18.4	13.1	14.50	11.75
TCHD18S41S3	TMLX060A12MP11	14.5	FC/MC/PC18A	600	18.0	12.6	14.00	11.25
TCHD18S41S3	TMLX060A12MP11	14.5	FC/MC/PC24A	600	18.4	13.0	14.60	11.85
TCHD18S41S3	TMLX060A12MP11	14.5	FC/MC/PC32A	600	18.4	13.0	14.55	11.80
TCHD18S41S3	TMLX060A12MP11	14.5	FC/MC/PC37A	600	18.6	13.1	14.50	11.50
TCHD18S41S3	TMLX060A12MP11	14.5	UC18A	600	18.1	12.7	14.00	11.25
TCHD18S41S3	TMLX060A12MP11	14.5	UC24A	600	18.5	13.0	14.60	11.90
TCHD18S41S3	TMLX080B12MP11	17.5	FC/MC/PC18B	600	17.9	12.6	13.75	11.25
TCHD18S41S3	TMLX080B12MP11	17.5	FC/MC/PC24B	600	18.3	12.9	14.50	11.75
TCHD18S41S3	TMLX080B12MP11	17.5	FC/MC/PC35B	600	18.4	13.0	14.00	11.50
TCHD18S41S3	TMLX080B12MP11	17.5	UC18B	600	18.1	12.7	14.00	11.25
TCHD18S41S3	TMLX080B12MP11	17.5	UC24B	600	18.4	12.9	14.50	11.80
TCHD18S41S3	TMLX080C16MP11	21.0	FC/MC/PC35C	600	18.4	13.0	14.00	11.50
TCHD18S41S3	TMLX100C16MP11	21.0	FC/MC/PC35C	600	18.4	13.0	14.00	11.50
TCHD18S41S3	Y*(8,L)C*A12	14.5	FC/MC/PC24A	640	18.5	13.4	14.70	12.20
TCHD18S41S3	Y*(8,L)C*A12	14.5	FC/MC/PC32A	590	18.4	13.1	14.55	12.20
TCHD18S41S3	Y*(8,L)C*A12	14.5	FC/MC/PC37A	625	18.7	13.5	14.80	12.35
TCHD18S41S3	Y*(8,L)C*A12	14.5	HD24	640	19.1	13.8	15.10	12.60
TCHD18S41S3	Y*(8,L)C*A12	14.5	HD36	645	18.5	12.9	14.60	12.25
TCHD18S41S3	Y*(8,L)C*A12	14.5	UC24A	640	18.5	13.3	14.75	12.20
TCHD18S41S3	Y*(8,L)C*B12	17.5	FC/MC/PC24B	575	18.4	13.0	15.00	12.40

**COOLING CAPACITY - With High Efficiency Motor Furnaces<sup>1</sup> (Continued)**

UNIT MODEL	FURNACE		COIL MODEL <sup>2</sup>	COOLING				
	MODEL	WIDTH		RATED CFM	Net MBH		SEER	EER
					TOTAL	SENS.		
TCHD18S41S3	Y*(8,L)C*B12	17.5	FC/MC/PC35B	650	18.6	13.4	14.70	12.30
TCHD18S41S3	Y*(8,L)C*B12	17.5	HD24	575	19.0	13.4	15.30	12.75
TCHD18S41S3	Y*(8,L)C*B12	17.5	HD36	650	18.5	12.9	14.70	12.30
TCHD18S41S3	Y*(8,L)C*B12	17.5	UC24B	575	18.4	13.1	15.00	12.45
TCHD18S41S3	Y*(8,L)C*C16	21.0	FC/MC/PC35C	600	18.6	13.4	15.05	12.55
TCHD18S41S3	Y*(8,L)C*C16	21.0	HD36	595	18.6	12.9	15.00	12.50
TCHD18S41S3	Y*9C*B12	17.5	FC/MC/PC24B	610	18.5	13.4	14.85	12.30
TCHD18S41S3	Y*9C*B12	17.5	FC/MC/PC35B	570	18.4	12.9	14.70	12.30
TCHD18S41S3	Y*9C*B12	17.5	HD24	610	19.2	13.9	15.20	12.70
TCHD18S41S3	Y*9C*B12	17.5	HD36	635	18.5	12.9	14.75	12.35
TCHD18S41S3	Y*9C*B12	17.5	UC24B	610	18.5	13.3	14.85	12.40
TCHD18S41S3	Y*9C*C16	21.0	FC/MC/PC35C	645	18.6	13.4	14.85	12.40
TCHD18S41S3	Y*9C*C16	21.0	HD36	595	18.6	12.9	15.00	12.50
TCHD24S41S4	TL8E060A12UH11	14.5	CF/CM/CU30A	650	23.8	17.4	14.75	12.50
TCHD24S41S4	TL8E060A12UH11	14.5	CF/CM/CU30B	700	23.8	18.0	15.00	12.50
TCHD24S41S4	TL8E060A12UH11	14.5	CF/CM/CU36B	700	23.8	18.2	15.00	12.50
TCHD24S41S4	TL8E060A12UH11	14.5	CF/CM36A	625	23.8	17.2	14.75	12.50
TCHD24S41S4	TL8E080C16UH11	21.0	CF/CM30C	950	23.8	21.2	15.00	12.50
TCHD24S41S4	TL9E060B12UH11	17.5	CF/CM/CU30B	675	23.8	17.7	14.75	12.50
TCHD24S41S4	TL9E060B12UH11	17.5	CF/CM/CU36B	650	23.8	17.6	14.75	12.50
TCHD24S41S4	TL9E060B12UH11	17.5	CF/CM/CU36C	700	23.8	18.2	15.00	12.50
TCHD24S41S4	TL9E060B12UH11	17.5	CF/CM30C	700	23.8	18.0	14.75	12.50
TCHD24S41S4	TL9E080C16UH11	21.0	CF/CM/CU36C	925	23.8	21.0	15.25	12.50
TCHD24S41S4	TL9E080C16UH11	21.0	CF/CM30C	925	23.8	20.7	15.25	12.50
TCHD24S41S4	TL9E080C16UH11	21.0	CF/CM36D	925	23.8	21.0	15.25	12.50
TCHD24S41S4	TM8E040A12MP11	14.5	CF/CM/CU30A	725	23.8	18.5	14.75	12.50
TCHD24S41S4	TM8E040A12MP11	14.5	CF/CM/CU30B	775	23.8	19.0	15.00	12.50
TCHD24S41S4	TM8E040A12MP11	14.5	CF/CM/CU36B	775	23.8	19.3	15.25	12.50
TCHD24S41S4	TM8E040A12MP11	14.5	CF/CM36A	725	23.8	18.6	15.00	12.50
TCHD24S41S4	TM8E060A12MP11	14.5	CF/CM/CU30A	725	23.8	18.5	14.75	12.50
TCHD24S41S4	TM8E060A12MP11	14.5	CF/CM/CU30B	750	23.8	18.8	15.00	12.50
TCHD24S41S4	TM8E060A12MP11	14.5	CF/CM/CU36B	825	23.8	19.9	15.00	12.50
TCHD24S41S4	TM8E060A12MP11	14.5	CF/CM36A	725	23.8	18.6	15.00	12.50
TCHD24S41S4	TM8E080B12MP11	17.5	CF/CM/CU30B	725	23.8	18.4	15.00	12.50
TCHD24S41S4	TM8E080B12MP11	17.5	CF/CM/CU36B	725	23.8	18.6	15.00	12.50
TCHD24S41S4	TM8E080B12MP11	17.5	CF/CM/CU36C	750	23.8	18.8	15.00	12.50
TCHD24S41S4	TM8E080B12MP11	17.5	CF/CM30C	750	23.8	18.8	15.00	12.50
TCHD24S41S4	TM8E080C16MP11	21.0	CF/CM/CU36C	825	23.8	19.9	15.25	12.50
TCHD24S41S4	TM8E080C16MP11	21.0	CF/CM30C	825	23.8	19.6	15.25	12.50
TCHD24S41S4	TM8E080C16MP11	21.0	CF/CM36D	825	23.8	19.9	15.25	12.50
TCHD24S41S4	TM8E100B12MP11	17.5	CF/CM/CU30B	850	23.8	20.2	15.00	12.50
TCHD24S41S4	TM8E100B12MP11	17.5	CF/CM/CU36B	725	23.8	18.6	15.25	12.50
TCHD24S41S4	TM8E100B12MP11	17.5	CF/CM/CU36C	725	23.8	18.6	15.25	12.50
TCHD24S41S4	TM8E100B12MP11	17.5	CF/CM30C	850	23.8	20.2	15.00	12.50
TCHD24S41S4	TM8E100C16MP11	21.0	CF/CM/CU36C	800	23.8	19.7	15.25	12.50
TCHD24S41S4	TM8E100C16MP11	21.0	CF/CM30C	800	23.8	19.5	15.25	12.50
TCHD24S41S4	TM8E100C16MP11	21.0	CF/CM36D	800	23.8	19.7	15.25	12.50
TCHD24S41S4	TM8E120C16MP11	21.0	CF/CM/CU36C	825	23.8	19.9	15.50	12.75
TCHD24S41S4	TM8E120C16MP11	21.0	CF/CM30C	800	23.8	19.3	15.25	12.50
TCHD24S41S4	TM8E120C16MP11	21.0	CF/CM36D	825	23.8	19.9	15.50	12.75
TCHD24S41S4	TM8V060A12MP12C	14.5	CF/CM/CU30A	625	23.4	17.0	14.75	11.50
TCHD24S41S4	TM8V060A12MP12C	14.5	CF/CM/CU30B	700	23.4	18.0	15.00	12.50
TCHD24S41S4	TM8V060A12MP12C	14.5	CF/CM/CU36B	700	23.4	18.2	14.25	11.75

**COOLING CAPACITY - With High Efficiency Motor Furnaces<sup>1</sup> (Continued)**

UNIT MODEL	FURNACE		COIL MODEL <sup>2</sup>	COOLING				
	MODEL	WIDTH		RATED CFM	Net MBH		SEER	EER
					TOTAL	SENS.		
TCHD24S41S4	TM8V060A12MP12C	14.5	CF/CM36A	725	23.4	18.6	14.00	12.50
TCHD24S41S4	TM8V080B12MP12C	17.5	CF/CM/CU30B	675	23.4	17.6	14.75	12.25
TCHD24S41S4	TM8V080B12MP12C	17.5	CF/CM/CU36B	675	23.4	17.8	14.00	11.50
TCHD24S41S4	TM8V080B12MP12C	17.5	CF/CM/CU36C	675	23.4	17.8	14.00	11.50
TCHD24S41S4	TM8V080B12MP12C	17.5	CF/CM30C	725	23.4	18.5	14.00	11.50
TCHD24S41S4	TM8V080C16MP12C	21.0	CF/CM/CU36C	875	23.4	20.6	14.50	12.00
TCHD24S41S4	TM8V080C16MP12C	21.0	CF/CM30C	875	23.4	19.7	14.00	11.50
TCHD24S41S4	TM8V080C16MP12C	21.0	CF/CM36D	875	23.8	19.9	14.00	11.75
TCHD24S41S4	TM8V100C16MP12C	21.0	CF/CM/CU36C	875	23.4	20.6	14.50	12.00
TCHD24S41S4	TM8V100C16MP12C	21.0	CF/CM30C	875	23.4	19.7	14.00	11.50
TCHD24S41S4	TM8V100C16MP12C	21.0	CF/CM36D	875	23.8	19.9	14.00	11.75
TCHD24S41S4	TM8X060A12MP11	14.5	CF/CM/CU30A	625	23.4	17.0	14.75	11.50
TCHD24S41S4	TM8X060A12MP11	14.5	CF/CM/CU30B	650	23.4	17.5	14.75	12.25
TCHD24S41S4	TM8X060A12MP11	14.5	CF/CM/CU36B	650	23.4	17.6	14.25	11.75
TCHD24S41S4	TM8X060A12MP11	14.5	CF/CM36A	700	23.4	18.3	14.00	12.50
TCHD24S41S4	TM8X080B12MP11	17.5	CF/CM/CU30B	775	23.4	19.0	15.00	12.50
TCHD24S41S4	TM8X080B12MP11	17.5	CF/CM/CU36B	775	23.4	19.2	14.25	11.75
TCHD24S41S4	TM8X080B12MP11	17.5	CF/CM/CU36C	700	23.4	18.2	14.50	12.00
TCHD24S41S4	TM8X080B12MP11	17.5	CF/CM30C	775	23.4	19.0	14.25	11.75
TCHD24S41S4	TM8X080C16MP11	21.0	CF/CM/CU36C	700	23.4	18.2	14.50	12.00
TCHD24S41S4	TM8X080C16MP11	21.0	CF/CM30C	700	23.6	17.7	13.75	11.50
TCHD24S41S4	TM8X080C16MP11	21.0	CF/CM36D	725	23.8	18.3	14.00	11.75
TCHD24S41S4	TM8X100C16MP11	21.0	CF/CM/CU36C	700	23.4	18.2	14.50	12.00
TCHD24S41S4	TM8X100C16MP11	21.0	CF/CM30C	700	23.6	17.7	13.75	11.50
TCHD24S41S4	TM8X100C16MP11	21.0	CF/CM36D	725	23.8	18.3	14.00	11.75
TCHD24S41S4	TM8Y060A12MP11	14.5	CF/CM/CU30A	625	23.4	17.0	14.75	11.50
TCHD24S41S4	TM8Y060A12MP11	14.5	CF/CM/CU30B	650	23.4	17.5	14.75	12.25
TCHD24S41S4	TM8Y060A12MP11	14.5	CF/CM/CU36B	650	23.4	17.6	14.25	11.75
TCHD24S41S4	TM8Y060A12MP11	14.5	CF/CM36A	700	23.4	18.3	14.00	12.50
TCHD24S41S4	TM8Y080B12MP11	17.5	CF/CM/CU30B	775	23.4	19.0	15.00	12.50
TCHD24S41S4	TM8Y080B12MP11	17.5	CF/CM/CU36B	775	23.4	19.2	14.25	11.75
TCHD24S41S4	TM8Y080B12MP11	17.5	CF/CM/CU36C	700	23.4	18.2	14.50	12.00
TCHD24S41S4	TM8Y080B12MP11	17.5	CF/CM30C	775	23.4	19.0	14.25	11.75
TCHD24S41S4	TM8Y080C16MP11	21.0	CF/CM/CU36C	700	23.4	18.2	14.50	12.00
TCHD24S41S4	TM8Y080C16MP11	21.0	CF/CM30C	700	23.6	17.7	13.75	11.50
TCHD24S41S4	TM8Y080C16MP11	21.0	CF/CM36D	725	23.8	18.3	14.00	11.75
TCHD24S41S4	TM8Y100C16MP11	21.0	CF/CM/CU36C	700	23.4	18.2	14.50	12.00
TCHD24S41S4	TM8Y100C16MP11	21.0	CF/CM30C	700	23.6	17.7	13.75	11.50
TCHD24S41S4	TM8Y100C16MP11	21.0	CF/CM36D	725	23.8	18.3	14.00	11.75
TCHD24S41S4	TM9E040A10MP11	14.5	CF/CM/CU30A	675	23.4	17.5	14.00	11.50
TCHD24S41S4	TM9E040A10MP11	14.5	CF/CM/CU30B	700	23.4	17.9	14.00	11.75
TCHD24S41S4	TM9E040A10MP11	14.5	CF/CM/CU36B	700	23.4	18.1	13.50	11.00
TCHD24S41S4	TM9E040A10MP11	14.5	CF/CM36A	675	23.4	17.6	14.25	12.00
TCHD24S41S4	TM9E040A10MP12	14.5	CF/CM/CU30A	600	23.4	16.6	14.25	12.25
TCHD24S41S4	TM9E040A10MP12	14.5	CF/CM/CU30B	675	23.8	17.7	14.50	12.25
TCHD24S41S4	TM9E040A10MP12	14.5	CF/CM/CU36B	625	23.8	17.2	14.50	12.50
TCHD24S41S4	TM9E040A10MP12	14.5	CF/CM36A	675	23.8	17.8	14.50	12.25
TCHD24S41S4	TM9E060A10MP12	14.5	CF/CM/CU30A	675	23.8	17.7	14.50	12.25
TCHD24S41S4	TM9E060A10MP12	14.5	CF/CM/CU30B	700	23.8	18.1	14.75	12.50
TCHD24S41S4	TM9E060A10MP12	14.5	CF/CM/CU36B	700	23.8	18.1	14.75	12.50
TCHD24S41S4	TM9E060A10MP12	14.5	CF/CM36A	675	23.8	17.8	14.50	12.25
TCHD24S41S4	TM9E060B12MP11	17.5	CF/CM/CU30B	675	23.4	17.6	14.75	12.25
TCHD24S41S4	TM9E060B12MP11	17.5	CF/CM/CU36B	675	23.4	17.8	14.00	11.50



**COOLING CAPACITY - With High Efficiency Motor Furnaces<sup>1</sup> (Continued)**

UNIT MODEL	FURNACE		COIL MODEL <sup>2</sup>	COOLING				
	MODEL	WIDTH		RATED CFM	Net MBH		SEER	EER
					TOTAL	SENS.		
TCHD24S41S4	TM9E060B12MP11	17.5	CF/CM/CU36C	700	23.4	18.2	14.25	11.75
TCHD24S41S4	TM9E060B12MP11	17.5	CF/CM30C	675	23.4	17.6	14.00	11.50
TCHD24S41S4	TM9E060B12MP12	17.5	CF/CM/CU30B	750	23.8	18.7	14.75	12.50
TCHD24S41S4	TM9E060B12MP12	17.5	CF/CM/CU36B	750	23.8	18.8	14.75	12.50
TCHD24S41S4	TM9E060B12MP12	17.5	CF/CM/CU36C	750	23.8	18.8	14.75	12.50
TCHD24S41S4	TM9E060B12MP12	17.5	CF/CM30C	750	23.8	18.7	14.75	12.50
TCHD24S41S4	TM9E080B12MP11	17.5	CF/CM/CU30B	700	23.4	18.0	15.00	12.50
TCHD24S41S4	TM9E080B12MP11	17.5	CF/CM/CU36B	700	23.4	18.2	14.25	11.75
TCHD24S41S4	TM9E080B12MP11	17.5	CF/CM/CU36C	700	23.4	18.2	14.25	11.75
TCHD24S41S4	TM9E080B12MP11	17.5	CF/CM30C	700	23.4	18.0	14.25	11.75
TCHD24S41S4	TM9E080B12MP12	17.5	CF/CM/CU30B	800	23.8	19.3	15.00	12.50
TCHD24S41S4	TM9E080B12MP12	17.5	CF/CM/CU36B	800	23.8	19.6	15.00	12.50
TCHD24S41S4	TM9E080B12MP12	17.5	CF/CM/CU36C	825	23.8	19.9	15.00	12.50
TCHD24S41S4	TM9E080B12MP12	17.5	CF/CM30C	825	23.8	19.4	15.00	12.50
TCHD24S41S4	TM9E080C16MP11	21.0	CF/CM/CU36C	600	23.4	16.9	14.25	11.75
TCHD24S41S4	TM9E080C16MP11	21.0	CF/CM30C	600	23.4	16.7	14.00	11.50
TCHD24S41S4	TM9E080C16MP11	21.0	CF/CM36D	600	23.6	16.9	14.25	11.75
TCHD24S41S4	TM9E080C16MP12	21.0	CF/CM/CU36C	750	23.8	18.8	15.25	12.50
TCHD24S41S4	TM9E080C16MP12	21.0	CF/CM30C	750	23.8	18.8	15.25	12.50
TCHD24S41S4	TM9E080C16MP12	21.0	CF/CM36D	750	23.8	18.8	15.25	12.50
TCHD24S41S4	TM9E100C16MP11	21.0	CF/CM/CU36C	650	23.2	17.2	13.75	11.50
TCHD24S41S4	TM9E100C16MP11	21.0	CF/CM30C	625	23.0	16.5	13.75	11.25
TCHD24S41S4	TM9E100C16MP11	21.0	CF/CM36D	650	23.2	17.2	13.75	11.50
TCHD24S41S4	TM9E100C16MP12	21.0	CF/CM/CU36C	800	23.8	19.7	15.25	12.50
TCHD24S41S4	TM9E100C16MP12	21.0	CF/CM30C	800	23.8	19.3	15.25	12.50
TCHD24S41S4	TM9E100C16MP12	21.0	CF/CM36D	800	23.8	19.7	15.25	12.50
TCHD24S41S4	TM9V040A10MP12C	14.5	CF/CM/CU30A	625	23.4	16.8	14.25	11.50
TCHD24S41S4	TM9V040A10MP12C	14.5	CF/CM/CU30B	625	23.4	17.0	14.25	12.00
TCHD24S41S4	TM9V040A10MP12C	14.5	CF/CM/CU36B	650	23.8	17.7	14.75	12.25
TCHD24S41S4	TM9V040A10MP12C	14.5	CF/CM36A	650	23.4	17.5	14.50	12.25
TCHD24S41S4	TM9V060B12MP12C	17.5	CF/CM/CU30B	700	23.4	18.1	14.75	12.25
TCHD24S41S4	TM9V060B12MP12C	17.5	CF/CM/CU36B	700	23.8	18.2	15.00	12.50
TCHD24S41S4	TM9V060B12MP12C	17.5	CF/CM/CU36C	700	23.4	18.2	14.00	11.75
TCHD24S41S4	TM9V060B12MP12C	17.5	CF/CM30C	700	23.4	18.0	14.00	11.50
TCHD24S41S4	TM9V080B12MP12C	17.5	CF/CM/CU30B	800	23.4	19.3	15.50	12.50
TCHD24S41S4	TM9V080B12MP12C	17.5	CF/CM/CU36B	800	23.8	19.6	15.25	12.75
TCHD24S41S4	TM9V080B12MP12C	17.5	CF/CM/CU36C	850	23.4	20.2	14.25	11.75
TCHD24S41S4	TM9V080B12MP12C	17.5	CF/CM30C	725	23.4	18.4	14.25	11.75
TCHD24S41S4	TM9V080C16MP12C	21.0	CF/CM/CU36C	950	23.4	21.5	14.25	11.75
TCHD24S41S4	TM9V080C16MP12C	21.0	CF/CM30C	950	23.4	21.0	14.25	11.75
TCHD24S41S4	TM9V080C16MP12C	21.0	CF/CM36D	950	23.8	21.5	14.50	11.75
TCHD24S41S4	TM9V100C16MP12C	21.0	CF/CM/CU36C	900	23.4	20.8	14.75	12.00
TCHD24S41S4	TM9V100C16MP12C	21.0	CF/CM30C	900	23.4	20.1	14.00	11.50
TCHD24S41S4	TM9V100C16MP12C	21.0	CF/CM36D	900	23.8	20.1	14.00	11.50
TCHD24S41S4	TM9Y040A10MP11	14.5	CF/CM/CU30A	675	23.4	17.5	14.00	11.50
TCHD24S41S4	TM9Y040A10MP11	14.5	CF/CM/CU30B	700	23.4	17.9	14.00	11.75
TCHD24S41S4	TM9Y040A10MP11	14.5	CF/CM/CU36B	700	23.4	18.1	13.50	11.00
TCHD24S41S4	TM9Y040A10MP11	14.5	CF/CM36A	675	23.4	17.6	14.25	12.00
TCHD24S41S4	TM9Y060B12MP11	17.5	CF/CM/CU30B	675	23.4	17.6	14.75	12.25
TCHD24S41S4	TM9Y060B12MP11	17.5	CF/CM/CU36B	675	23.4	17.8	14.00	11.50
TCHD24S41S4	TM9Y060B12MP11	17.5	CF/CM/CU36C	700	23.4	18.2	14.25	11.75
TCHD24S41S4	TM9Y060B12MP11	17.5	CF/CM30C	675	23.4	17.6	14.00	11.50
TCHD24S41S4	TM9Y080B12MP11	17.5	CF/CM/CU30B	700	23.4	18.0	15.00	12.50

**COOLING CAPACITY - With High Efficiency Motor Furnaces<sup>1</sup> (Continued)**

UNIT MODEL	FURNACE		COIL MODEL <sup>2</sup>	COOLING				
	MODEL	WIDTH		RATED CFM	Net MBH		SEER	EER
					TOTAL	SENS.		
TCHD24S41S4	TM9Y080B12MP11	17.5	CF/CM/CU36B	700	23.4	18.2	14.25	11.75
TCHD24S41S4	TM9Y080B12MP11	17.5	CF/CM/CU36C	700	23.4	18.2	14.25	11.75
TCHD24S41S4	TM9Y080B12MP11	17.5	CF/CM30C	700	23.4	18.0	14.25	11.75
TCHD24S41S4	TM9Y080C16MP11	21.0	CF/CM/CU36C	600	23.4	16.9	14.25	11.75
TCHD24S41S4	TM9Y080C16MP11	21.0	CF/CM30C	600	23.4	16.7	14.00	11.50
TCHD24S41S4	TM9Y080C16MP11	21.0	CF/CM36D	600	23.6	16.9	14.25	11.75
TCHD24S41S4	TM9Y100C16MP11	21.0	CF/CM/CU36C	650	23.2	17.2	13.75	11.50
TCHD24S41S4	TM9Y100C16MP11	21.0	CF/CM30C	625	23.0	16.5	13.75	11.25
TCHD24S41S4	TM9Y100C16MP11	21.0	CF/CM36D	650	23.2	17.2	13.75	11.50
TCHD24S41S4	TMLE040A12MP11	14.5	CF/CM/CU30A	725	23.8	18.5	14.75	12.50
TCHD24S41S4	TMLE040A12MP11	14.5	CF/CM/CU30B	775	23.8	19.0	15.00	12.50
TCHD24S41S4	TMLE040A12MP11	14.5	CF/CM/CU36B	775	23.8	19.3	15.25	12.50
TCHD24S41S4	TMLE040A12MP11	14.5	CF/CM36A	725	23.8	18.6	15.00	12.50
TCHD24S41S4	TMLE060A12MP11	14.5	CF/CM/CU30A	725	23.8	18.5	14.75	12.50
TCHD24S41S4	TMLE060A12MP11	14.5	CF/CM/CU30B	750	23.8	18.8	15.00	12.50
TCHD24S41S4	TMLE060A12MP11	14.5	CF/CM/CU36B	825	23.8	19.9	15.00	12.50
TCHD24S41S4	TMLE060A12MP11	14.5	CF/CM36A	725	23.8	18.6	15.00	12.50
TCHD24S41S4	TMLE080B12MP11	17.5	CF/CM/CU30B	725	23.8	18.4	15.00	12.50
TCHD24S41S4	TMLE080B12MP11	17.5	CF/CM/CU36B	725	23.8	18.6	15.00	12.50
TCHD24S41S4	TMLE080B12MP11	17.5	CF/CM/CU36C	750	23.8	18.8	15.00	12.50
TCHD24S41S4	TMLE080B12MP11	17.5	CF/CM30C	750	23.8	18.8	15.00	12.50
TCHD24S41S4	TMLE080C16MP11	21.0	CF/CM/CU36C	825	23.8	19.9	15.25	12.50
TCHD24S41S4	TMLE080C16MP11	21.0	CF/CM30C	825	23.8	19.6	15.25	12.50
TCHD24S41S4	TMLE080C16MP11	21.0	CF/CM36D	825	23.8	19.9	15.25	12.50
TCHD24S41S4	TMLE100B12MP11	17.5	CF/CM/CU30B	850	23.8	20.2	15.00	12.50
TCHD24S41S4	TMLE100B12MP11	17.5	CF/CM/CU36B	725	23.8	18.6	15.25	12.50
TCHD24S41S4	TMLE100B12MP11	17.5	CF/CM/CU36C	725	23.8	18.6	15.25	12.50
TCHD24S41S4	TMLE100B12MP11	17.5	CF/CM30C	850	23.8	20.2	15.00	12.50
TCHD24S41S4	TMLE100C16MP11	21.0	CF/CM/CU36C	800	23.8	19.7	15.25	12.50
TCHD24S41S4	TMLE100C16MP11	21.0	CF/CM30C	800	23.8	19.5	15.25	12.50
TCHD24S41S4	TMLE100C16MP11	21.0	CF/CM36D	800	23.8	19.7	15.25	12.50
TCHD24S41S4	TMLE120C16MP11	21.0	CF/CM/CU36C	825	23.8	19.9	15.50	12.75
TCHD24S41S4	TMLE120C16MP11	21.0	CF/CM30C	800	23.8	19.3	15.25	12.50
TCHD24S41S4	TMLE120C16MP11	21.0	CF/CM36D	825	23.8	19.9	15.50	12.75
TCHD24S41S4	TMLV060A12MP12C	14.5	CF/CM/CU30A	625	23.4	17.0	14.75	11.50
TCHD24S41S4	TMLV060A12MP12C	14.5	CF/CM/CU30B	700	23.4	18.0	15.00	12.50
TCHD24S41S4	TMLV060A12MP12C	14.5	CF/CM/CU36B	700	23.4	18.2	14.25	11.75
TCHD24S41S4	TMLV060A12MP12C	14.5	CF/CM36A	725	23.4	18.6	14.00	12.50
TCHD24S41S4	TMLV080B12MP12C	17.5	CF/CM/CU30B	675	23.4	17.6	14.75	12.25
TCHD24S41S4	TMLV080B12MP12C	17.5	CF/CM/CU36B	675	23.4	17.8	14.00	11.50
TCHD24S41S4	TMLV080B12MP12C	17.5	CF/CM/CU36C	675	23.4	17.8	14.00	11.50
TCHD24S41S4	TMLV080B12MP12C	17.5	CF/CM30C	725	23.4	18.5	14.00	11.50
TCHD24S41S4	TMLV080C16MP12C	21.0	CF/CM/CU36C	875	23.4	20.6	14.50	12.00
TCHD24S41S4	TMLV080C16MP12C	21.0	CF/CM30C	875	23.4	19.7	14.00	11.50
TCHD24S41S4	TMLV080C16MP12C	21.0	CF/CM36D	875	23.8	19.9	14.00	11.75
TCHD24S41S4	TMLV100C16MP12C	21.0	CF/CM/CU36C	875	23.4	20.6	14.50	12.00
TCHD24S41S4	TMLV100C16MP12C	21.0	CF/CM30C	875	23.4	19.7	14.00	11.50
TCHD24S41S4	TMLV100C16MP12C	21.0	CF/CM36D	875	23.8	19.9	14.00	11.75
TCHD24S41S4	TMLX060A12MP11	14.5	CF/CM/CU30A	625	23.4	17.0	14.75	11.50
TCHD24S41S4	TMLX060A12MP11	14.5	CF/CM/CU30B	650	23.4	17.5	14.75	12.25
TCHD24S41S4	TMLX060A12MP11	14.5	CF/CM/CU36B	650	23.4	17.6	14.25	11.75
TCHD24S41S4	TMLX060A12MP11	14.5	CF/CM36A	700	23.4	18.3	14.00	12.50
TCHD24S41S4	TMLX080B12MP11	17.5	CF/CM/CU30B	775	23.4	19.0	15.00	12.50

**COOLING CAPACITY - With High Efficiency Motor Furnaces<sup>1</sup> (Continued)**

UNIT MODEL	FURNACE		COIL MODEL <sup>2</sup>	COOLING				
	MODEL	WIDTH		RATED CFM	Net MBH		SEER	EER
					TOTAL	SENS.		
TCHD24S41S4	TMLX080B12MP11	17.5	CF/CM/CU36B	775	23.4	19.2	14.25	11.75
TCHD24S41S4	TMLX080B12MP11	17.5	CF/CM/CU36C	700	23.4	18.2	14.50	12.00
TCHD24S41S4	TMLX080B12MP11	17.5	CF/CM30C	775	23.4	19.0	14.25	11.75
TCHD24S41S4	TMLX080C16MP11	21.0	CF/CM/CU36C	700	23.4	18.2	14.50	12.00
TCHD24S41S4	TMLX080C16MP11	21.0	CF/CM30C	700	23.6	17.7	13.75	11.50
TCHD24S41S4	TMLX080C16MP11	21.0	CF/CM36D	725	23.8	18.3	14.00	11.75
TCHD24S41S4	TMLX100C16MP11	21.0	CF/CM/CU36C	700	23.4	18.2	14.50	12.00
TCHD24S41S4	TMLX100C16MP11	21.0	CF/CM30C	700	23.6	17.7	13.75	11.50
TCHD24S41S4	TMLX100C16MP11	21.0	CF/CM36D	725	23.8	18.3	14.00	11.75
TCHD24S41S4	TP9C060B12MP13C	17.5	CF/CM/CU30B	700	23.4	18.1	14.75	12.25
TCHD24S41S4	TP9C060B12MP13C	17.5	CF/CM/CU36B	700	23.8	18.2	15.00	12.50
TCHD24S41S4	TP9C060B12MP13C	17.5	CF/CM/CU36C	700	23.4	18.2	14.00	11.75
TCHD24S41S4	TP9C060B12MP13C	17.5	CF/CM30C	700	23.4	18.0	14.00	11.50
TCHD24S41S4	TP9C080B12MP13C	17.5	CF/CM/CU30B	800	23.4	19.3	15.50	12.50
TCHD24S41S4	TP9C080B12MP13C	17.5	CF/CM/CU36B	800	23.8	19.6	15.25	12.75
TCHD24S41S4	TP9C080B12MP13C	17.5	CF/CM/CU36C	850	23.4	20.2	14.25	11.75
TCHD24S41S4	TP9C080B12MP13C	17.5	CF/CM30C	725	23.4	18.4	14.25	11.75
TCHD24S41S4	TP9C080C16MP13C	21.0	CF/CM/CU36C	950	23.4	21.5	14.25	11.75
TCHD24S41S4	TP9C080C16MP13C	21.0	CF/CM30C	950	23.4	21.0	14.25	11.75
TCHD24S41S4	TP9C080C16MP13C	21.0	CF/CM36D	950	23.8	21.5	14.50	11.75
TCHD24S41S4	TP9C100C16MP13C	21.0	CF/CM/CU36C	900	23.4	20.8	14.75	12.00
TCHD24S41S4	TP9C100C16MP13C	21.0	CF/CM30C	900	23.4	20.1	14.00	11.50
TCHD24S41S4	TP9C100C16MP13C	21.0	CF/CM36D	900	23.8	20.1	14.00	11.50
TCHD24S41S4	TPLC060A12MP13C	14.5	CF/CM/CU30A	625	23.4	17.0	14.75	11.50
TCHD24S41S4	TPLC060A12MP13C	14.5	CF/CM/CU30B	700	23.4	18.0	15.00	12.50
TCHD24S41S4	TPLC060A12MP13C	14.5	CF/CM/CU36B	700	23.4	18.2	14.25	11.75
TCHD24S41S4	TPLC060A12MP13C	14.5	CF/CM36A	725	23.4	18.6	14.00	12.50
TCHD24S41S4	TPLC080B12MP13C	17.5	CF/CM/CU30B	675	23.4	17.6	14.75	12.25
TCHD24S41S4	TPLC080B12MP13C	17.5	CF/CM/CU36B	675	23.4	17.8	14.00	11.50
TCHD24S41S4	TPLC080B12MP13C	17.5	CF/CM/CU36C	675	23.4	17.8	14.00	11.50
TCHD24S41S4	TPLC080B12MP13C	17.5	CF/CM30C	725	23.4	18.5	14.00	11.50
TCHD24S41S4	TPLC080C16MP13C	21.0	CF/CM/CU36C	875	23.4	20.6	14.50	12.00
TCHD24S41S4	TPLC080C16MP13C	21.0	CF/CM30C	875	23.4	19.7	14.00	11.50
TCHD24S41S4	TPLC080C16MP13C	21.0	CF/CM36D	875	23.8	19.9	14.00	11.75
TCHD24S41S4	TPLC100C16MP13C	21.0	CF/CM/CU36C	875	23.4	20.6	14.50	12.00
TCHD24S41S4	TPLC100C16MP13C	21.0	CF/CM30C	875	23.4	19.7	14.00	11.50
TCHD24S41S4	TPLC100C16MP13C	21.0	CF/CM36D	875	23.8	19.9	14.00	11.75
TCHD24S41S4	YP9C060B12MP13C	17.5	CF/CM/CU30B	700	23.4	18.1	14.75	12.25
TCHD24S41S4	YP9C060B12MP13C	17.5	CF/CM/CU36B	700	23.8	18.2	15.00	12.50
TCHD24S41S4	YP9C060B12MP13C	17.5	CF/CM/CU36C	700	23.4	18.2	14.00	11.75
TCHD24S41S4	YP9C060B12MP13C	17.5	CF/CM30C	700	23.4	18.0	14.00	11.50
TCHD24S41S4	YP9C080B12MP13C	17.5	CF/CM/CU30B	800	23.4	19.3	15.50	12.50
TCHD24S41S4	YP9C080B12MP13C	17.5	CF/CM/CU36B	800	23.8	19.6	15.25	12.75
TCHD24S41S4	YP9C080B12MP13C	17.5	CF/CM/CU36C	850	23.4	20.2	14.25	11.75
TCHD24S41S4	YP9C080B12MP13C	17.5	CF/CM30C	725	23.4	18.4	14.25	11.75
TCHD24S41S4	YP9C080C16MP13C	21.0	CF/CM/CU36C	950	23.4	21.5	14.25	11.75
TCHD24S41S4	YP9C080C16MP13C	21.0	CF/CM30C	950	23.4	21.0	14.25	11.75
TCHD24S41S4	YP9C080C16MP13C	21.0	CF/CM36D	950	23.8	21.5	14.50	11.75
TCHD24S41S4	YP9C100C16MP13C	21.0	CF/CM/CU36C	900	23.4	20.8	14.75	12.00
TCHD24S41S4	YP9C100C16MP13C	21.0	CF/CM30C	900	23.4	20.1	14.00	11.50
TCHD24S41S4	YP9C100C16MP13C	21.0	CF/CM36D	900	23.8	20.1	14.00	11.50
TCHD24S41S4	YPLC060A12MP13C	14.5	CF/CM/CU30A	625	23.4	17.0	14.75	11.50
TCHD24S41S4	YPLC060A12MP13C	14.5	CF/CM/CU30B	700	23.4	18.0	15.00	12.50

**COOLING CAPACITY - With High Efficiency Motor Furnaces<sup>1</sup> (Continued)**

UNIT MODEL	FURNACE		COIL MODEL <sup>2</sup>	COOLING				
	MODEL	WIDTH		RATED CFM	Net MBH		SEER	EER
					TOTAL	SENS.		
TCHD24S41S4	YPLC060A12MP13C	14.5	CF/CM/CU36B	700	23.4	18.2	14.25	11.75
TCHD24S41S4	YPLC060A12MP13C	14.5	CF/CM36A	725	23.4	18.6	14.00	12.50
TCHD24S41S4	YPLC080B12MP13C	17.5	CF/CM/CU30B	675	23.4	17.6	14.75	12.25
TCHD24S41S4	YPLC080B12MP13C	17.5	CF/CM/CU36B	675	23.4	17.8	14.00	11.50
TCHD24S41S4	YPLC080B12MP13C	17.5	CF/CM/CU36C	675	23.4	17.8	14.00	11.50
TCHD24S41S4	YPLC080B12MP13C	17.5	CF/CM30C	725	23.4	18.5	14.00	11.50
TCHD24S41S4	YPLC080C16MP13C	21.0	CF/CM/CU36C	875	23.4	20.6	14.50	12.00
TCHD24S41S4	YPLC080C16MP13C	21.0	CF/CM30C	875	23.4	19.7	14.00	11.50
TCHD24S41S4	YPLC080C16MP13C	21.0	CF/CM36D	875	23.8	19.9	14.00	11.75
TCHD24S41S4	YPLC100C16MP13C	21.0	CF/CM/CU36C	875	23.4	20.6	14.50	12.00
TCHD24S41S4	YPLC100C16MP13C	21.0	CF/CM30C	875	23.4	19.7	14.00	11.50
TCHD24S41S4	YPLC100C16MP13C	21.0	CF/CM36D	875	23.8	19.9	14.00	11.75
TCHD24S41S4	T*(8,L)C*A12	14.5	FC/MC/PC24A	770	23.8	16.5	15.25	12.75
TCHD24S41S4	T*(8,L)C*A12	14.5	FC/MC/PC32A	755	24.0	16.8	15.50	12.75
TCHD24S41S4	T*(8,L)C*A12	14.5	FC/MC/PC37A	765	24.4	17.3	15.75	13.00
TCHD24S41S4	T*(8,L)C*A12	14.5	HD24	805	24.4	16.9	15.50	13.00
TCHD24S41S4	T*(8,L)C*A12	14.5	HD36	805	23.6	16.2	15.00	12.50
TCHD24S41S4	T*(8,L)C*A12	14.5	UC24A	805	24.2	16.8	15.25	12.75
TCHD24S41S4	T*(8,L)C*B12	17.5	FC/MC/PC24B	760	23.8	16.5	15.25	13.00
TCHD24S41S4	T*(8,L)C*B12	17.5	FC/MC/PC35B	785	24.0	16.8	15.50	13.00
TCHD24S41S4	T*(8,L)C*B12	17.5	FC/MC/PC43B	790	24.4	17.3	15.75	13.00
TCHD24S41S4	T*(8,L)C*B12	17.5	HD24	815	24.4	16.9	15.75	13.25
TCHD24S41S4	T*(8,L)C*B12	17.5	HD36	760	23.4	16.0	15.00	12.50
TCHD24S41S4	T*(8,L)C*B12	17.5	UC24B	815	24.2	16.8	15.50	13.00
TCHD24S41S4	T*(8,L)C*C16	21.0	FC/MC/PC35C	775	24.2	16.9	15.75	13.00
TCHD24S41S4	T*(8,L)C*C16	21.0	FC/MC/PC43C	770	24.4	17.4	16.00	13.25
TCHD24S41S4	T*(8,L)C*C16	21.0	FC/MC/PC48C	770	24.4	17.0	16.00	13.50
TCHD24S41S4	T*(8,L)C*C16	21.0	HD36	855	24.2	16.7	15.50	13.00
TCHD24S41S4	T*(8,L)C*C16	21.0	UC48C	815	24.2	17.0	15.75	13.25
TCHD24S41S4	T*(8,L)C*C20	21.0	FC/MC/PC35C	755	24.2	16.9	15.75	13.25
TCHD24S41S4	T*(8,L)C*C20	21.0	FC/MC/PC43C	740	24.2	16.8	16.00	13.25
TCHD24S41S4	T*(8,L)C*C20	21.0	FC/MC/PC48C	740	24.4	16.9	16.00	13.25
TCHD24S41S4	T*(8,L)C*C20	21.0	HD36	750	23.6	16.0	15.50	13.00
TCHD24S41S4	T*(8,L)C*C20	21.0	UC48C	760	24.0	16.7	15.75	13.00
TCHD24S41S4	T*(8,L)V*A12	14.5	FC/MC/PC24A	770	23.8	16.5	15.25	12.75
TCHD24S41S4	T*(8,L)V*A12	14.5	FC/MC/PC32A	755	24.0	16.8	15.50	12.75
TCHD24S41S4	T*(8,L)V*A12	14.5	FC/MC/PC37A	765	24.4	17.3	15.75	13.00
TCHD24S41S4	T*(8,L)V*A12	14.5	HD24	805	24.4	16.9	15.50	13.00
TCHD24S41S4	T*(8,L)V*A12	14.5	HD36	805	23.6	16.2	15.00	12.50
TCHD24S41S4	T*(8,L)V*A12	14.5	UC24A	805	24.2	16.8	15.25	12.75
TCHD24S41S4	T*(8,L)V*B12	17.5	FC/MC/PC24B	760	23.8	16.5	15.25	13.00
TCHD24S41S4	T*(8,L)V*B12	17.5	FC/MC/PC35B	785	24.0	16.8	15.50	13.00
TCHD24S41S4	T*(8,L)V*B12	17.5	FC/MC/PC43B	790	24.4	17.3	15.75	13.00
TCHD24S41S4	T*(8,L)V*B12	17.5	HD24	815	24.4	16.9	15.75	13.25
TCHD24S41S4	T*(8,L)V*B12	17.5	HD36	760	23.4	16.0	15.00	12.50
TCHD24S41S4	T*(8,L)V*B12	17.5	UC24B	815	24.2	16.8	15.50	13.00
TCHD24S41S4	T*(8,L)V*C16	21.0	FC/MC/PC35C	775	24.2	16.9	15.75	13.00
TCHD24S41S4	T*(8,L)V*C16	21.0	FC/MC/PC43C	770	24.4	17.4	16.00	13.25
TCHD24S41S4	T*(8,L)V*C16	21.0	FC/MC/PC48C	770	24.4	17.0	16.00	13.50
TCHD24S41S4	T*(8,L)V*C16	21.0	HD36	855	24.2	16.7	15.50	13.00
TCHD24S41S4	T*(8,L)V*C16	21.0	UC48C	815	24.2	17.0	15.75	13.25
TCHD24S41S4	T*(8,L)V*C20	21.0	FC/MC/PC35C	755	24.2	16.9	15.75	13.25
TCHD24S41S4	T*(8,L)V*C20	21.0	FC/MC/PC43C	740	24.2	16.8	16.00	13.25

COOLING CAPACITY - With High Efficiency Motor Furnaces<sup>1</sup> (Continued)

UNIT MODEL	FURNACE		COIL MODEL <sup>2</sup>	COOLING				
	MODEL	WIDTH		RATED CFM	Net MBH		SEER	EER
					TOTAL	SENS.		
TCHD24S41S4	T*(8,L)V*C20	21.0	FC/MC/PC48C	740	24.4	16.9	16.00	13.25
TCHD24S41S4	T*(8,L)V*C20	21.0	HD36	750	23.6	16.0	15.50	13.00
TCHD24S41S4	T*(8,L)V*C20	21.0	UC48C	760	24.0	16.7	15.75	13.00
TCHD24S41S4	T*9(C,V)*B12	17.5	FC/MC/PC24B	790	24.2	17.0	15.25	12.75
TCHD24S41S4	T*9(C,V)*B12	17.5	FC/MC/PC35B	815	24.0	16.8	15.25	12.75
TCHD24S41S4	T*9(C,V)*B12	17.5	FC/MC/PC43B	800	24.4	17.3	15.50	13.00
TCHD24S41S4	T*9(C,V)*B12	17.5	HD24	790	24.4	16.9	15.50	13.00
TCHD24S41S4	T*9(C,V)*B12	17.5	HD36	815	23.6	16.2	15.00	12.50
TCHD24S41S4	T*9(C,V)*B12	17.5	UC24B	790	24.0	16.8	15.25	12.75
TCHD24S41S4	T*9(C,V)*C16	21.0	FC/MC/PC35C	900	24.4	17.9	15.50	13.00
TCHD24S41S4	T*9(C,V)*C16	21.0	FC/MC/PC43C	810	24.4	17.3	15.75	13.00
TCHD24S41S4	T*9(C,V)*C16	21.0	FC/MC/PC48C	890	24.4	17.9	16.00	13.25
TCHD24S41S4	T*9(C,V)*C16	21.0	HD36	785	23.8	16.2	15.25	12.75
TCHD24S41S4	T*9(C,V)*C16	21.0	UC48C	890	24.4	18.1	15.75	13.00
TCHD24S41S4	T*9(C,V)*C20	21.0	FC/MC/PC35C	755	24.2	16.9	15.75	13.00
TCHD24S41S4	T*9(C,V)*C20	21.0	FC/MC/PC43C	890	24.4	18.1	16.00	13.25
TCHD24S41S4	T*9(C,V)*C20	21.0	FC/MC/PC48C	890	24.4	17.9	16.00	13.25
TCHD24S41S4	T*9(C,V)*C20	21.0	HD36	760	23.6	16.1	15.25	12.75
TCHD24S41S4	T*9(C,V)*C20	21.0	UC48C	890	24.4	18.1	15.75	13.00
TCHD24S41S4	T*9V*A10	14.5	FC/MC/PC24A	785	23.6	16.4	14.25	12.00
TCHD24S41S4	T*9V*A10	14.5	FC/MC/PC32A	785	23.8	16.6	14.50	12.25
TCHD24S41S4	T*9V*A10	14.5	FC/MC/PC37A	790	24.0	17.1	14.75	12.25
TCHD24S41S4	TM8X060A12MP11	14.5	FC/MC/PC24A	750	23.6	16.3	15.25	12.75
TCHD24S41S4	TM8X060A12MP11	14.5	FC/MC/PC32A	800	24.0	16.8	15.25	12.75
TCHD24S41S4	TM8X060A12MP11	14.5	FC/MC/PC37A	800	24.2	17.2	15.50	12.75
TCHD24S41S4	TM8X060A12MP11	14.5	HD24	810	24.4	16.9	16.00	13.50
TCHD24S41S4	TM8X060A12MP11	14.5	HD36	815	23.8	16.2	15.25	12.75
TCHD24S41S4	TM8X060A12MP11	14.5	UC24A	750	23.8	16.5	15.25	12.75
TCHD24S41S4	TM8X080B12MP11	17.5	FC/MC/PC24B	775	23.8	16.6	15.25	12.75
TCHD24S41S4	TM8X080B12MP11	17.5	FC/MC/PC35B	750	24.0	16.8	15.50	13.00
TCHD24S41S4	TM8X080B12MP11	17.5	FC/MC/PC43B	775	24.4	17.3	15.75	13.00
TCHD24S41S4	TM8X080B12MP11	17.5	HD24	855	24.4	17.5	16.25	13.50
TCHD24S41S4	TM8X080B12MP11	17.5	HD36	855	24.2	16.8	16.00	13.25
TCHD24S41S4	TM8X080B12MP11	17.5	UC24B	775	24.2	16.8	15.50	13.00
TCHD24S41S4	TM8X080C16MP11	21.0	FC/MC/PC35C	800	23.8	16.7	14.75	12.25
TCHD24S41S4	TM8X080C16MP11	21.0	FC/MC/PC43C	800	24.2	17.1	15.00	12.50
TCHD24S41S4	TM8X080C16MP11	21.0	FC/MC/PC48C	800	24.4	17.1	15.00	12.50
TCHD24S41S4	TM8X080C16MP11	21.0	HD36	855	24.2	16.8	16.00	13.25
TCHD24S41S4	TM8X080C16MP11	21.0	UC48C	800	23.8	16.8	14.75	12.25
TCHD24S41S4	TM8X100C16MP11	21.0	FC/MC/PC35C	800	23.8	16.7	14.75	12.25
TCHD24S41S4	TM8X100C16MP11	21.0	FC/MC/PC43C	800	24.2	17.1	15.00	12.50
TCHD24S41S4	TM8X100C16MP11	21.0	FC/MC/PC48C	800	24.4	17.1	15.00	12.50
TCHD24S41S4	TM8X100C16MP11	21.0	HD36	855	24.2	16.8	16.00	13.25
TCHD24S41S4	TM8X100C16MP11	21.0	UC48C	800	23.8	16.8	14.75	12.25
TCHD24S41S4	TM8X100C20MP11	21.0	FC/MC/PC35C	800	23.8	16.6	14.50	12.00
TCHD24S41S4	TM8X100C20MP11	21.0	FC/MC/PC43C	800	24.0	17.1	14.75	12.25
TCHD24S41S4	TM8X100C20MP11	21.0	FC/MC/PC48C	800	24.4	17.0	14.75	12.50
TCHD24S41S4	TM8X100C20MP11	21.0	HD36	860	24.2	16.9	15.75	13.25
TCHD24S41S4	TM8X100C20MP11	21.0	UC48C	800	23.8	16.7	14.50	12.00
TCHD24S41S4	TM8X120C20MP11	21.0	FC/MC/PC35C	800	23.8	16.6	14.50	12.00
TCHD24S41S4	TM8X120C20MP11	21.0	FC/MC/PC43C	800	24.0	17.1	14.75	12.25
TCHD24S41S4	TM8X120C20MP11	21.0	FC/MC/PC48C	800	24.4	17.0	14.75	12.50
TCHD24S41S4	TM8X120C20MP11	21.0	HD36	860	24.2	16.9	15.75	13.25



**COOLING CAPACITY - With High Efficiency Motor Furnaces<sup>1</sup> (Continued)**

UNIT MODEL	FURNACE		COIL MODEL <sup>2</sup>	COOLING				
	MODEL	WIDTH		RATED CFM	Net MBH		SEER	EER
					TOTAL	SENS.		
TCHD24S41S4	TM8X120C20MP11	21.0	UC48C	800	23.8	16.7	14.50	12.00
TCHD24S41S4	TM9E040A10MP11	14.5	FC/MC/PC24A	800	23.8	16.8	14.00	11.75
TCHD24S41S4	TM9E040A10MP11	14.5	FC/MC/PC32A	775	23.6	16.5	14.00	11.75
TCHD24S41S4	TM9E040A10MP11	14.5	FC/MC/PC37A	800	24.0	17.0	14.50	12.00
TCHD24S41S4	TM9E040A10MP11	14.5	UC24A	800	23.8	16.5	14.00	11.75
TCHD24S41S4	TM9E060B12MP11	17.5	FC/MC/PC24B	800	24.0	16.9	14.75	12.25
TCHD24S41S4	TM9E060B12MP11	17.5	FC/MC/PC35B	800	23.8	16.7	14.75	12.25
TCHD24S41S4	TM9E060B12MP11	17.5	FC/MC/PC43B	800	24.2	17.1	15.00	12.50
TCHD24S41S4	TM9E060B12MP11	17.5	HD24	790	24.4	16.9	16.00	13.50
TCHD24S41S4	TM9E060B12MP11	17.5	HD36	790	23.8	16.3	15.50	13.00
TCHD24S41S4	TM9E060B12MP11	17.5	UC24B	800	23.8	16.6	14.50	12.25
TCHD24S41S4	TM9E080B12MP11	17.5	FC/MC/PC24B	800	24.0	16.9	14.75	12.25
TCHD24S41S4	TM9E080B12MP11	17.5	FC/MC/PC35B	800	23.8	16.7	14.75	12.25
TCHD24S41S4	TM9E080B12MP11	17.5	FC/MC/PC43B	800	24.2	17.1	15.00	12.50
TCHD24S41S4	TM9E080B12MP11	17.5	HD24	790	24.4	16.9	16.00	13.50
TCHD24S41S4	TM9E080B12MP11	17.5	HD36	790	23.8	16.3	15.50	13.00
TCHD24S41S4	TM9E080B12MP11	17.5	UC24B	800	23.8	16.6	14.50	12.25
TCHD24S41S4	TM9E080C16MP11	21.0	FC/MC/PC35C	800	23.8	16.6	14.25	12.00
TCHD24S41S4	TM9E080C16MP11	21.0	FC/MC/PC43C	800	24.0	17.0	14.50	12.00
TCHD24S41S4	TM9E080C16MP11	21.0	FC/MC/PC48C	800	24.2	17.0	14.50	12.25
TCHD24S41S4	TM9E080C16MP11	21.0	HD36	730	23.4	15.8	15.25	13.00
TCHD24S41S4	TM9E080C16MP11	21.0	UC48C	800	23.8	16.7	14.25	12.00
TCHD24S41S4	TM9E100C16MP11	21.0	FC/MC/PC35C	800	23.8	16.6	14.25	12.00
TCHD24S41S4	TM9E100C16MP11	21.0	FC/MC/PC43C	800	24.0	17.0	14.50	12.00
TCHD24S41S4	TM9E100C16MP11	21.0	FC/MC/PC48C	800	24.2	17.0	14.50	12.25
TCHD24S41S4	TM9E100C16MP11	21.0	HD36	730	23.4	15.8	15.25	13.00
TCHD24S41S4	TM9E100C16MP11	21.0	UC48C	800	23.8	16.7	14.25	12.00
TCHD24S41S4	TM9E100C20MP11	21.0	FC/MC/PC35C	800	24.0	16.7	15.00	12.50
TCHD24S41S4	TM9E100C20MP11	21.0	FC/MC/PC43C	800	24.2	17.2	15.25	12.75
TCHD24S41S4	TM9E100C20MP11	21.0	FC/MC/PC48C	800	24.4	17.1	15.50	13.00
TCHD24S41S4	TM9E100C20MP11	21.0	HD36	850	24.0	16.7	15.50	13.00
TCHD24S41S4	TM9E100C20MP11	21.0	UC48C	800	24.0	16.9	15.00	12.50
TCHD24S41S4	TM9E120D20MP11	24.5	FC/MC/PC48D	800	24.4	17.1	15.50	13.00
TCHD24S41S4	TM9E120D20MP11	24.5	UC48D	800	24.0	16.9	15.25	12.75
TCHD24S41S4	TM9X040A10MP11	14.5	FC/MC/PC24A	800	23.8	16.8	14.00	11.75
TCHD24S41S4	TM9X040A10MP11	14.5	FC/MC/PC32A	775	23.6	16.5	14.00	11.75
TCHD24S41S4	TM9X040A10MP11	14.5	FC/MC/PC37A	800	24.0	17.0	14.50	12.00
TCHD24S41S4	TM9X040A10MP11	14.5	UC24A	800	23.8	16.5	14.00	11.75
TCHD24S41S4	TM9X060B12MP11	17.5	FC/MC/PC24B	800	24.0	16.9	14.75	12.25
TCHD24S41S4	TM9X060B12MP11	17.5	FC/MC/PC35B	800	23.8	16.7	14.75	12.25
TCHD24S41S4	TM9X060B12MP11	17.5	FC/MC/PC43B	800	24.2	17.1	15.00	12.50
TCHD24S41S4	TM9X060B12MP11	17.5	HD24	790	24.4	16.9	16.00	13.50
TCHD24S41S4	TM9X060B12MP11	17.5	HD36	790	23.8	16.3	15.50	13.00
TCHD24S41S4	TM9X060B12MP11	17.5	UC24B	800	23.8	16.6	14.50	12.25
TCHD24S41S4	TM9X080B12MP11	17.5	FC/MC/PC24B	800	24.0	16.9	14.75	12.25
TCHD24S41S4	TM9X080B12MP11	17.5	FC/MC/PC35B	800	23.8	16.7	14.75	12.25
TCHD24S41S4	TM9X080B12MP11	17.5	FC/MC/PC43B	800	24.2	17.1	15.00	12.50
TCHD24S41S4	TM9X080B12MP11	17.5	HD24	790	24.4	16.9	16.00	13.50
TCHD24S41S4	TM9X080B12MP11	17.5	HD36	790	23.8	16.3	15.50	13.00
TCHD24S41S4	TM9X080B12MP11	17.5	UC24B	800	23.8	16.6	14.50	12.25
TCHD24S41S4	TM9X080C16MP11	21.0	FC/MC/PC35C	800	23.8	16.6	14.25	12.00
TCHD24S41S4	TM9X080C16MP11	21.0	FC/MC/PC43C	800	24.0	17.0	14.50	12.00
TCHD24S41S4	TM9X080C16MP11	21.0	FC/MC/PC48C	800	24.2	17.0	14.50	12.25



COOLING CAPACITY - With High Efficiency Motor Furnaces<sup>1</sup> (Continued)

UNIT MODEL	FURNACE		COIL MODEL <sup>2</sup>	COOLING				
	MODEL	WIDTH		RATED CFM	Net MBH		SEER	EER
					TOTAL	SENS.		
TCHD24S41S4	TM9X080C16MP11	21.0	HD36	730	23.4	15.8	15.25	13.00
TCHD24S41S4	TM9X080C16MP11	21.0	UC48C	800	23.8	16.7	14.25	12.00
TCHD24S41S4	TM9X100C16MP11	21.0	FC/MC/PC35C	800	23.8	16.6	14.25	12.00
TCHD24S41S4	TM9X100C16MP11	21.0	FC/MC/PC43C	800	24.0	17.0	14.50	12.00
TCHD24S41S4	TM9X100C16MP11	21.0	FC/MC/PC48C	800	24.2	17.0	14.50	12.25
TCHD24S41S4	TM9X100C16MP11	21.0	HD36	730	23.4	15.8	15.25	13.00
TCHD24S41S4	TM9X100C16MP11	21.0	UC48C	800	23.8	16.7	14.25	12.00
TCHD24S41S4	TM9X100C20MP11	21.0	FC/MC/PC35C	800	24.0	16.7	15.00	12.50
TCHD24S41S4	TM9X100C20MP11	21.0	FC/MC/PC43C	800	24.2	17.2	15.25	12.75
TCHD24S41S4	TM9X100C20MP11	21.0	FC/MC/PC48C	800	24.4	17.1	15.50	13.00
TCHD24S41S4	TM9X100C20MP11	21.0	HD36	850	24.0	16.7	15.50	13.00
TCHD24S41S4	TM9X100C20MP11	21.0	UC48C	800	24.0	16.9	15.00	12.50
TCHD24S41S4	TM9X120D20MP11	24.5	FC/MC/PC48D	800	24.4	17.1	15.50	13.00
TCHD24S41S4	TM9X120D20MP11	24.5	UC48D	800	24.0	16.9	15.25	12.75
TCHD24S41S4	TMLX060A12MP11	14.5	FC/MC/PC24A	750	23.6	16.3	15.25	12.75
TCHD24S41S4	TMLX060A12MP11	14.5	FC/MC/PC32A	800	24.0	16.8	15.25	12.75
TCHD24S41S4	TMLX060A12MP11	14.5	FC/MC/PC37A	800	24.2	17.2	15.50	12.75
TCHD24S41S4	TMLX060A12MP11	14.5	HD24	810	24.4	16.9	16.00	13.50
TCHD24S41S4	TMLX060A12MP11	14.5	HD36	815	23.8	16.2	15.25	12.75
TCHD24S41S4	TMLX060A12MP11	14.5	UC24A	750	23.8	16.5	15.25	12.75
TCHD24S41S4	TMLX080B12MP11	17.5	FC/MC/PC24B	775	23.8	16.6	15.25	12.75
TCHD24S41S4	TMLX080B12MP11	17.5	FC/MC/PC35B	750	24.0	16.8	15.50	13.00
TCHD24S41S4	TMLX080B12MP11	17.5	FC/MC/PC43B	775	24.4	17.3	15.75	13.00
TCHD24S41S4	TMLX080B12MP11	17.5	HD24	855	24.4	17.5	16.25	13.50
TCHD24S41S4	TMLX080B12MP11	17.5	HD36	855	24.2	16.8	16.00	13.25
TCHD24S41S4	TMLX080B12MP11	17.5	UC24B	775	24.2	16.8	15.50	13.00
TCHD24S41S4	TMLX080C16MP11	21.0	FC/MC/PC35C	800	23.8	16.7	14.75	12.25
TCHD24S41S4	TMLX080C16MP11	21.0	FC/MC/PC43C	800	24.2	17.1	15.00	12.50
TCHD24S41S4	TMLX080C16MP11	21.0	FC/MC/PC48C	800	24.4	17.1	15.00	12.50
TCHD24S41S4	TMLX080C16MP11	21.0	HD36	855	24.2	16.8	16.00	13.25
TCHD24S41S4	TMLX080C16MP11	21.0	UC48C	800	23.8	16.8	14.75	12.25
TCHD24S41S4	TMLX100C16MP11	21.0	FC/MC/PC35C	800	23.8	16.7	14.75	12.25
TCHD24S41S4	TMLX100C16MP11	21.0	FC/MC/PC43C	800	24.2	17.1	15.00	12.50
TCHD24S41S4	TMLX100C16MP11	21.0	FC/MC/PC48C	800	24.4	17.1	15.00	12.50
TCHD24S41S4	TMLX100C16MP11	21.0	HD36	855	24.2	16.8	16.00	13.25
TCHD24S41S4	TMLX100C16MP11	21.0	UC48C	800	23.8	16.8	14.75	12.25
TCHD24S41S4	TMLX100C20MP11	21.0	FC/MC/PC35C	800	23.8	16.6	14.50	12.00
TCHD24S41S4	TMLX100C20MP11	21.0	FC/MC/PC43C	800	24.0	17.1	14.75	12.25
TCHD24S41S4	TMLX100C20MP11	21.0	FC/MC/PC48C	800	24.4	17.0	14.75	12.50
TCHD24S41S4	TMLX100C20MP11	21.0	HD36	860	24.2	16.9	15.75	13.25
TCHD24S41S4	TMLX100C20MP11	21.0	UC48C	800	23.8	16.7	14.50	12.00
TCHD24S41S4	TMLX120C20MP11	21.0	FC/MC/PC35C	800	23.8	16.6	14.50	12.00
TCHD24S41S4	TMLX120C20MP11	21.0	FC/MC/PC43C	800	24.0	17.1	14.75	12.25
TCHD24S41S4	TMLX120C20MP11	21.0	FC/MC/PC48C	800	24.4	17.0	14.75	12.50
TCHD24S41S4	TMLX120C20MP11	21.0	HD36	860	24.2	16.9	15.75	13.25
TCHD24S41S4	TMLX120C20MP11	21.0	UC48C	800	23.8	16.7	14.50	12.00
TCHD24S41S4	Y*(8,L)C*A12	14.5	FC/MC/PC24A	770	23.8	16.5	15.25	12.75
TCHD24S41S4	Y*(8,L)C*A12	14.5	FC/MC/PC32A	755	24.0	16.8	15.50	12.75
TCHD24S41S4	Y*(8,L)C*A12	14.5	FC/MC/PC37A	765	24.4	17.3	15.75	13.00
TCHD24S41S4	Y*(8,L)C*A12	14.5	HD24	805	24.4	16.9	15.50	13.00
TCHD24S41S4	Y*(8,L)C*A12	14.5	HD36	805	23.6	16.2	15.00	12.50
TCHD24S41S4	Y*(8,L)C*A12	14.5	UC24A	805	24.2	16.8	15.25	12.75
TCHD24S41S4	Y*(8,L)C*B12	17.5	FC/MC/PC24B	760	23.8	16.5	15.25	13.00

**COOLING CAPACITY - With High Efficiency Motor Furnaces<sup>1</sup> (Continued)**

UNIT MODEL	FURNACE		COIL MODEL <sup>2</sup>	COOLING				
	MODEL	WIDTH		RATED CFM	Net MBH		SEER	EER
					TOTAL	SENS.		
TCHD24S41S4	Y*(8,L)C*B12	17.5	FC/MC/PC35B	785	24.0	16.8	15.50	13.00
TCHD24S41S4	Y*(8,L)C*B12	17.5	FC/MC/PC43B	790	24.4	17.3	15.75	13.00
TCHD24S41S4	Y*(8,L)C*B12	17.5	HD24	815	24.4	16.9	15.75	13.25
TCHD24S41S4	Y*(8,L)C*B12	17.5	HD36	760	23.4	16.0	15.00	12.50
TCHD24S41S4	Y*(8,L)C*B12	17.5	UC24B	815	24.2	16.8	15.50	13.00
TCHD24S41S4	Y*(8,L)C*C16	21.0	FC/MC/PC35C	775	24.2	16.9	15.75	13.00
TCHD24S41S4	Y*(8,L)C*C16	21.0	FC/MC/PC43C	770	24.4	17.4	16.00	13.25
TCHD24S41S4	Y*(8,L)C*C16	21.0	FC/MC/PC48C	770	24.4	17.0	16.00	13.50
TCHD24S41S4	Y*(8,L)C*C16	21.0	HD36	855	24.2	16.7	15.50	13.00
TCHD24S41S4	Y*(8,L)C*C16	21.0	UC48C	815	24.2	17.0	15.75	13.25
TCHD24S41S4	Y*(8,L)C*C20	21.0	FC/MC/PC35C	755	24.2	16.9	15.75	13.25
TCHD24S41S4	Y*(8,L)C*C20	21.0	FC/MC/PC43C	740	24.2	16.8	16.00	13.25
TCHD24S41S4	Y*(8,L)C*C20	21.0	FC/MC/PC48C	740	24.4	16.9	16.00	13.25
TCHD24S41S4	Y*(8,L)C*C20	21.0	HD36	750	23.6	16.0	15.50	13.00
TCHD24S41S4	Y*(8,L)C*C20	21.0	UC48C	760	24.0	16.7	15.75	13.00
TCHD24S41S4	Y*9C*B12	17.5	FC/MC/PC24B	790	24.2	17.0	15.25	12.75
TCHD24S41S4	Y*9C*B12	17.5	FC/MC/PC35B	815	24.0	16.8	15.25	12.75
TCHD24S41S4	Y*9C*B12	17.5	FC/MC/PC43B	800	24.4	17.3	15.50	13.00
TCHD24S41S4	Y*9C*B12	17.5	HD24	790	24.4	16.9	15.50	13.00
TCHD24S41S4	Y*9C*B12	17.5	HD36	815	23.6	16.2	15.00	12.50
TCHD24S41S4	Y*9C*B12	17.5	UC24B	790	24.0	16.8	15.25	12.75
TCHD24S41S4	Y*9C*C16	21.0	FC/MC/PC35C	900	24.4	17.9	15.50	13.00
TCHD24S41S4	Y*9C*C16	21.0	FC/MC/PC43C	810	24.4	17.3	15.75	13.00
TCHD24S41S4	Y*9C*C16	21.0	FC/MC/PC48C	890	24.4	17.9	16.00	13.25
TCHD24S41S4	Y*9C*C16	21.0	HD36	785	23.8	16.2	15.25	12.75
TCHD24S41S4	Y*9C*C16	21.0	UC48C	890	24.4	18.1	15.75	13.00
TCHD24S41S4	Y*9C*C20	21.0	FC/MC/PC35C	755	24.2	16.9	15.75	13.00
TCHD24S41S4	Y*9C*C20	21.0	FC/MC/PC43C	890	24.4	18.1	16.00	13.25
TCHD24S41S4	Y*9C*C20	21.0	FC/MC/PC48C	890	24.4	17.9	16.00	13.25
TCHD24S41S4	Y*9C*C20	21.0	HD36	760	23.6	16.1	15.25	12.75
TCHD24S41S4	Y*9C*C20	21.0	UC48C	890	24.4	18.1	15.75	13.00
TCHD30S41S3	TM8E040A12MP11	14.5	CF/CM/CU30B	875	29.8	22.3	15.00	12.50
TCHD30S41S3	TM8E040A12MP11	14.5	CF/CM/CU36B	875	30.0	22.5	15.00	12.50
TCHD30S41S3	TM8E040A12MP11	14.5	CF42B	850	30.0	22.1	15.00	12.50
TCHD30S41S3	TM8E060A12MP11	14.5	CF/CM/CU30B	875	29.8	22.3	15.00	12.50
TCHD30S41S3	TM8E060A12MP11	14.5	CF/CM/CU36B	875	30.0	22.5	15.00	12.50
TCHD30S41S3	TM8E060A12MP11	14.5	CF42B	800	29.6	21.4	15.00	12.50
TCHD30S41S3	TM8E080B12MP11	17.5	CF/CM/CU30B	900	30.0	22.8	15.00	12.50
TCHD30S41S3	TM8E080B12MP11	17.5	CF/CM/CU36B	875	30.0	22.5	15.00	12.50
TCHD30S41S3	TM8E080B12MP11	17.5	CF/CM/CU36C	900	30.0	22.6	15.00	12.50
TCHD30S41S3	TM8E080B12MP11	17.5	CF/CM/CU42C	900	30.0	22.7	15.00	12.50
TCHD30S41S3	TM8E080B12MP11	17.5	CF/CM/CU48C	900	30.0	22.8	15.00	12.50
TCHD30S41S3	TM8E080B12MP11	17.5	CF/CM30C	900	30.0	22.8	15.00	12.50
TCHD30S41S3	TM8E080B12MP11	17.5	CF42B	875	30.0	22.8	15.00	12.50
TCHD30S41S3	TM8E080C16MP11	21.0	CF/CM/CU36C	950	30.0	23.5	15.00	12.50
TCHD30S41S3	TM8E080C16MP11	21.0	CF/CM/CU42C	950	30.0	23.6	15.00	12.50
TCHD30S41S3	TM8E080C16MP11	21.0	CF/CM/CU48C	800	30.0	21.5	15.00	12.50
TCHD30S41S3	TM8E080C16MP11	21.0	CF/CM/CU48D	950	30.0	23.6	15.00	12.50
TCHD30S41S3	TM8E080C16MP11	21.0	CF/CM30C	950	30.0	23.4	15.00	12.50
TCHD30S41S3	TM8E080C16MP11	21.0	CF/CM36D	950	30.0	23.5	15.00	12.50
TCHD30S41S3	TM8E080C16MP11	21.0	CF/CM42D	950	30.0	23.6	15.00	12.50
TCHD30S41S3	TM8E100B12MP11	17.5	CF/CM/CU30B	825	29.6	21.7	15.00	12.50
TCHD30S41S3	TM8E100B12MP11	17.5	CF/CM/CU36B	825	29.8	22.0	15.00	12.50

**COOLING CAPACITY - With High Efficiency Motor Furnaces<sup>1</sup> (Continued)**

UNIT MODEL	FURNACE		COIL MODEL <sup>2</sup>	COOLING				
	MODEL	WIDTH		RATED CFM	Net MBH		SEER	EER
					TOTAL	SENS.		
TCHD30S41S3	TM8E100B12MP11	17.5	CF/CM/CU36C	825	29.8	22.0	15.00	12.50
TCHD30S41S3	TM8E100B12MP11	17.5	CF/CM/CU42C	850	30.0	22.3	15.00	12.50
TCHD30S41S3	TM8E100B12MP11	17.5	CF/CM/CU48C	850	30.0	22.1	15.00	12.50
TCHD30S41S3	TM8E100B12MP11	17.5	CF/CM30C	925	30.0	23.0	15.00	12.50
TCHD30S41S3	TM8E100B12MP11	17.5	CF42B	800	29.6	21.4	15.00	12.50
TCHD30S41S3	TM8E100C16MP11	21.0	CF/CM/CU36C	925	30.0	23.2	15.00	12.50
TCHD30S41S3	TM8E100C16MP11	21.0	CF/CM/CU42C	925	30.0	23.2	15.00	12.50
TCHD30S41S3	TM8E100C16MP11	21.0	CF/CM/CU48C	950	30.0	23.6	15.00	12.50
TCHD30S41S3	TM8E100C16MP11	21.0	CF/CM/CU48D	950	30.0	23.6	15.00	12.50
TCHD30S41S3	TM8E100C16MP11	21.0	CF/CM30C	925	30.0	23.2	15.00	12.50
TCHD30S41S3	TM8E100C16MP11	21.0	CF/CM36D	950	30.0	23.5	15.00	12.50
TCHD30S41S3	TM8E100C16MP11	21.0	CF/CM42D	950	30.0	23.6	15.00	12.50
TCHD30S41S3	TM8E120C16MP11	21.0	CF/CM/CU36C	950	30.0	23.5	15.00	12.50
TCHD30S41S3	TM8E120C16MP11	21.0	CF/CM/CU42C	950	30.0	23.6	15.00	12.50
TCHD30S41S3	TM8E120C16MP11	21.0	CF/CM/CU48C	950	30.0	23.6	15.00	12.50
TCHD30S41S3	TM8E120C16MP11	21.0	CF/CM/CU48D	950	30.0	23.6	15.00	12.50
TCHD30S41S3	TM8E120C16MP11	21.0	CF/CM30C	950	30.0	23.4	15.00	12.50
TCHD30S41S3	TM8E120C16MP11	21.0	CF/CM36D	950	30.0	23.5	15.00	12.50
TCHD30S41S3	TM8E120C16MP11	21.0	CF/CM42D	950	30.0	23.6	15.00	12.50
TCHD30S41S3	TM8V060A12MP11C	14.5	CF/CM/CU30B	875	29.8	22.3	15.00	12.50
TCHD30S41S3	TM8V060A12MP11C	14.5	CF/CM/CU36B	800	29.6	21.6	15.00	12.50
TCHD30S41S3	TM8V060A12MP11C	14.5	CF42B	800	29.6	21.4	15.00	12.50
TCHD30S41S3	TM8V060A12MP12C	14.5	CF/CM/CU30B	875	29.8	22.3	15.00	12.50
TCHD30S41S3	TM8V060A12MP12C	14.5	CF/CM/CU36B	800	29.6	21.6	15.00	12.50
TCHD30S41S3	TM8V060A12MP12C	14.5	CF/CM36A	900	29.6	22.2	14.25	12.50
TCHD30S41S3	TM8V060A12MP12C	14.5	CF42B	800	29.6	21.4	15.00	12.50
TCHD30S41S3	TM8V080B12MP11C	17.5	CF/CM/CU30B	825	29.4	21.5	15.00	12.50
TCHD30S41S3	TM8V080B12MP11C	17.5	CF/CM/CU36B	825	29.6	21.8	15.00	12.50
TCHD30S41S3	TM8V080B12MP11C	17.5	CF/CM/CU36C	825	29.6	21.8	15.00	12.50
TCHD30S41S3	TM8V080B12MP11C	17.5	CF/CM/CU42C	825	29.8	21.7	15.00	12.50
TCHD30S41S3	TM8V080B12MP11C	17.5	CF/CM/CU48C	825	30.0	21.9	15.00	12.50
TCHD30S41S3	TM8V080B12MP11C	17.5	CF/CM30C	825	29.4	21.5	15.00	12.50
TCHD30S41S3	TM8V080B12MP11C	17.5	CF42B	825	29.8	21.7	15.00	12.50
TCHD30S41S3	TM8V080B12MP12C	17.5	CF/CM/CU30B	825	29.4	21.5	15.00	12.50
TCHD30S41S3	TM8V080B12MP12C	17.5	CF/CM/CU36B	825	29.6	21.8	15.00	12.50
TCHD30S41S3	TM8V080B12MP12C	17.5	CF/CM/CU36C	825	29.6	21.8	15.00	12.50
TCHD30S41S3	TM8V080B12MP12C	17.5	CF/CM/CU42C	825	29.8	21.7	15.00	12.50
TCHD30S41S3	TM8V080B12MP12C	17.5	CF/CM/CU48C	825	30.0	21.9	15.00	12.50
TCHD30S41S3	TM8V080B12MP12C	17.5	CF/CM30C	825	29.4	21.5	15.00	12.50
TCHD30S41S3	TM8V080B12MP12C	17.5	CF42B	825	29.8	21.7	15.00	12.50
TCHD30S41S3	TM8V080C16MP11C	21.0	CF/CM/CU36C	875	30.0	22.5	15.00	12.50
TCHD30S41S3	TM8V080C16MP11C	21.0	CF/CM/CU42C	950	30.0	23.6	15.00	12.50
TCHD30S41S3	TM8V080C16MP11C	21.0	CF/CM/CU48C	875	30.0	22.7	15.00	12.50
TCHD30S41S3	TM8V080C16MP11C	21.0	CF/CM/CU48D	875	30.0	22.9	15.00	12.50
TCHD30S41S3	TM8V080C16MP11C	21.0	CF/CM30C	875	29.8	22.3	15.00	12.50
TCHD30S41S3	TM8V080C16MP11C	21.0	CF/CM36D	875	30.0	22.5	15.00	12.50
TCHD30S41S3	TM8V080C16MP11C	21.0	CF/CM42D	950	30.0	23.6	15.00	12.50
TCHD30S41S3	TM8V080C16MP12C	21.0	CF/CM/CU36C	875	30.0	22.5	15.00	12.50
TCHD30S41S3	TM8V080C16MP12C	21.0	CF/CM/CU42C	950	30.0	23.6	15.00	12.50
TCHD30S41S3	TM8V080C16MP12C	21.0	CF/CM/CU48C	875	30.0	22.7	15.00	12.50
TCHD30S41S3	TM8V080C16MP12C	21.0	CF/CM/CU48D	875	30.0	22.9	15.00	12.50
TCHD30S41S3	TM8V080C16MP12C	21.0	CF/CM30C	875	29.8	22.3	15.00	12.50
TCHD30S41S3	TM8V080C16MP12C	21.0	CF/CM36D	875	30.0	22.5	15.00	12.50

**COOLING CAPACITY - With High Efficiency Motor Furnaces<sup>1</sup> (Continued)**

UNIT MODEL	FURNACE		COIL MODEL <sup>2</sup>	COOLING				
	MODEL	WIDTH		RATED CFM	Net MBH		SEER	EER
					TOTAL	SENS.		
TCHD30S41S3	TM8V080C16MP12C	21.0	CF/CM42D	950	30.0	23.6	15.00	12.50
TCHD30S41S3	TM8V100C16MP11C	21.0	CF/CM/CU36C	875	30.0	22.5	15.00	12.50
TCHD30S41S3	TM8V100C16MP11C	21.0	CF/CM/CU42C	950	30.0	23.6	15.00	12.50
TCHD30S41S3	TM8V100C16MP11C	21.0	CF/CM/CU48C	875	30.0	22.7	15.00	12.50
TCHD30S41S3	TM8V100C16MP11C	21.0	CF/CM/CU48D	875	30.0	22.9	15.00	12.50
TCHD30S41S3	TM8V100C16MP11C	21.0	CF/CM30C	875	29.8	22.3	15.00	12.50
TCHD30S41S3	TM8V100C16MP11C	21.0	CF/CM36D	875	30.0	22.5	15.00	12.50
TCHD30S41S3	TM8V100C16MP11C	21.0	CF/CM42D	950	30.0	23.6	15.00	12.50
TCHD30S41S3	TM8V100C16MP12C	21.0	CF/CM/CU36C	875	30.0	22.5	15.00	12.50
TCHD30S41S3	TM8V100C16MP12C	21.0	CF/CM/CU42C	950	30.0	23.6	15.00	12.50
TCHD30S41S3	TM8V100C16MP12C	21.0	CF/CM/CU48C	875	30.0	22.7	15.00	12.50
TCHD30S41S3	TM8V100C16MP12C	21.0	CF/CM/CU48D	875	30.0	22.9	15.00	12.50
TCHD30S41S3	TM8V100C16MP12C	21.0	CF/CM30C	875	29.8	22.3	15.00	12.50
TCHD30S41S3	TM8V100C16MP12C	21.0	CF/CM36D	875	30.0	22.5	15.00	12.50
TCHD30S41S3	TM8V100C16MP12C	21.0	CF/CM42D	950	30.0	23.6	15.00	12.50
TCHD30S41S3	TM8V100C20MP11C	21.0	CF/CM/CU36C	1150	30.0	25.8	15.00	12.50
TCHD30S41S3	TM8V100C20MP11C	21.0	CF/CM/CU42C	1150	30.0	26.0	15.00	12.50
TCHD30S41S3	TM8V100C20MP11C	21.0	CF/CM/CU48C	1150	30.0	26.2	15.00	12.50
TCHD30S41S3	TM8V100C20MP11C	21.0	CF/CM/CU48D	1150	30.0	26.2	15.00	12.50
TCHD30S41S3	TM8V100C20MP11C	21.0	CF/CM30C	1150	30.0	23.8	15.00	12.50
TCHD30S41S3	TM8V100C20MP11C	21.0	CF/CM36D	1150	30.0	26.0	15.00	12.50
TCHD30S41S3	TM8V100C20MP11C	21.0	CF/CM42D	1150	30.0	26.0	15.00	12.50
TCHD30S41S3	TM8V100C20MP12C	21.0	CF/CM/CU36C	1150	30.0	25.8	15.00	12.50
TCHD30S41S3	TM8V100C20MP12C	21.0	CF/CM/CU42C	1150	30.0	26.0	15.00	12.50
TCHD30S41S3	TM8V100C20MP12C	21.0	CF/CM/CU48C	1150	30.0	26.2	15.00	12.50
TCHD30S41S3	TM8V100C20MP12C	21.0	CF/CM/CU48D	1150	30.0	26.2	15.00	12.50
TCHD30S41S3	TM8V100C20MP12C	21.0	CF/CM30C	1150	30.0	23.8	15.00	12.50
TCHD30S41S3	TM8V100C20MP12C	21.0	CF/CM36D	1150	30.0	26.0	15.00	12.50
TCHD30S41S3	TM8V100C20MP12C	21.0	CF/CM42D	1150	30.0	26.0	15.00	12.50
TCHD30S41S3	TM8V120C20MP11C	21.0	CF/CM/CU36C	1150	30.0	25.8	15.00	12.50
TCHD30S41S3	TM8V120C20MP11C	21.0	CF/CM/CU42C	1150	30.0	26.0	15.00	12.50
TCHD30S41S3	TM8V120C20MP11C	21.0	CF/CM/CU48C	1150	30.0	26.2	15.00	12.50
TCHD30S41S3	TM8V120C20MP11C	21.0	CF/CM/CU48D	1150	30.0	26.2	15.00	12.50
TCHD30S41S3	TM8V120C20MP11C	21.0	CF/CM30C	1150	30.0	23.8	15.00	12.50
TCHD30S41S3	TM8V120C20MP11C	21.0	CF/CM36D	1150	30.0	26.0	15.00	12.50
TCHD30S41S3	TM8V120C20MP11C	21.0	CF/CM42D	1150	30.0	26.0	15.00	12.50
TCHD30S41S3	TM8V120C20MP12C	21.0	CF/CM/CU36C	1150	30.0	25.8	15.00	12.50
TCHD30S41S3	TM8V120C20MP12C	21.0	CF/CM/CU42C	1150	30.0	26.0	15.00	12.50
TCHD30S41S3	TM8V120C20MP12C	21.0	CF/CM/CU48C	1150	30.0	26.2	15.00	12.50
TCHD30S41S3	TM8V120C20MP12C	21.0	CF/CM/CU48D	1150	30.0	26.2	15.00	12.50
TCHD30S41S3	TM8V120C20MP12C	21.0	CF/CM30C	1150	30.0	23.8	15.00	12.50
TCHD30S41S3	TM8V120C20MP12C	21.0	CF/CM36D	1150	30.0	26.0	15.00	12.50
TCHD30S41S3	TM8V120C20MP12C	21.0	CF/CM42D	1150	30.0	26.0	15.00	12.50
TCHD30S41S3	TM8X060A12MP11	14.5	CF/CM/CU30B	925	30.0	23.1	15.00	12.50
TCHD30S41S3	TM8X060A12MP11	14.5	CF/CM/CU36B	925	30.0	23.0	15.00	12.50
TCHD30S41S3	TM8X060A12MP11	14.5	CF42B	925	30.0	23.1	15.00	12.50
TCHD30S41S3	TM8X080B12MP11	17.5	CF/CM/CU30B	825	29.6	21.7	15.00	12.50
TCHD30S41S3	TM8X080B12MP11	17.5	CF/CM/CU36B	825	29.8	22.0	15.00	12.50
TCHD30S41S3	TM8X080B12MP11	17.5	CF/CM/CU36C	825	29.8	22.0	15.00	12.50
TCHD30S41S3	TM8X080B12MP11	17.5	CF/CM/CU42C	825	30.0	21.9	15.00	12.50
TCHD30S41S3	TM8X080B12MP11	17.5	CF/CM/CU48C	850	30.0	22.1	15.00	12.50
TCHD30S41S3	TM8X080B12MP11	17.5	CF/CM30C	825	29.6	21.7	15.00	12.50
TCHD30S41S3	TM8X080B12MP11	17.5	CF42B	800	29.6	21.4	15.00	12.50

**COOLING CAPACITY - With High Efficiency Motor Furnaces<sup>1</sup> (Continued)**

UNIT MODEL	FURNACE		COIL MODEL <sup>2</sup>	COOLING				
	MODEL	WIDTH		RATED CFM	Net MBH		SEER	EER
					TOTAL	SENS.		
TCHD30S41S3	TM8X080C16MP11	21.0	CF/CM/CU36C	950	30.0	23.5	15.00	12.50
TCHD30S41S3	TM8X080C16MP11	21.0	CF/CM/CU42C	950	30.0	23.6	15.00	12.50
TCHD30S41S3	TM8X080C16MP11	21.0	CF/CM/CU48C	950	30.0	23.6	15.00	12.50
TCHD30S41S3	TM8X080C16MP11	21.0	CF/CM/CU48D	975	30.0	24.1	15.00	12.50
TCHD30S41S3	TM8X080C16MP11	21.0	CF/CM30C	950	30.0	23.4	15.00	12.50
TCHD30S41S3	TM8X080C16MP11	21.0	CF/CM36D	975	30.0	23.6	15.00	12.50
TCHD30S41S3	TM8X080C16MP11	21.0	CF/CM42D	975	30.0	24.0	15.00	12.50
TCHD30S41S3	TM8X100C16MP11	21.0	CF/CM/CU36C	950	30.0	23.5	15.00	12.50
TCHD30S41S3	TM8X100C16MP11	21.0	CF/CM/CU42C	950	30.0	23.6	15.00	12.50
TCHD30S41S3	TM8X100C16MP11	21.0	CF/CM/CU48C	950	30.0	23.6	15.00	12.50
TCHD30S41S3	TM8X100C16MP11	21.0	CF/CM/CU48D	975	30.0	24.1	15.00	12.50
TCHD30S41S3	TM8X100C16MP11	21.0	CF/CM30C	950	30.0	23.4	15.00	12.50
TCHD30S41S3	TM8X100C16MP11	21.0	CF/CM36D	975	30.0	23.6	15.00	12.50
TCHD30S41S3	TM8X100C16MP11	21.0	CF/CM42D	975	30.0	24.0	15.00	12.50
TCHD30S41S3	TM8X100C20MP11	21.0	CF/CM/CU36C	1000	30.0	24.2	15.00	12.50
TCHD30S41S3	TM8X100C20MP11	21.0	CF/CM/CU42C	1000	30.0	24.2	15.00	12.50
TCHD30S41S3	TM8X100C20MP11	21.0	CF/CM/CU48C	1000	30.0	24.3	15.00	12.50
TCHD30S41S3	TM8X100C20MP11	21.0	CF/CM/CU48D	1000	30.0	24.3	15.00	12.50
TCHD30S41S3	TM8X100C20MP11	21.0	CF/CM30C	1000	30.0	24.0	15.00	12.50
TCHD30S41S3	TM8X100C20MP11	21.0	CF/CM36D	1000	30.0	24.2	15.00	12.50
TCHD30S41S3	TM8X100C20MP11	21.0	CF/CM42D	1000	30.0	24.2	15.00	12.50
TCHD30S41S3	TM8X120C20MP11	21.0	CF/CM/CU36C	1000	30.0	24.2	15.00	12.50
TCHD30S41S3	TM8X120C20MP11	21.0	CF/CM/CU42C	1000	30.0	24.2	15.00	12.50
TCHD30S41S3	TM8X120C20MP11	21.0	CF/CM/CU48C	1000	30.0	24.3	15.00	12.50
TCHD30S41S3	TM8X120C20MP11	21.0	CF/CM/CU48D	1000	30.0	24.3	15.00	12.50
TCHD30S41S3	TM8X120C20MP11	21.0	CF/CM30C	1000	30.0	24.0	15.00	12.50
TCHD30S41S3	TM8X120C20MP11	21.0	CF/CM36D	1000	30.0	24.2	15.00	12.50
TCHD30S41S3	TM8X120C20MP11	21.0	CF/CM42D	1000	30.0	24.2	15.00	12.50
TCHD30S41S3	TM8Y060A12MP11	14.5	CF/CM/CU30B	925	30.0	23.1	15.00	12.50
TCHD30S41S3	TM8Y060A12MP11	14.5	CF/CM/CU36B	925	30.0	23.0	15.00	12.50
TCHD30S41S3	TM8Y060A12MP11	14.5	CF42B	925	30.0	23.1	15.00	12.50
TCHD30S41S3	TM8Y080B12MP11	17.5	CF/CM/CU30B	825	29.6	21.7	15.00	12.50
TCHD30S41S3	TM8Y080B12MP11	17.5	CF/CM/CU36B	825	29.8	22.0	15.00	12.50
TCHD30S41S3	TM8Y080B12MP11	17.5	CF/CM/CU36C	825	29.8	22.0	15.00	12.50
TCHD30S41S3	TM8Y080B12MP11	17.5	CF/CM/CU42C	825	30.0	21.9	15.00	12.50
TCHD30S41S3	TM8Y080B12MP11	17.5	CF/CM/CU48C	850	30.0	22.1	15.00	12.50
TCHD30S41S3	TM8Y080B12MP11	17.5	CF/CM30C	825	29.6	21.7	15.00	12.50
TCHD30S41S3	TM8Y080B12MP11	17.5	CF42B	800	29.6	21.4	15.00	12.50
TCHD30S41S3	TM8Y080C16MP11	21.0	CF/CM/CU36C	950	30.0	23.5	15.00	12.50
TCHD30S41S3	TM8Y080C16MP11	21.0	CF/CM/CU42C	950	30.0	23.6	15.00	12.50
TCHD30S41S3	TM8Y080C16MP11	21.0	CF/CM/CU48C	950	30.0	23.6	15.00	12.50
TCHD30S41S3	TM8Y080C16MP11	21.0	CF/CM/CU48D	975	30.0	24.1	15.00	12.50
TCHD30S41S3	TM8Y080C16MP11	21.0	CF/CM30C	950	30.0	23.4	15.00	12.50
TCHD30S41S3	TM8Y080C16MP11	21.0	CF/CM36D	975	30.0	23.6	15.00	12.50
TCHD30S41S3	TM8Y080C16MP11	21.0	CF/CM42D	975	30.0	24.0	15.00	12.50
TCHD30S41S3	TM8Y100C16MP11	21.0	CF/CM/CU36C	950	30.0	23.5	15.00	12.50
TCHD30S41S3	TM8Y100C16MP11	21.0	CF/CM/CU42C	950	30.0	23.6	15.00	12.50
TCHD30S41S3	TM8Y100C16MP11	21.0	CF/CM/CU48C	950	30.0	23.6	15.00	12.50
TCHD30S41S3	TM8Y100C16MP11	21.0	CF/CM/CU48D	975	30.0	24.1	15.00	12.50
TCHD30S41S3	TM8Y100C16MP11	21.0	CF/CM30C	950	30.0	23.4	15.00	12.50
TCHD30S41S3	TM8Y100C16MP11	21.0	CF/CM36D	975	30.0	23.6	15.00	12.50
TCHD30S41S3	TM8Y100C16MP11	21.0	CF/CM42D	975	30.0	24.0	15.00	12.50
TCHD30S41S3	TM8Y100C20MP11	21.0	CF/CM/CU36C	1000	30.0	24.2	15.00	12.50

**COOLING CAPACITY - With High Efficiency Motor Furnaces<sup>1</sup> (Continued)**

UNIT MODEL	FURNACE		COIL MODEL <sup>2</sup>	COOLING				
	MODEL	WIDTH		RATED CFM	Net MBH		SEER	EER
					TOTAL	SENS.		
TCHD30S41S3	TM8Y100C20MP11	21.0	CF/CM/CU42C	1000	30.0	24.2	15.00	12.50
TCHD30S41S3	TM8Y100C20MP11	21.0	CF/CM/CU48C	1000	30.0	24.3	15.00	12.50
TCHD30S41S3	TM8Y100C20MP11	21.0	CF/CM/CU48D	1000	30.0	24.3	15.00	12.50
TCHD30S41S3	TM8Y100C20MP11	21.0	CF/CM30C	1000	30.0	24.0	15.00	12.50
TCHD30S41S3	TM8Y100C20MP11	21.0	CF/CM36D	1000	30.0	24.2	15.00	12.50
TCHD30S41S3	TM8Y100C20MP11	21.0	CF/CM42D	1000	30.0	24.2	15.00	12.50
TCHD30S41S3	TM8Y120C20MP11	21.0	CF/CM/CU36C	1000	30.0	24.2	15.00	12.50
TCHD30S41S3	TM8Y120C20MP11	21.0	CF/CM/CU42C	1000	30.0	24.2	15.00	12.50
TCHD30S41S3	TM8Y120C20MP11	21.0	CF/CM/CU48C	1000	30.0	24.3	15.00	12.50
TCHD30S41S3	TM8Y120C20MP11	21.0	CF/CM/CU48D	1000	30.0	24.3	15.00	12.50
TCHD30S41S3	TM8Y120C20MP11	21.0	CF/CM30C	1000	30.0	24.0	15.00	12.50
TCHD30S41S3	TM8Y120C20MP11	21.0	CF/CM36D	1000	30.0	24.2	15.00	12.50
TCHD30S41S3	TM8Y120C20MP11	21.0	CF/CM42D	1000	30.0	24.2	15.00	12.50
TCHD30S41S3	TM9E040A10MP11	14.5	CF/CM/CU30B	800	29.2	21.2	14.25	12.25
TCHD30S41S3	TM9E040A10MP11	14.5	CF/CM/CU36B	800	29.2	21.2	14.50	12.50
TCHD30S41S3	TM9E040A10MP11	14.5	CF/CM36A	950	29.8	23.1	14.25	12.25
TCHD30S41S3	TM9E040A10MP11	14.5	CF42B	800	29.2	21.1	14.50	12.50
TCHD30S41S3	TM9E040A10MP12	14.5	CF/CM/CU30B	800	29.2	21.1	14.50	12.50
TCHD30S41S3	TM9E040A10MP12	14.5	CF/CM/CU36B	800	29.4	21.4	14.75	12.50
TCHD30S41S3	TM9E040A10MP12	14.5	CF42B	800	29.4	21.3	14.75	12.50
TCHD30S41S3	TM9E060A10MP12	14.5	CF/CM/CU30B	825	29.4	21.5	15.00	12.50
TCHD30S41S3	TM9E060A10MP12	14.5	CF/CM/CU36B	825	29.6	21.8	15.00	12.50
TCHD30S41S3	TM9E060A10MP12	14.5	CF42B	825	29.8	21.7	15.00	12.50
TCHD30S41S3	TM9E060B12MP11	17.5	CF/CM/CU30B	850	29.6	21.9	15.00	12.50
TCHD30S41S3	TM9E060B12MP11	17.5	CF/CM/CU36B	850	29.8	21.8	15.00	12.50
TCHD30S41S3	TM9E060B12MP11	17.5	CF/CM/CU36C	875	30.0	22.5	15.00	12.50
TCHD30S41S3	TM9E060B12MP11	17.5	CF/CM/CU42C	875	29.8	22.6	15.00	12.50
TCHD30S41S3	TM9E060B12MP11	17.5	CF/CM/CU48C	875	30.0	22.7	15.00	12.50
TCHD30S41S3	TM9E060B12MP11	17.5	CF/CM30C	875	29.8	22.3	15.00	12.50
TCHD30S41S3	TM9E060B12MP11	17.5	CF42B	850	30.0	22.1	15.00	12.50
TCHD30S41S3	TM9E060B12MP12	17.5	CF/CM/CU30B	925	29.8	22.9	14.75	12.50
TCHD30S41S3	TM9E060B12MP12	17.5	CF/CM/CU36B	925	30.0	23.0	15.00	12.50
TCHD30S41S3	TM9E060B12MP12	17.5	CF/CM/CU36C	950	30.0	23.4	15.00	12.50
TCHD30S41S3	TM9E060B12MP12	17.5	CF/CM/CU42C	950	30.0	23.5	15.00	12.50
TCHD30S41S3	TM9E060B12MP12	17.5	CF/CM/CU48C	950	30.0	23.5	15.00	12.50
TCHD30S41S3	TM9E060B12MP12	17.5	CF/CM30C	950	30.0	23.3	15.00	12.50
TCHD30S41S3	TM9E060B12MP12	17.5	CF42B	925	30.0	22.9	15.00	12.50
TCHD30S41S3	TM9E080B12MP11	17.5	CF/CM/CU30B	875	29.8	22.3	15.00	12.50
TCHD30S41S3	TM9E080B12MP11	17.5	CF/CM/CU36B	875	30.0	22.5	15.00	12.50
TCHD30S41S3	TM9E080B12MP11	17.5	CF/CM/CU36C	900	30.0	22.6	15.00	12.50
TCHD30S41S3	TM9E080B12MP11	17.5	CF/CM/CU42C	900	30.0	22.7	15.00	12.50
TCHD30S41S3	TM9E080B12MP11	17.5	CF/CM/CU48C	900	30.0	22.8	15.00	12.50
TCHD30S41S3	TM9E080B12MP11	17.5	CF/CM30C	900	30.0	22.8	15.00	12.50
TCHD30S41S3	TM9E080B12MP11	17.5	CF42B	875	30.0	22.8	15.00	12.50
TCHD30S41S3	TM9E080B12MP12	17.5	CF/CM/CU30B	925	30.0	23.1	15.00	12.50
TCHD30S41S3	TM9E080B12MP12	17.5	CF/CM/CU36B	925	30.0	23.2	15.00	12.50
TCHD30S41S3	TM9E080B12MP12	17.5	CF/CM/CU36C	800	29.6	21.5	15.00	12.50
TCHD30S41S3	TM9E080B12MP12	17.5	CF/CM/CU42C	800	29.6	21.4	15.00	12.50
TCHD30S41S3	TM9E080B12MP12	17.5	CF/CM/CU48C	800	29.8	21.3	15.00	12.50
TCHD30S41S3	TM9E080B12MP12	17.5	CF/CM30C	800	29.4	21.3	15.00	12.50
TCHD30S41S3	TM9E080B12MP12	17.5	CF42B	925	30.0	23.1	15.00	12.50
TCHD30S41S3	TM9E080C16MP11	21.0	CF/CM/CU36C	975	30.0	23.6	15.00	12.50
TCHD30S41S3	TM9E080C16MP11	21.0	CF/CM/CU42C	975	30.0	23.8	15.00	12.50



**COOLING CAPACITY - With High Efficiency Motor Furnaces<sup>1</sup> (Continued)**

UNIT MODEL	FURNACE		COIL MODEL <sup>2</sup>	COOLING				
	MODEL	WIDTH		RATED CFM	Net MBH		SEER	EER
					TOTAL	SENS.		
TCHD30S41S3	TM9E080C16MP11	21.0	CF/CM/CU48C	975	30.0	24.1	15.00	12.50
TCHD30S41S3	TM9E080C16MP11	21.0	CF/CM/CU48D	975	30.0	24.1	15.00	12.50
TCHD30S41S3	TM9E080C16MP11	21.0	CF/CM30C	975	30.0	23.6	15.00	12.50
TCHD30S41S3	TM9E080C16MP11	21.0	CF/CM36D	975	30.0	23.6	15.00	12.50
TCHD30S41S3	TM9E080C16MP11	21.0	CF/CM42D	975	30.0	23.8	15.00	12.50
TCHD30S41S3	TM9E080C16MP12	21.0	CF/CM/CU36C	875	30.0	22.5	15.00	12.50
TCHD30S41S3	TM9E080C16MP12	21.0	CF/CM/CU42C	875	30.0	22.7	15.00	12.50
TCHD30S41S3	TM9E080C16MP12	21.0	CF/CM/CU48C	900	30.0	23.0	15.00	12.50
TCHD30S41S3	TM9E080C16MP12	21.0	CF/CM/CU48D	900	30.0	23.0	15.00	12.50
TCHD30S41S3	TM9E080C16MP12	21.0	CF/CM30C	875	29.8	22.3	15.00	12.50
TCHD30S41S3	TM9E080C16MP12	21.0	CF/CM36D	900	30.0	22.8	15.00	12.50
TCHD30S41S3	TM9E080C16MP12	21.0	CF/CM42D	900	30.0	22.9	15.00	12.50
TCHD30S41S3	TM9E100C16MP11	21.0	CF/CM/CU36C	975	30.0	23.6	15.00	12.50
TCHD30S41S3	TM9E100C16MP11	21.0	CF/CM/CU42C	975	30.0	23.8	15.00	12.50
TCHD30S41S3	TM9E100C16MP11	21.0	CF/CM/CU48C	1000	30.0	24.4	15.00	12.50
TCHD30S41S3	TM9E100C16MP11	21.0	CF/CM/CU48D	1000	30.0	24.4	15.00	12.50
TCHD30S41S3	TM9E100C16MP11	21.0	CF/CM30C	975	30.0	23.8	15.00	12.50
TCHD30S41S3	TM9E100C16MP11	21.0	CF/CM36D	1000	30.0	24.3	15.00	12.50
TCHD30S41S3	TM9E100C16MP11	21.0	CF/CM42D	1000	30.0	24.2	15.00	12.50
TCHD30S41S3	TM9E100C16MP12	21.0	CF/CM/CU36C	925	30.0	23.2	15.00	12.50
TCHD30S41S3	TM9E100C16MP12	21.0	CF/CM/CU42C	925	30.0	23.2	15.00	12.50
TCHD30S41S3	TM9E100C16MP12	21.0	CF/CM/CU48C	925	30.0	23.4	15.00	12.50
TCHD30S41S3	TM9E100C16MP12	21.0	CF/CM/CU48D	950	30.0	23.6	15.00	12.50
TCHD30S41S3	TM9E100C16MP12	21.0	CF/CM30C	925	30.0	23.2	15.00	12.50
TCHD30S41S3	TM9E100C16MP12	21.0	CF/CM36D	950	30.0	23.5	15.00	12.50
TCHD30S41S3	TM9E100C16MP12	21.0	CF/CM42D	950	30.0	23.6	15.00	12.50
TCHD30S41S3	TM9E100C20MP11	21.0	CF/CM/CU36C	1175	30.0	26.1	15.00	12.50
TCHD30S41S3	TM9E100C20MP11	21.0	CF/CM/CU42C	1175	30.0	26.2	15.00	12.50
TCHD30S41S3	TM9E100C20MP11	21.0	CF/CM/CU48C	1175	30.0	26.5	15.00	12.50
TCHD30S41S3	TM9E100C20MP11	21.0	CF/CM/CU48D	1200	30.0	26.4	15.00	12.50
TCHD30S41S3	TM9E100C20MP11	21.0	CF/CM30C	1175	30.0	24.2	14.75	12.50
TCHD30S41S3	TM9E100C20MP11	21.0	CF/CM36D	1200	30.0	26.3	15.00	12.50
TCHD30S41S3	TM9E100C20MP11	21.0	CF/CM42D	1200	30.0	26.4	15.00	12.50
TCHD30S41S3	TM9E100C20MP12	21.0	CF/CM/CU36C	1200	30.0	26.3	15.00	12.50
TCHD30S41S3	TM9E100C20MP12	21.0	CF/CM30C	1200	30.0	24.4	15.00	12.50
TCHD30S41S3	TM9E120D20MP11	24.5	CF/CM/CU48D	950	30.0	23.8	15.00	12.50
TCHD30S41S3	TM9E120D20MP11	24.5	CF/CM36D	950	30.0	23.5	15.00	12.50
TCHD30S41S3	TM9E120D20MP11	24.5	CF/CM42D	950	30.0	23.6	15.00	12.50
TCHD30S41S3	TM9V040A10MP12C	14.5	CF/CM/CU30B	800	29.2	21.1	14.50	12.50
TCHD30S41S3	TM9V040A10MP12C	14.5	CF/CM/CU36B	800	29.4	21.4	14.75	12.50
TCHD30S41S3	TM9V040A10MP12C	14.5	CF42B	800	29.4	21.3	14.75	12.50
TCHD30S41S3	TM9V060B12MP12C	17.5	CF/CM/CU30B	875	29.6	22.2	15.00	12.50
TCHD30S41S3	TM9V060B12MP12C	17.5	CF/CM/CU36B	875	29.8	22.4	15.00	12.50
TCHD30S41S3	TM9V060B12MP12C	17.5	CF/CM/CU36C	875	30.0	22.5	15.00	12.50
TCHD30S41S3	TM9V060B12MP12C	17.5	CF/CM/CU42C	875	29.8	22.6	15.00	12.50
TCHD30S41S3	TM9V060B12MP12C	17.5	CF/CM/CU48C	875	30.0	22.7	15.00	12.50
TCHD30S41S3	TM9V060B12MP12C	17.5	CF/CM30C	875	29.6	22.1	15.00	12.50
TCHD30S41S3	TM9V060B12MP12C	17.5	CF42B	875	29.8	22.6	15.00	12.50
TCHD30S41S3	TM9V080B12MP11C	17.5	CF/CM/CU30B	875	29.8	22.3	15.00	12.50
TCHD30S41S3	TM9V080B12MP11C	17.5	CF/CM/CU36B	800	29.6	21.6	15.00	12.50
TCHD30S41S3	TM9V080B12MP11C	17.5	CF/CM/CU36C	800	29.6	21.5	15.00	12.50
TCHD30S41S3	TM9V080B12MP11C	17.5	CF/CM/CU42C	800	29.6	21.4	15.00	12.50
TCHD30S41S3	TM9V080B12MP11C	17.5	CF/CM/CU48C	800	29.8	21.4	15.00	12.50

**COOLING CAPACITY - With High Efficiency Motor Furnaces<sup>1</sup> (Continued)**

UNIT MODEL	FURNACE		COIL MODEL <sup>2</sup>	COOLING				
	MODEL	WIDTH		RATED CFM	Net MBH		SEER	EER
					TOTAL	SENS.		
TCHD30S41S3	TM9V080B12MP11C	17.5	CF/CM30C	875	29.8	22.3	15.00	12.50
TCHD30S41S3	TM9V080B12MP11C	17.5	CF42B	800	29.6	21.4	15.00	12.50
TCHD30S41S3	TM9V080B12MP12C	17.5	CF/CM/CU30B	875	29.8	22.3	15.00	12.50
TCHD30S41S3	TM9V080B12MP12C	17.5	CF/CM/CU36B	800	29.6	21.6	15.00	12.50
TCHD30S41S3	TM9V080B12MP12C	17.5	CF/CM/CU36C	800	29.6	21.5	15.00	12.50
TCHD30S41S3	TM9V080B12MP12C	17.5	CF/CM/CU42C	800	29.6	21.4	15.00	12.50
TCHD30S41S3	TM9V080B12MP12C	17.5	CF/CM/CU48C	800	29.8	21.4	15.00	12.50
TCHD30S41S3	TM9V080B12MP12C	17.5	CF/CM30C	875	29.8	22.3	15.00	12.50
TCHD30S41S3	TM9V080B12MP12C	17.5	CF42B	800	29.6	21.4	15.00	12.50
TCHD30S41S3	TM9V080C16MP11C	21.0	CF/CM/CU36C	950	30.0	23.5	15.00	12.50
TCHD30S41S3	TM9V080C16MP11C	21.0	CF/CM/CU42C	950	30.0	23.6	15.00	12.50
TCHD30S41S3	TM9V080C16MP11C	21.0	CF/CM/CU48C	950	30.0	23.7	15.00	12.50
TCHD30S41S3	TM9V080C16MP11C	21.0	CF/CM/CU48D	950	30.0	23.6	15.00	12.50
TCHD30S41S3	TM9V080C16MP11C	21.0	CF/CM30C	950	30.0	23.5	15.00	12.50
TCHD30S41S3	TM9V080C16MP11C	21.0	CF/CM36D	950	30.0	23.5	15.00	12.50
TCHD30S41S3	TM9V080C16MP11C	21.0	CF/CM42D	950	30.0	23.6	15.00	12.50
TCHD30S41S3	TM9V080C16MP12C	21.0	CF/CM/CU36C	950	30.0	23.5	15.00	12.50
TCHD30S41S3	TM9V080C16MP12C	21.0	CF/CM/CU42C	950	30.0	23.6	15.00	12.50
TCHD30S41S3	TM9V080C16MP12C	21.0	CF/CM/CU48C	950	30.0	23.7	15.00	12.50
TCHD30S41S3	TM9V080C16MP12C	21.0	CF/CM/CU48D	950	30.0	23.6	15.00	12.50
TCHD30S41S3	TM9V080C16MP12C	21.0	CF/CM30C	950	30.0	23.5	15.00	12.50
TCHD30S41S3	TM9V080C16MP12C	21.0	CF/CM36D	950	30.0	23.5	15.00	12.50
TCHD30S41S3	TM9V080C16MP12C	21.0	CF/CM42D	950	30.0	23.6	15.00	12.50
TCHD30S41S3	TM9V100C16MP11C	21.0	CF/CM/CU36C	900	30.0	22.8	15.00	12.50
TCHD30S41S3	TM9V100C16MP11C	21.0	CF/CM/CU42C	900	30.0	22.9	15.00	12.50
TCHD30S41S3	TM9V100C16MP11C	21.0	CF/CM/CU48C	900	30.0	23.0	15.00	12.50
TCHD30S41S3	TM9V100C16MP11C	21.0	CF/CM/CU48D	900	30.0	23.0	15.00	12.50
TCHD30S41S3	TM9V100C16MP11C	21.0	CF/CM30C	1000	30.0	24.0	15.00	12.50
TCHD30S41S3	TM9V100C16MP11C	21.0	CF/CM36D	900	30.0	22.8	15.00	12.50
TCHD30S41S3	TM9V100C16MP11C	21.0	CF/CM42D	900	30.0	22.9	15.00	12.50
TCHD30S41S3	TM9V100C16MP12C	21.0	CF/CM/CU36C	900	30.0	22.8	15.00	12.50
TCHD30S41S3	TM9V100C16MP12C	21.0	CF/CM/CU42C	900	30.0	22.9	15.00	12.50
TCHD30S41S3	TM9V100C16MP12C	21.0	CF/CM/CU48C	900	30.0	23.0	15.00	12.50
TCHD30S41S3	TM9V100C16MP12C	21.0	CF/CM/CU48D	900	30.0	23.0	15.00	12.50
TCHD30S41S3	TM9V100C16MP12C	21.0	CF/CM30C	1000	30.0	24.0	15.00	12.50
TCHD30S41S3	TM9V100C16MP12C	21.0	CF/CM36D	900	30.0	22.8	15.00	12.50
TCHD30S41S3	TM9V100C16MP12C	21.0	CF/CM42D	900	30.0	22.9	15.00	12.50
TCHD30S41S3	TM9V100C20MP11C	21.0	CF/CM/CU36C	1100	30.0	25.1	15.00	12.50
TCHD30S41S3	TM9V100C20MP11C	21.0	CF/CM/CU42C	1100	30.0	25.5	15.00	12.50
TCHD30S41S3	TM9V100C20MP11C	21.0	CF/CM/CU48C	1100	30.0	25.3	15.00	12.50
TCHD30S41S3	TM9V100C20MP11C	21.0	CF/CM/CU48D	1100	30.0	25.3	15.00	12.50
TCHD30S41S3	TM9V100C20MP11C	21.0	CF/CM30C	1100	30.0	25.1	15.00	12.50
TCHD30S41S3	TM9V100C20MP11C	21.0	CF/CM36D	1100	30.0	25.1	15.00	12.50
TCHD30S41S3	TM9V100C20MP11C	21.0	CF/CM42D	1100	30.0	25.5	15.00	12.50
TCHD30S41S3	TM9V100C20MP12C	21.0	CF/CM/CU36C	1100	30.0	25.1	15.00	12.50
TCHD30S41S3	TM9V100C20MP12C	21.0	CF/CM/CU42C	1100	30.0	25.5	15.00	12.50
TCHD30S41S3	TM9V100C20MP12C	21.0	CF/CM/CU48C	1100	30.0	25.3	15.00	12.50
TCHD30S41S3	TM9V100C20MP12C	21.0	CF/CM/CU48D	1100	30.0	25.3	15.00	12.50
TCHD30S41S3	TM9V100C20MP12C	21.0	CF/CM30C	1100	30.0	25.1	15.00	12.50
TCHD30S41S3	TM9V100C20MP12C	21.0	CF/CM36D	1100	30.0	25.1	15.00	12.50
TCHD30S41S3	TM9V100C20MP12C	21.0	CF/CM42D	1100	30.0	25.5	15.00	12.50
TCHD30S41S3	TM9V120D20MP11C	24.5	CF/CM/CU48D	1050	30.0	25.1	15.00	12.50
TCHD30S41S3	TM9V120D20MP11C	24.5	CF/CM36D	1050	30.0	25.1	15.00	12.50

**COOLING CAPACITY - With High Efficiency Motor Furnaces<sup>1</sup> (Continued)**

UNIT MODEL	FURNACE		COIL MODEL <sup>2</sup>	COOLING				
	MODEL	WIDTH		RATED CFM	Net MBH		SEER	EER
					TOTAL	SENS.		
TCHD30S41S3	TM9V120D20MP11C	24.5	CF/CM42D	1050	30.0	24.8	15.00	12.50
TCHD30S41S3	TM9V120D20MP12C	24.5	CF/CM/CU48D	1050	30.0	25.1	15.00	12.50
TCHD30S41S3	TM9V120D20MP12C	24.5	CF/CM36D	1050	30.0	25.1	15.00	12.50
TCHD30S41S3	TM9V120D20MP12C	24.5	CF/CM42D	1050	30.0	24.8	15.00	12.50
TCHD30S41S3	TM9Y040A10MP11	14.5	CF/CM/CU30B	800	29.2	21.2	14.25	12.25
TCHD30S41S3	TM9Y040A10MP11	14.5	CF/CM/CU36B	800	29.2	21.2	14.50	12.50
TCHD30S41S3	TM9Y040A10MP11	14.5	CF/CM36A	950	29.8	23.1	14.25	12.25
TCHD30S41S3	TM9Y040A10MP11	14.5	CF42B	800	29.2	21.1	14.50	12.50
TCHD30S41S3	TM9Y060B12MP11	17.5	CF/CM/CU30B	850	29.6	21.9	15.00	12.50
TCHD30S41S3	TM9Y060B12MP11	17.5	CF/CM/CU36B	850	29.8	21.8	15.00	12.50
TCHD30S41S3	TM9Y060B12MP11	17.5	CF/CM/CU36C	875	30.0	22.5	15.00	12.50
TCHD30S41S3	TM9Y060B12MP11	17.5	CF/CM/CU42C	875	29.8	22.6	15.00	12.50
TCHD30S41S3	TM9Y060B12MP11	17.5	CF/CM/CU48C	875	30.0	22.7	15.00	12.50
TCHD30S41S3	TM9Y060B12MP11	17.5	CF/CM30C	875	29.8	22.3	15.00	12.50
TCHD30S41S3	TM9Y060B12MP11	17.5	CF42B	850	30.0	22.1	15.00	12.50
TCHD30S41S3	TM9Y080B12MP11	17.5	CF/CM/CU30B	875	29.8	22.3	15.00	12.50
TCHD30S41S3	TM9Y080B12MP11	17.5	CF/CM/CU36B	875	30.0	22.5	15.00	12.50
TCHD30S41S3	TM9Y080B12MP11	17.5	CF/CM/CU36C	900	30.0	22.6	15.00	12.50
TCHD30S41S3	TM9Y080B12MP11	17.5	CF/CM/CU42C	900	30.0	22.7	15.00	12.50
TCHD30S41S3	TM9Y080B12MP11	17.5	CF/CM/CU48C	900	30.0	22.8	15.00	12.50
TCHD30S41S3	TM9Y080B12MP11	17.5	CF/CM30C	900	30.0	22.8	15.00	12.50
TCHD30S41S3	TM9Y080B12MP11	17.5	CF42B	875	30.0	22.8	15.00	12.50
TCHD30S41S3	TM9Y080C16MP11	21.0	CF/CM/CU36C	975	30.0	23.6	15.00	12.50
TCHD30S41S3	TM9Y080C16MP11	21.0	CF/CM/CU42C	975	30.0	23.8	15.00	12.50
TCHD30S41S3	TM9Y080C16MP11	21.0	CF/CM/CU48C	975	30.0	24.1	15.00	12.50
TCHD30S41S3	TM9Y080C16MP11	21.0	CF/CM/CU48D	975	30.0	24.1	15.00	12.50
TCHD30S41S3	TM9Y080C16MP11	21.0	CF/CM30C	975	30.0	23.6	15.00	12.50
TCHD30S41S3	TM9Y080C16MP11	21.0	CF/CM36D	975	30.0	23.6	15.00	12.50
TCHD30S41S3	TM9Y080C16MP11	21.0	CF/CM42D	975	30.0	23.8	15.00	12.50
TCHD30S41S3	TM9Y100C16MP11	21.0	CF/CM/CU36C	975	30.0	23.6	15.00	12.50
TCHD30S41S3	TM9Y100C16MP11	21.0	CF/CM/CU42C	975	30.0	23.8	15.00	12.50
TCHD30S41S3	TM9Y100C16MP11	21.0	CF/CM/CU48C	1000	30.0	24.4	15.00	12.50
TCHD30S41S3	TM9Y100C16MP11	21.0	CF/CM/CU48D	1000	30.0	24.4	15.00	12.50
TCHD30S41S3	TM9Y100C16MP11	21.0	CF/CM30C	975	30.0	23.8	15.00	12.50
TCHD30S41S3	TM9Y100C16MP11	21.0	CF/CM36D	1000	30.0	24.3	15.00	12.50
TCHD30S41S3	TM9Y100C16MP11	21.0	CF/CM42D	1000	30.0	24.2	15.00	12.50
TCHD30S41S3	TM9Y100C20MP11	21.0	CF/CM/CU36C	1175	30.0	26.1	15.00	12.50
TCHD30S41S3	TM9Y100C20MP11	21.0	CF/CM/CU42C	1175	30.0	26.2	15.00	12.50
TCHD30S41S3	TM9Y100C20MP11	21.0	CF/CM/CU48C	1175	30.0	26.5	15.00	12.50
TCHD30S41S3	TM9Y100C20MP11	21.0	CF/CM/CU48D	1200	30.0	26.4	15.00	12.50
TCHD30S41S3	TM9Y100C20MP11	21.0	CF/CM30C	1175	30.0	24.2	14.75	12.50
TCHD30S41S3	TM9Y100C20MP11	21.0	CF/CM36D	1200	30.0	26.3	15.00	12.50
TCHD30S41S3	TM9Y100C20MP11	21.0	CF/CM42D	1200	30.0	26.4	15.00	12.50
TCHD30S41S3	TM9Y120D20MP11	24.5	CF/CM/CU48D	950	30.0	23.8	15.00	12.50
TCHD30S41S3	TM9Y120D20MP11	24.5	CF/CM36D	950	30.0	23.5	15.00	12.50
TCHD30S41S3	TM9Y120D20MP11	24.5	CF/CM42D	950	30.0	23.6	15.00	12.50
TCHD30S41S3	TMLE040A12MP11	14.5	CF/CM/CU30B	875	29.8	22.3	15.00	12.50
TCHD30S41S3	TMLE040A12MP11	14.5	CF/CM/CU36B	875	30.0	22.5	15.00	12.50
TCHD30S41S3	TMLE040A12MP11	14.5	CF42B	850	30.0	22.1	15.00	12.50
TCHD30S41S3	TMLE060A12MP11	14.5	CF/CM/CU30B	875	29.8	22.3	15.00	12.50
TCHD30S41S3	TMLE060A12MP11	14.5	CF/CM/CU36B	875	30.0	22.5	15.00	12.50
TCHD30S41S3	TMLE060A12MP11	14.5	CF42B	800	29.6	21.4	15.00	12.50
TCHD30S41S3	TMLE080B12MP11	17.5	CF/CM/CU30B	900	30.0	22.8	15.00	12.50

**COOLING CAPACITY - With High Efficiency Motor Furnaces<sup>1</sup> (Continued)**

UNIT MODEL	FURNACE		COIL MODEL <sup>2</sup>	COOLING				
	MODEL	WIDTH		RATED CFM	Net MBH		SEER	EER
					TOTAL	SENS.		
TCHD30S41S3	TMLE080B12MP11	17.5	CF/CM/CU36B	875	30.0	22.5	15.00	12.50
TCHD30S41S3	TMLE080B12MP11	17.5	CF/CM/CU36C	900	30.0	22.6	15.00	12.50
TCHD30S41S3	TMLE080B12MP11	17.5	CF/CM/CU42C	900	30.0	22.7	15.00	12.50
TCHD30S41S3	TMLE080B12MP11	17.5	CF/CM/CU48C	900	30.0	22.8	15.00	12.50
TCHD30S41S3	TMLE080B12MP11	17.5	CF/CM30C	900	30.0	22.8	15.00	12.50
TCHD30S41S3	TMLE080B12MP11	17.5	CF42B	875	30.0	22.8	15.00	12.50
TCHD30S41S3	TMLE080C16MP11	21.0	CF/CM/CU36C	950	30.0	23.5	15.00	12.50
TCHD30S41S3	TMLE080C16MP11	21.0	CF/CM/CU42C	950	30.0	23.6	15.00	12.50
TCHD30S41S3	TMLE080C16MP11	21.0	CF/CM/CU48C	800	30.0	21.5	15.00	12.50
TCHD30S41S3	TMLE080C16MP11	21.0	CF/CM/CU48D	950	30.0	23.6	15.00	12.50
TCHD30S41S3	TMLE080C16MP11	21.0	CF/CM30C	950	30.0	23.4	15.00	12.50
TCHD30S41S3	TMLE080C16MP11	21.0	CF/CM36D	950	30.0	23.5	15.00	12.50
TCHD30S41S3	TMLE080C16MP11	21.0	CF/CM42D	950	30.0	23.6	15.00	12.50
TCHD30S41S3	TMLE100B12MP11	17.5	CF/CM/CU30B	825	29.6	21.7	15.00	12.50
TCHD30S41S3	TMLE100B12MP11	17.5	CF/CM/CU36B	825	29.8	22.0	15.00	12.50
TCHD30S41S3	TMLE100B12MP11	17.5	CF/CM/CU36C	825	29.8	22.0	15.00	12.50
TCHD30S41S3	TMLE100B12MP11	17.5	CF/CM/CU42C	850	30.0	22.3	15.00	12.50
TCHD30S41S3	TMLE100B12MP11	17.5	CF/CM/CU48C	850	30.0	22.1	15.00	12.50
TCHD30S41S3	TMLE100B12MP11	17.5	CF/CM30C	925	30.0	23.0	15.00	12.50
TCHD30S41S3	TMLE100B12MP11	17.5	CF42B	800	29.6	21.4	15.00	12.50
TCHD30S41S3	TMLE100C16MP11	21.0	CF/CM/CU36C	925	30.0	23.2	15.00	12.50
TCHD30S41S3	TMLE100C16MP11	21.0	CF/CM/CU42C	925	30.0	23.2	15.00	12.50
TCHD30S41S3	TMLE100C16MP11	21.0	CF/CM/CU48C	950	30.0	23.6	15.00	12.50
TCHD30S41S3	TMLE100C16MP11	21.0	CF/CM/CU48D	950	30.0	23.6	15.00	12.50
TCHD30S41S3	TMLE100C16MP11	21.0	CF/CM30C	925	30.0	23.2	15.00	12.50
TCHD30S41S3	TMLE100C16MP11	21.0	CF/CM36D	950	30.0	23.5	15.00	12.50
TCHD30S41S3	TMLE100C16MP11	21.0	CF/CM42D	950	30.0	23.6	15.00	12.50
TCHD30S41S3	TMLE120C16MP11	21.0	CF/CM/CU36C	950	30.0	23.5	15.00	12.50
TCHD30S41S3	TMLE120C16MP11	21.0	CF/CM/CU42C	950	30.0	23.6	15.00	12.50
TCHD30S41S3	TMLE120C16MP11	21.0	CF/CM/CU48C	950	30.0	23.6	15.00	12.50
TCHD30S41S3	TMLE120C16MP11	21.0	CF/CM/CU48D	950	30.0	23.6	15.00	12.50
TCHD30S41S3	TMLE120C16MP11	21.0	CF/CM30C	950	30.0	23.4	15.00	12.50
TCHD30S41S3	TMLE120C16MP11	21.0	CF/CM36D	950	30.0	23.5	15.00	12.50
TCHD30S41S3	TMLE120C16MP11	21.0	CF/CM42D	950	30.0	23.6	15.00	12.50
TCHD30S41S3	TMLV060A12MP11C	14.5	CF/CM/CU30B	875	29.8	22.3	15.00	12.50
TCHD30S41S3	TMLV060A12MP11C	14.5	CF/CM/CU36B	800	29.6	21.6	15.00	12.50
TCHD30S41S3	TMLV060A12MP11C	14.5	CF42B	800	29.6	21.4	15.00	12.50
TCHD30S41S3	TMLV060A12MP12C	14.5	CF/CM/CU30B	875	29.8	22.3	15.00	12.50
TCHD30S41S3	TMLV060A12MP12C	14.5	CF/CM/CU36B	800	29.6	21.6	15.00	12.50
TCHD30S41S3	TMLV060A12MP12C	14.5	CF/CM36A	900	29.6	22.2	14.25	12.50
TCHD30S41S3	TMLV060A12MP12C	14.5	CF42B	800	29.6	21.4	15.00	12.50
TCHD30S41S3	TMLV080B12MP11C	17.5	CF/CM/CU30B	825	29.4	21.5	15.00	12.50
TCHD30S41S3	TMLV080B12MP11C	17.5	CF/CM/CU36B	825	29.6	21.8	15.00	12.50
TCHD30S41S3	TMLV080B12MP11C	17.5	CF/CM/CU36C	825	29.6	21.8	15.00	12.50
TCHD30S41S3	TMLV080B12MP11C	17.5	CF/CM/CU42C	825	29.8	21.7	15.00	12.50
TCHD30S41S3	TMLV080B12MP11C	17.5	CF/CM/CU48C	825	30.0	21.9	15.00	12.50
TCHD30S41S3	TMLV080B12MP11C	17.5	CF/CM30C	825	29.4	21.5	15.00	12.50
TCHD30S41S3	TMLV080B12MP11C	17.5	CF42B	825	29.8	21.7	15.00	12.50
TCHD30S41S3	TMLV080B12MP12C	17.5	CF/CM/CU30B	825	29.4	21.5	15.00	12.50
TCHD30S41S3	TMLV080B12MP12C	17.5	CF/CM/CU36B	825	29.6	21.8	15.00	12.50
TCHD30S41S3	TMLV080B12MP12C	17.5	CF/CM/CU36C	825	29.6	21.8	15.00	12.50
TCHD30S41S3	TMLV080B12MP12C	17.5	CF/CM/CU42C	825	29.8	21.7	15.00	12.50
TCHD30S41S3	TMLV080B12MP12C	17.5	CF/CM/CU48C	825	30.0	21.9	15.00	12.50

**COOLING CAPACITY - With High Efficiency Motor Furnaces<sup>1</sup> (Continued)**

UNIT MODEL	FURNACE		COIL MODEL <sup>2</sup>	COOLING				
	MODEL	WIDTH		RATED CFM	Net MBH		SEER	EER
					TOTAL	SENS.		
TCHD30S41S3	TMLV080B12MP12C	17.5	CF/CM30C	825	29.4	21.5	15.00	12.50
TCHD30S41S3	TMLV080B12MP12C	17.5	CF42B	825	29.8	21.7	15.00	12.50
TCHD30S41S3	TMLV080C16MP11C	21.0	CF/CM/CU36C	875	30.0	22.5	15.00	12.50
TCHD30S41S3	TMLV080C16MP11C	21.0	CF/CM/CU42C	950	30.0	23.6	15.00	12.50
TCHD30S41S3	TMLV080C16MP11C	21.0	CF/CM/CU48C	875	30.0	22.7	15.00	12.50
TCHD30S41S3	TMLV080C16MP11C	21.0	CF/CM/CU48D	875	30.0	22.9	15.00	12.50
TCHD30S41S3	TMLV080C16MP11C	21.0	CF/CM30C	875	29.8	22.3	15.00	12.50
TCHD30S41S3	TMLV080C16MP11C	21.0	CF/CM36D	875	30.0	22.5	15.00	12.50
TCHD30S41S3	TMLV080C16MP11C	21.0	CF/CM42D	950	30.0	23.6	15.00	12.50
TCHD30S41S3	TMLV080C16MP12C	21.0	CF/CM/CU36C	875	30.0	22.5	15.00	12.50
TCHD30S41S3	TMLV080C16MP12C	21.0	CF/CM/CU42C	950	30.0	23.6	15.00	12.50
TCHD30S41S3	TMLV080C16MP12C	21.0	CF/CM/CU48C	875	30.0	22.7	15.00	12.50
TCHD30S41S3	TMLV080C16MP12C	21.0	CF/CM/CU48D	875	30.0	22.9	15.00	12.50
TCHD30S41S3	TMLV080C16MP12C	21.0	CF/CM30C	875	29.8	22.3	15.00	12.50
TCHD30S41S3	TMLV080C16MP12C	21.0	CF/CM36D	875	30.0	22.5	15.00	12.50
TCHD30S41S3	TMLV080C16MP12C	21.0	CF/CM42D	950	30.0	23.6	15.00	12.50
TCHD30S41S3	TMLV100C16MP11C	21.0	CF/CM/CU36C	875	30.0	22.5	15.00	12.50
TCHD30S41S3	TMLV100C16MP11C	21.0	CF/CM/CU42C	950	30.0	23.6	15.00	12.50
TCHD30S41S3	TMLV100C16MP11C	21.0	CF/CM/CU48C	875	30.0	22.7	15.00	12.50
TCHD30S41S3	TMLV100C16MP11C	21.0	CF/CM/CU48D	875	30.0	22.9	15.00	12.50
TCHD30S41S3	TMLV100C16MP11C	21.0	CF/CM30C	875	29.8	22.3	15.00	12.50
TCHD30S41S3	TMLV100C16MP11C	21.0	CF/CM36D	875	30.0	22.5	15.00	12.50
TCHD30S41S3	TMLV100C16MP11C	21.0	CF/CM42D	950	30.0	23.6	15.00	12.50
TCHD30S41S3	TMLV100C16MP12C	21.0	CF/CM/CU36C	875	30.0	22.5	15.00	12.50
TCHD30S41S3	TMLV100C16MP12C	21.0	CF/CM/CU42C	950	30.0	23.6	15.00	12.50
TCHD30S41S3	TMLV100C16MP12C	21.0	CF/CM/CU48C	875	30.0	22.7	15.00	12.50
TCHD30S41S3	TMLV100C16MP12C	21.0	CF/CM/CU48D	875	30.0	22.9	15.00	12.50
TCHD30S41S3	TMLV100C16MP12C	21.0	CF/CM30C	875	29.8	22.3	15.00	12.50
TCHD30S41S3	TMLV100C16MP12C	21.0	CF/CM36D	875	30.0	22.5	15.00	12.50
TCHD30S41S3	TMLV100C16MP12C	21.0	CF/CM42D	950	30.0	23.6	15.00	12.50
TCHD30S41S3	TMLV100C20MP11C	21.0	CF/CM/CU36C	1150	30.0	25.8	15.00	12.50
TCHD30S41S3	TMLV100C20MP11C	21.0	CF/CM/CU42C	1150	30.0	26.0	15.00	12.50
TCHD30S41S3	TMLV100C20MP11C	21.0	CF/CM/CU48C	1150	30.0	26.2	15.00	12.50
TCHD30S41S3	TMLV100C20MP11C	21.0	CF/CM/CU48D	1150	30.0	26.2	15.00	12.50
TCHD30S41S3	TMLV100C20MP11C	21.0	CF/CM30C	1150	30.0	23.8	15.00	12.50
TCHD30S41S3	TMLV100C20MP11C	21.0	CF/CM36D	1150	30.0	26.0	15.00	12.50
TCHD30S41S3	TMLV100C20MP11C	21.0	CF/CM42D	1150	30.0	26.0	15.00	12.50
TCHD30S41S3	TMLV100C20MP12C	21.0	CF/CM/CU36C	1150	30.0	25.8	15.00	12.50
TCHD30S41S3	TMLV100C20MP12C	21.0	CF/CM/CU42C	1150	30.0	26.0	15.00	12.50
TCHD30S41S3	TMLV100C20MP12C	21.0	CF/CM/CU48C	1150	30.0	26.2	15.00	12.50
TCHD30S41S3	TMLV100C20MP12C	21.0	CF/CM/CU48D	1150	30.0	26.2	15.00	12.50
TCHD30S41S3	TMLV100C20MP12C	21.0	CF/CM30C	1150	30.0	23.8	15.00	12.50
TCHD30S41S3	TMLV100C20MP12C	21.0	CF/CM36D	1150	30.0	26.0	15.00	12.50
TCHD30S41S3	TMLV100C20MP12C	21.0	CF/CM42D	1150	30.0	26.0	15.00	12.50
TCHD30S41S3	TMLV120C20MP11C	21.0	CF/CM/CU36C	1150	30.0	25.8	15.00	12.50
TCHD30S41S3	TMLV120C20MP11C	21.0	CF/CM/CU42C	1150	30.0	26.0	15.00	12.50
TCHD30S41S3	TMLV120C20MP11C	21.0	CF/CM/CU48C	1150	30.0	26.2	15.00	12.50
TCHD30S41S3	TMLV120C20MP11C	21.0	CF/CM/CU48D	1150	30.0	26.2	15.00	12.50
TCHD30S41S3	TMLV120C20MP11C	21.0	CF/CM30C	1150	30.0	23.8	15.00	12.50
TCHD30S41S3	TMLV120C20MP11C	21.0	CF/CM36D	1150	30.0	26.0	15.00	12.50
TCHD30S41S3	TMLV120C20MP11C	21.0	CF/CM42D	1150	30.0	26.0	15.00	12.50
TCHD30S41S3	TMLV120C20MP12C	21.0	CF/CM/CU36C	1150	30.0	25.8	15.00	12.50
TCHD30S41S3	TMLV120C20MP12C	21.0	CF/CM/CU42C	1150	30.0	26.0	15.00	12.50

**COOLING CAPACITY - With High Efficiency Motor Furnaces<sup>1</sup> (Continued)**

UNIT MODEL	FURNACE		COIL MODEL <sup>2</sup>	COOLING				
	MODEL	WIDTH		RATED CFM	Net MBH		SEER	EER
					TOTAL	SENS.		
TCHD30S41S3	TMLV120C20MP12C	21.0	CF/CM/CU48C	1150	30.0	26.2	15.00	12.50
TCHD30S41S3	TMLV120C20MP12C	21.0	CF/CM/CU48D	1150	30.0	26.2	15.00	12.50
TCHD30S41S3	TMLV120C20MP12C	21.0	CF/CM30C	1150	30.0	23.8	15.00	12.50
TCHD30S41S3	TMLV120C20MP12C	21.0	CF/CM36D	1150	30.0	26.0	15.00	12.50
TCHD30S41S3	TMLV120C20MP12C	21.0	CF/CM42D	1150	30.0	26.0	15.00	12.50
TCHD30S41S3	TMLX060A12MP11	14.5	CF/CM/CU30B	925	30.0	23.1	15.00	12.50
TCHD30S41S3	TMLX060A12MP11	14.5	CF/CM/CU36B	925	30.0	23.0	15.00	12.50
TCHD30S41S3	TMLX060A12MP11	14.5	CF42B	925	30.0	23.1	15.00	12.50
TCHD30S41S3	TMLX080B12MP11	17.5	CF/CM/CU30B	825	29.6	21.7	15.00	12.50
TCHD30S41S3	TMLX080B12MP11	17.5	CF/CM/CU36B	825	29.8	22.0	15.00	12.50
TCHD30S41S3	TMLX080B12MP11	17.5	CF/CM/CU36C	825	29.8	22.0	15.00	12.50
TCHD30S41S3	TMLX080B12MP11	17.5	CF/CM/CU42C	825	30.0	21.9	15.00	12.50
TCHD30S41S3	TMLX080B12MP11	17.5	CF/CM/CU48C	850	30.0	22.1	15.00	12.50
TCHD30S41S3	TMLX080B12MP11	17.5	CF/CM30C	825	29.6	21.7	15.00	12.50
TCHD30S41S3	TMLX080B12MP11	17.5	CF42B	800	29.6	21.4	15.00	12.50
TCHD30S41S3	TMLX080C16MP11	21.0	CF/CM/CU36C	950	30.0	23.5	15.00	12.50
TCHD30S41S3	TMLX080C16MP11	21.0	CF/CM/CU42C	950	30.0	23.6	15.00	12.50
TCHD30S41S3	TMLX080C16MP11	21.0	CF/CM/CU48C	950	30.0	23.6	15.00	12.50
TCHD30S41S3	TMLX080C16MP11	21.0	CF/CM/CU48D	975	30.0	24.1	15.00	12.50
TCHD30S41S3	TMLX080C16MP11	21.0	CF/CM30C	950	30.0	23.4	15.00	12.50
TCHD30S41S3	TMLX080C16MP11	21.0	CF/CM36D	975	30.0	23.6	15.00	12.50
TCHD30S41S3	TMLX080C16MP11	21.0	CF/CM42D	975	30.0	24.0	15.00	12.50
TCHD30S41S3	TMLX100C16MP11	21.0	CF/CM/CU36C	950	30.0	23.5	15.00	12.50
TCHD30S41S3	TMLX100C16MP11	21.0	CF/CM/CU42C	950	30.0	23.6	15.00	12.50
TCHD30S41S3	TMLX100C16MP11	21.0	CF/CM/CU48C	950	30.0	23.6	15.00	12.50
TCHD30S41S3	TMLX100C16MP11	21.0	CF/CM/CU48D	975	30.0	24.1	15.00	12.50
TCHD30S41S3	TMLX100C16MP11	21.0	CF/CM30C	950	30.0	23.4	15.00	12.50
TCHD30S41S3	TMLX100C16MP11	21.0	CF/CM36D	975	30.0	23.6	15.00	12.50
TCHD30S41S3	TMLX100C16MP11	21.0	CF/CM42D	975	30.0	24.0	15.00	12.50
TCHD30S41S3	TMLX100C20MP11	21.0	CF/CM/CU36C	1000	30.0	24.2	15.00	12.50
TCHD30S41S3	TMLX100C20MP11	21.0	CF/CM/CU42C	1000	30.0	24.2	15.00	12.50
TCHD30S41S3	TMLX100C20MP11	21.0	CF/CM/CU48C	1000	30.0	24.3	15.00	12.50
TCHD30S41S3	TMLX100C20MP11	21.0	CF/CM/CU48D	1000	30.0	24.3	15.00	12.50
TCHD30S41S3	TMLX100C20MP11	21.0	CF/CM30C	1000	30.0	24.0	15.00	12.50
TCHD30S41S3	TMLX100C20MP11	21.0	CF/CM36D	1000	30.0	24.2	15.00	12.50
TCHD30S41S3	TMLX100C20MP11	21.0	CF/CM42D	1000	30.0	24.2	15.00	12.50
TCHD30S41S3	TMLX120C20MP11	21.0	CF/CM/CU36C	1000	30.0	24.2	15.00	12.50
TCHD30S41S3	TMLX120C20MP11	21.0	CF/CM/CU42C	1000	30.0	24.2	15.00	12.50
TCHD30S41S3	TMLX120C20MP11	21.0	CF/CM/CU48C	1000	30.0	24.3	15.00	12.50
TCHD30S41S3	TMLX120C20MP11	21.0	CF/CM/CU48D	1000	30.0	24.3	15.00	12.50
TCHD30S41S3	TMLX120C20MP11	21.0	CF/CM30C	1000	30.0	24.0	15.00	12.50
TCHD30S41S3	TMLX120C20MP11	21.0	CF/CM36D	1000	30.0	24.2	15.00	12.50
TCHD30S41S3	TMLX120C20MP11	21.0	CF/CM42D	1000	30.0	24.2	15.00	12.50
TCHD30S41S3	TP9C060B12MP13C	17.5	CF/CM/CU30B	875	29.6	22.2	15.00	12.50
TCHD30S41S3	TP9C060B12MP13C	17.5	CF/CM/CU36B	875	29.8	22.4	15.00	12.50
TCHD30S41S3	TP9C060B12MP13C	17.5	CF/CM/CU36C	875	30.0	22.5	15.00	12.50
TCHD30S41S3	TP9C060B12MP13C	17.5	CF/CM/CU42C	875	29.8	22.6	15.00	12.50
TCHD30S41S3	TP9C060B12MP13C	17.5	CF/CM/CU48C	875	30.0	22.7	15.00	12.50
TCHD30S41S3	TP9C060B12MP13C	17.5	CF/CM30C	875	29.6	22.1	15.00	12.50
TCHD30S41S3	TP9C060B12MP13C	17.5	CF42B	875	29.8	22.6	15.00	12.50
TCHD30S41S3	TP9C080B12MP12C	17.5	CF/CM/CU30B	875	29.8	22.3	15.00	12.50
TCHD30S41S3	TP9C080B12MP12C	17.5	CF/CM/CU36B	800	29.6	21.6	15.00	12.50
TCHD30S41S3	TP9C080B12MP12C	17.5	CF/CM/CU36C	800	29.6	21.5	15.00	12.50



**COOLING CAPACITY - With High Efficiency Motor Furnaces<sup>1</sup> (Continued)**

UNIT MODEL	FURNACE		COIL MODEL <sup>2</sup>	RATED CFM	COOLING		SEER	EER
	MODEL	WIDTH			Net MBH			
					TOTAL	SENS.		
TCHD30S41S3	TP9C080B12MP12C	17.5	CF/CM/CU42C	800	29.6	21.4	15.00	12.50
TCHD30S41S3	TP9C080B12MP12C	17.5	CF/CM/CU48C	800	29.8	21.4	15.00	12.50
TCHD30S41S3	TP9C080B12MP12C	17.5	CF/CM30C	875	29.8	22.3	15.00	12.50
TCHD30S41S3	TP9C080B12MP12C	17.5	CF42B	800	29.6	21.4	15.00	12.50
TCHD30S41S3	TP9C080B12MP13C	17.5	CF/CM/CU30B	875	29.8	22.3	15.00	12.50
TCHD30S41S3	TP9C080B12MP13C	17.5	CF/CM/CU36B	800	29.6	21.6	15.00	12.50
TCHD30S41S3	TP9C080B12MP13C	17.5	CF/CM/CU36C	800	29.6	21.5	15.00	12.50
TCHD30S41S3	TP9C080B12MP13C	17.5	CF/CM/CU42C	800	29.6	21.4	15.00	12.50
TCHD30S41S3	TP9C080B12MP13C	17.5	CF/CM/CU48C	800	29.8	21.4	15.00	12.50
TCHD30S41S3	TP9C080B12MP13C	17.5	CF/CM30C	875	29.8	22.3	15.00	12.50
TCHD30S41S3	TP9C080B12MP13C	17.5	CF42B	800	29.6	21.4	15.00	12.50
TCHD30S41S3	TP9C080C16MP13C	21.0	CF/CM/CU36C	950	30.0	23.5	15.00	12.50
TCHD30S41S3	TP9C080C16MP13C	21.0	CF/CM/CU42C	950	30.0	23.6	15.00	12.50
TCHD30S41S3	TP9C080C16MP13C	21.0	CF/CM/CU48C	950	30.0	23.7	15.00	12.50
TCHD30S41S3	TP9C080C16MP13C	21.0	CF/CM/CU48D	950	30.0	23.6	15.00	12.50
TCHD30S41S3	TP9C080C16MP13C	21.0	CF/CM30C	950	30.0	23.5	15.00	12.50
TCHD30S41S3	TP9C080C16MP13C	21.0	CF/CM36D	950	30.0	23.5	15.00	12.50
TCHD30S41S3	TP9C080C16MP13C	21.0	CF/CM42D	950	30.0	23.6	15.00	12.50
TCHD30S41S3	TP9C100C16MP12C	21.0	CF/CM/CU36C	900	30.0	22.8	15.00	12.50
TCHD30S41S3	TP9C100C16MP12C	21.0	CF/CM/CU42C	900	30.0	22.9	15.00	12.50
TCHD30S41S3	TP9C100C16MP12C	21.0	CF/CM/CU48C	900	30.0	23.0	15.00	12.50
TCHD30S41S3	TP9C100C16MP12C	21.0	CF/CM/CU48D	900	30.0	23.0	15.00	12.50
TCHD30S41S3	TP9C100C16MP12C	21.0	CF/CM30C	1000	30.0	24.0	15.00	12.50
TCHD30S41S3	TP9C100C16MP12C	21.0	CF/CM36D	900	30.0	22.8	15.00	12.50
TCHD30S41S3	TP9C100C16MP12C	21.0	CF/CM42D	900	30.0	22.9	15.00	12.50
TCHD30S41S3	TP9C100C16MP13C	21.0	CF/CM/CU36C	900	30.0	22.8	15.00	12.50
TCHD30S41S3	TP9C100C16MP13C	21.0	CF/CM/CU42C	900	30.0	22.9	15.00	12.50
TCHD30S41S3	TP9C100C16MP13C	21.0	CF/CM/CU48C	900	30.0	23.0	15.00	12.50
TCHD30S41S3	TP9C100C16MP13C	21.0	CF/CM/CU48D	900	30.0	23.0	15.00	12.50
TCHD30S41S3	TP9C100C16MP13C	21.0	CF/CM30C	1000	30.0	24.0	15.00	12.50
TCHD30S41S3	TP9C100C16MP13C	21.0	CF/CM36D	900	30.0	22.8	15.00	12.50
TCHD30S41S3	TP9C100C16MP13C	21.0	CF/CM42D	900	30.0	22.9	15.00	12.50
TCHD30S41S3	TP9C100C20MP12C	21.0	CF/CM/CU36C	1100	30.0	25.1	15.00	12.50
TCHD30S41S3	TP9C100C20MP12C	21.0	CF/CM/CU42C	1100	30.0	25.5	15.00	12.50
TCHD30S41S3	TP9C100C20MP12C	21.0	CF/CM/CU48C	1100	30.0	25.3	15.00	12.50
TCHD30S41S3	TP9C100C20MP12C	21.0	CF/CM/CU48D	1100	30.0	25.3	15.00	12.50
TCHD30S41S3	TP9C100C20MP12C	21.0	CF/CM30C	1100	30.0	25.1	15.00	12.50
TCHD30S41S3	TP9C100C20MP12C	21.0	CF/CM36D	1100	30.0	25.1	15.00	12.50
TCHD30S41S3	TP9C100C20MP12C	21.0	CF/CM42D	1100	30.0	25.5	15.00	12.50
TCHD30S41S3	TP9C100C20MP13C	21.0	CF/CM/CU36C	1100	30.0	25.1	15.00	12.50
TCHD30S41S3	TP9C100C20MP13C	21.0	CF/CM/CU42C	1100	30.0	25.5	15.00	12.50
TCHD30S41S3	TP9C100C20MP13C	21.0	CF/CM/CU48C	1100	30.0	25.3	15.00	12.50
TCHD30S41S3	TP9C100C20MP13C	21.0	CF/CM/CU48D	1100	30.0	25.3	15.00	12.50
TCHD30S41S3	TP9C100C20MP13C	21.0	CF/CM30C	1100	30.0	25.1	15.00	12.50
TCHD30S41S3	TP9C100C20MP13C	21.0	CF/CM36D	1100	30.0	25.1	15.00	12.50
TCHD30S41S3	TP9C100C20MP13C	21.0	CF/CM42D	1100	30.0	25.5	15.00	12.50
TCHD30S41S3	TP9C120D20MP12C	24.5	CF/CM/CU48D	1050	30.0	25.1	15.00	12.50
TCHD30S41S3	TP9C120D20MP12C	24.5	CF/CM36D	1050	30.0	25.1	15.00	12.50
TCHD30S41S3	TP9C120D20MP12C	24.5	CF/CM42D	1050	30.0	24.8	15.00	12.50
TCHD30S41S3	TP9C120D20MP13C	24.5	CF/CM/CU48D	1050	30.0	25.1	15.00	12.50
TCHD30S41S3	TP9C120D20MP13C	24.5	CF/CM36D	1050	30.0	25.1	15.00	12.50
TCHD30S41S3	TP9C120D20MP13C	24.5	CF/CM42D	1050	30.0	24.8	15.00	12.50
TCHD30S41S3	TPLC060A12MP12C	14.5	CF/CM/CU30B	875	29.8	22.3	15.00	12.50

**COOLING CAPACITY - With High Efficiency Motor Furnaces<sup>1</sup> (Continued)**

UNIT MODEL	FURNACE		COIL MODEL <sup>2</sup>	COOLING				
	MODEL	WIDTH		RATED CFM	Net MBH		SEER	EER
					TOTAL	SENS.		
TCHD30S41S3	TPLC060A12MP12C	14.5	CF/CM/CU36B	800	29.6	21.6	15.00	12.50
TCHD30S41S3	TPLC060A12MP12C	14.5	CF42B	800	29.6	21.4	15.00	12.50
TCHD30S41S3	TPLC060A12MP13C	14.5	CF/CM/CU30B	875	29.8	22.3	15.00	12.50
TCHD30S41S3	TPLC060A12MP13C	14.5	CF/CM/CU36B	800	29.6	21.6	15.00	12.50
TCHD30S41S3	TPLC060A12MP13C	14.5	CF/CM36A	900	29.6	22.2	14.25	12.50
TCHD30S41S3	TPLC060A12MP13C	14.5	CF42B	800	29.6	21.4	15.00	12.50
TCHD30S41S3	TPLC080B12MP12C	17.5	CF/CM/CU30B	825	29.4	21.5	15.00	12.50
TCHD30S41S3	TPLC080B12MP12C	17.5	CF/CM/CU36B	825	29.6	21.8	15.00	12.50
TCHD30S41S3	TPLC080B12MP12C	17.5	CF/CM/CU36C	825	29.6	21.8	15.00	12.50
TCHD30S41S3	TPLC080B12MP12C	17.5	CF/CM/CU42C	825	29.8	21.7	15.00	12.50
TCHD30S41S3	TPLC080B12MP12C	17.5	CF/CM/CU48C	825	30.0	21.9	15.00	12.50
TCHD30S41S3	TPLC080B12MP12C	17.5	CF/CM30C	825	29.4	21.5	15.00	12.50
TCHD30S41S3	TPLC080B12MP12C	17.5	CF42B	825	29.8	21.7	15.00	12.50
TCHD30S41S3	TPLC080B12MP13C	17.5	CF/CM/CU30B	825	29.4	21.5	15.00	12.50
TCHD30S41S3	TPLC080B12MP13C	17.5	CF/CM/CU36B	825	29.6	21.8	15.00	12.50
TCHD30S41S3	TPLC080B12MP13C	17.5	CF/CM/CU36C	825	29.6	21.8	15.00	12.50
TCHD30S41S3	TPLC080B12MP13C	17.5	CF/CM/CU42C	825	29.8	21.7	15.00	12.50
TCHD30S41S3	TPLC080B12MP13C	17.5	CF/CM/CU48C	825	30.0	21.9	15.00	12.50
TCHD30S41S3	TPLC080B12MP13C	17.5	CF/CM30C	825	29.4	21.5	15.00	12.50
TCHD30S41S3	TPLC080B12MP13C	17.5	CF42B	825	29.8	21.7	15.00	12.50
TCHD30S41S3	TPLC080C16MP12C	21.0	CF/CM/CU36C	875	30.0	22.5	15.00	12.50
TCHD30S41S3	TPLC080C16MP12C	21.0	CF/CM/CU42C	950	30.0	23.6	15.00	12.50
TCHD30S41S3	TPLC080C16MP12C	21.0	CF/CM/CU48C	875	30.0	22.7	15.00	12.50
TCHD30S41S3	TPLC080C16MP12C	21.0	CF/CM/CU48D	875	30.0	22.9	15.00	12.50
TCHD30S41S3	TPLC080C16MP12C	21.0	CF/CM30C	875	29.8	22.3	15.00	12.50
TCHD30S41S3	TPLC080C16MP12C	21.0	CF/CM36D	875	30.0	22.5	15.00	12.50
TCHD30S41S3	TPLC080C16MP12C	21.0	CF/CM42D	950	30.0	23.6	15.00	12.50
TCHD30S41S3	TPLC080C16MP13C	21.0	CF/CM/CU36C	875	30.0	22.5	15.00	12.50
TCHD30S41S3	TPLC080C16MP13C	21.0	CF/CM/CU42C	950	30.0	23.6	15.00	12.50
TCHD30S41S3	TPLC080C16MP13C	21.0	CF/CM/CU48C	875	30.0	22.7	15.00	12.50
TCHD30S41S3	TPLC080C16MP13C	21.0	CF/CM/CU48D	875	30.0	22.9	15.00	12.50
TCHD30S41S3	TPLC080C16MP13C	21.0	CF/CM30C	875	29.8	22.3	15.00	12.50
TCHD30S41S3	TPLC080C16MP13C	21.0	CF/CM36D	875	30.0	22.5	15.00	12.50
TCHD30S41S3	TPLC080C16MP13C	21.0	CF/CM42D	950	30.0	23.6	15.00	12.50
TCHD30S41S3	TPLC100C16MP12C	21.0	CF/CM/CU36C	875	30.0	22.5	15.00	12.50
TCHD30S41S3	TPLC100C16MP12C	21.0	CF/CM/CU42C	950	30.0	23.6	15.00	12.50
TCHD30S41S3	TPLC100C16MP12C	21.0	CF/CM/CU48C	875	30.0	22.7	15.00	12.50
TCHD30S41S3	TPLC100C16MP12C	21.0	CF/CM/CU48D	875	30.0	22.9	15.00	12.50
TCHD30S41S3	TPLC100C16MP12C	21.0	CF/CM30C	875	29.8	22.3	15.00	12.50
TCHD30S41S3	TPLC100C16MP12C	21.0	CF/CM36D	875	30.0	22.5	15.00	12.50
TCHD30S41S3	TPLC100C16MP12C	21.0	CF/CM42D	950	30.0	23.6	15.00	12.50
TCHD30S41S3	TPLC100C16MP13C	21.0	CF/CM/CU36C	875	30.0	22.5	15.00	12.50
TCHD30S41S3	TPLC100C16MP13C	21.0	CF/CM/CU42C	950	30.0	23.6	15.00	12.50
TCHD30S41S3	TPLC100C16MP13C	21.0	CF/CM/CU48C	875	30.0	22.7	15.00	12.50
TCHD30S41S3	TPLC100C16MP13C	21.0	CF/CM/CU48D	875	30.0	22.9	15.00	12.50
TCHD30S41S3	TPLC100C16MP13C	21.0	CF/CM30C	875	29.8	22.3	15.00	12.50
TCHD30S41S3	TPLC100C16MP13C	21.0	CF/CM36D	875	30.0	22.5	15.00	12.50
TCHD30S41S3	TPLC100C16MP13C	21.0	CF/CM42D	950	30.0	23.6	15.00	12.50
TCHD30S41S3	TPLC100C20MP12C	21.0	CF/CM/CU36C	1150	30.0	25.8	15.00	12.50
TCHD30S41S3	TPLC100C20MP12C	21.0	CF/CM/CU42C	1150	30.0	26.0	15.00	12.50
TCHD30S41S3	TPLC100C20MP12C	21.0	CF/CM/CU48C	1150	30.0	26.2	15.00	12.50
TCHD30S41S3	TPLC100C20MP12C	21.0	CF/CM/CU48D	1150	30.0	26.2	15.00	12.50
TCHD30S41S3	TPLC100C20MP12C	21.0	CF/CM30C	1150	30.0	23.8	15.00	12.50

**COOLING CAPACITY - With High Efficiency Motor Furnaces<sup>1</sup> (Continued)**

UNIT MODEL	FURNACE		COIL MODEL <sup>2</sup>	RATED CFM	COOLING			
	MODEL	WIDTH			Net MBH		SEER	EER
					TOTAL	SENS.		
TCHD30S41S3	TPLC100C20MP12C	21.0	CF/CM36D	1150	30.0	26.0	15.00	12.50
TCHD30S41S3	TPLC100C20MP12C	21.0	CF/CM42D	1150	30.0	26.0	15.00	12.50
TCHD30S41S3	TPLC100C20MP13C	21.0	CF/CM/CU36C	1150	30.0	25.8	15.00	12.50
TCHD30S41S3	TPLC100C20MP13C	21.0	CF/CM/CU42C	1150	30.0	26.0	15.00	12.50
TCHD30S41S3	TPLC100C20MP13C	21.0	CF/CM/CU48C	1150	30.0	26.2	15.00	12.50
TCHD30S41S3	TPLC100C20MP13C	21.0	CF/CM/CU48D	1150	30.0	26.2	15.00	12.50
TCHD30S41S3	TPLC100C20MP13C	21.0	CF/CM30C	1150	30.0	23.8	15.00	12.50
TCHD30S41S3	TPLC100C20MP13C	21.0	CF/CM36D	1150	30.0	26.0	15.00	12.50
TCHD30S41S3	TPLC100C20MP13C	21.0	CF/CM42D	1150	30.0	26.0	15.00	12.50
TCHD30S41S3	TPLC120C20MP12C	21.0	CF/CM/CU36C	1150	30.0	25.8	15.00	12.50
TCHD30S41S3	TPLC120C20MP12C	21.0	CF/CM/CU42C	1150	30.0	26.0	15.00	12.50
TCHD30S41S3	TPLC120C20MP12C	21.0	CF/CM/CU48C	1150	30.0	26.2	15.00	12.50
TCHD30S41S3	TPLC120C20MP12C	21.0	CF/CM/CU48D	1150	30.0	26.2	15.00	12.50
TCHD30S41S3	TPLC120C20MP12C	21.0	CF/CM30C	1150	30.0	23.8	15.00	12.50
TCHD30S41S3	TPLC120C20MP12C	21.0	CF/CM36D	1150	30.0	26.0	15.00	12.50
TCHD30S41S3	TPLC120C20MP12C	21.0	CF/CM42D	1150	30.0	26.0	15.00	12.50
TCHD30S41S3	TPLC120C20MP13C	21.0	CF/CM/CU36C	1150	30.0	25.8	15.00	12.50
TCHD30S41S3	TPLC120C20MP13C	21.0	CF/CM/CU42C	1150	30.0	26.0	15.00	12.50
TCHD30S41S3	TPLC120C20MP13C	21.0	CF/CM/CU48C	1150	30.0	26.2	15.00	12.50
TCHD30S41S3	TPLC120C20MP13C	21.0	CF/CM/CU48D	1150	30.0	26.2	15.00	12.50
TCHD30S41S3	TPLC120C20MP13C	21.0	CF/CM30C	1150	30.0	23.8	15.00	12.50
TCHD30S41S3	TPLC120C20MP13C	21.0	CF/CM36D	1150	30.0	26.0	15.00	12.50
TCHD30S41S3	TPLC120C20MP13C	21.0	CF/CM42D	1150	30.0	26.0	15.00	12.50
TCHD30S41S3	YP9C060B12MP13C	17.5	CF/CM/CU30B	875	29.6	22.2	15.00	12.50
TCHD30S41S3	YP9C060B12MP13C	17.5	CF/CM/CU36B	875	29.8	22.4	15.00	12.50
TCHD30S41S3	YP9C060B12MP13C	17.5	CF/CM/CU36C	875	30.0	22.5	15.00	12.50
TCHD30S41S3	YP9C060B12MP13C	17.5	CF/CM/CU42C	875	29.8	22.6	15.00	12.50
TCHD30S41S3	YP9C060B12MP13C	17.5	CF/CM/CU48C	875	30.0	22.7	15.00	12.50
TCHD30S41S3	YP9C060B12MP13C	17.5	CF/CM30C	875	29.6	22.1	15.00	12.50
TCHD30S41S3	YP9C060B12MP13C	17.5	CF42B	875	29.8	22.6	15.00	12.50
TCHD30S41S3	YP9C080B12MP12C	17.5	CF/CM/CU30B	875	29.8	22.3	15.00	12.50
TCHD30S41S3	YP9C080B12MP12C	17.5	CF/CM/CU36B	800	29.6	21.6	15.00	12.50
TCHD30S41S3	YP9C080B12MP12C	17.5	CF/CM/CU36C	800	29.6	21.5	15.00	12.50
TCHD30S41S3	YP9C080B12MP12C	17.5	CF/CM/CU42C	800	29.6	21.4	15.00	12.50
TCHD30S41S3	YP9C080B12MP12C	17.5	CF/CM/CU48C	800	29.8	21.4	15.00	12.50
TCHD30S41S3	YP9C080B12MP12C	17.5	CF/CM30C	875	29.8	22.3	15.00	12.50
TCHD30S41S3	YP9C080B12MP12C	17.5	CF42B	800	29.6	21.4	15.00	12.50
TCHD30S41S3	YP9C080B12MP13C	17.5	CF/CM/CU30B	875	29.8	22.3	15.00	12.50
TCHD30S41S3	YP9C080B12MP13C	17.5	CF/CM/CU36B	800	29.6	21.6	15.00	12.50
TCHD30S41S3	YP9C080B12MP13C	17.5	CF/CM/CU36C	800	29.6	21.5	15.00	12.50
TCHD30S41S3	YP9C080B12MP13C	17.5	CF/CM/CU42C	800	29.6	21.4	15.00	12.50
TCHD30S41S3	YP9C080B12MP13C	17.5	CF/CM/CU48C	800	29.8	21.4	15.00	12.50
TCHD30S41S3	YP9C080B12MP13C	17.5	CF/CM30C	875	29.8	22.3	15.00	12.50
TCHD30S41S3	YP9C080B12MP13C	17.5	CF42B	800	29.6	21.4	15.00	12.50
TCHD30S41S3	YP9C080C16MP13C	21.0	CF/CM/CU36C	950	30.0	23.5	15.00	12.50
TCHD30S41S3	YP9C080C16MP13C	21.0	CF/CM/CU42C	950	30.0	23.6	15.00	12.50
TCHD30S41S3	YP9C080C16MP13C	21.0	CF/CM/CU48C	950	30.0	23.7	15.00	12.50
TCHD30S41S3	YP9C080C16MP13C	21.0	CF/CM/CU48D	950	30.0	23.6	15.00	12.50
TCHD30S41S3	YP9C080C16MP13C	21.0	CF/CM30C	950	30.0	23.5	15.00	12.50
TCHD30S41S3	YP9C080C16MP13C	21.0	CF/CM36D	950	30.0	23.5	15.00	12.50
TCHD30S41S3	YP9C080C16MP13C	21.0	CF/CM42D	950	30.0	23.6	15.00	12.50
TCHD30S41S3	YP9C100C16MP12C	21.0	CF/CM/CU36C	900	30.0	22.8	15.00	12.50
TCHD30S41S3	YP9C100C16MP12C	21.0	CF/CM/CU42C	900	30.0	22.9	15.00	12.50

**COOLING CAPACITY - With High Efficiency Motor Furnaces<sup>1</sup> (Continued)**

UNIT MODEL	FURNACE		COIL MODEL <sup>2</sup>	COOLING				
	MODEL	WIDTH		RATED CFM	Net MBH		SEER	EER
					TOTAL	SENS.		
TCHD30S41S3	YP9C100C16MP12C	21.0	CF/CM/CU48C	900	30.0	23.0	15.00	12.50
TCHD30S41S3	YP9C100C16MP12C	21.0	CF/CM/CU48D	900	30.0	23.0	15.00	12.50
TCHD30S41S3	YP9C100C16MP12C	21.0	CF/CM30C	1000	30.0	24.0	15.00	12.50
TCHD30S41S3	YP9C100C16MP12C	21.0	CF/CM36D	900	30.0	22.8	15.00	12.50
TCHD30S41S3	YP9C100C16MP12C	21.0	CF/CM42D	900	30.0	22.9	15.00	12.50
TCHD30S41S3	YP9C100C16MP13C	21.0	CF/CM/CU36C	900	30.0	22.8	15.00	12.50
TCHD30S41S3	YP9C100C16MP13C	21.0	CF/CM/CU42C	900	30.0	22.9	15.00	12.50
TCHD30S41S3	YP9C100C16MP13C	21.0	CF/CM/CU48C	900	30.0	23.0	15.00	12.50
TCHD30S41S3	YP9C100C16MP13C	21.0	CF/CM/CU48D	900	30.0	23.0	15.00	12.50
TCHD30S41S3	YP9C100C16MP13C	21.0	CF/CM30C	1000	30.0	24.0	15.00	12.50
TCHD30S41S3	YP9C100C16MP13C	21.0	CF/CM36D	900	30.0	22.8	15.00	12.50
TCHD30S41S3	YP9C100C16MP13C	21.0	CF/CM42D	900	30.0	22.9	15.00	12.50
TCHD30S41S3	YP9C100C20MP12C	21.0	CF/CM/CU36C	1100	30.0	25.1	15.00	12.50
TCHD30S41S3	YP9C100C20MP12C	21.0	CF/CM/CU42C	1100	30.0	25.5	15.00	12.50
TCHD30S41S3	YP9C100C20MP12C	21.0	CF/CM/CU48C	1100	30.0	25.3	15.00	12.50
TCHD30S41S3	YP9C100C20MP12C	21.0	CF/CM/CU48D	1100	30.0	25.3	15.00	12.50
TCHD30S41S3	YP9C100C20MP12C	21.0	CF/CM30C	1100	30.0	25.1	15.00	12.50
TCHD30S41S3	YP9C100C20MP12C	21.0	CF/CM36D	1100	30.0	25.1	15.00	12.50
TCHD30S41S3	YP9C100C20MP12C	21.0	CF/CM42D	1100	30.0	25.5	15.00	12.50
TCHD30S41S3	YP9C100C20MP13C	21.0	CF/CM/CU36C	1100	30.0	25.1	15.00	12.50
TCHD30S41S3	YP9C100C20MP13C	21.0	CF/CM/CU42C	1100	30.0	25.5	15.00	12.50
TCHD30S41S3	YP9C100C20MP13C	21.0	CF/CM/CU48C	1100	30.0	25.3	15.00	12.50
TCHD30S41S3	YP9C100C20MP13C	21.0	CF/CM/CU48D	1100	30.0	25.3	15.00	12.50
TCHD30S41S3	YP9C100C20MP13C	21.0	CF/CM30C	1100	30.0	25.1	15.00	12.50
TCHD30S41S3	YP9C100C20MP13C	21.0	CF/CM36D	1100	30.0	25.1	15.00	12.50
TCHD30S41S3	YP9C100C20MP13C	21.0	CF/CM42D	1100	30.0	25.5	15.00	12.50
TCHD30S41S3	YP9C120D20MP12C	24.5	CF/CM/CU48D	1050	30.0	25.1	15.00	12.50
TCHD30S41S3	YP9C120D20MP12C	24.5	CF/CM36D	1050	30.0	25.1	15.00	12.50
TCHD30S41S3	YP9C120D20MP12C	24.5	CF/CM42D	1050	30.0	24.8	15.00	12.50
TCHD30S41S3	YP9C120D20MP13C	24.5	CF/CM/CU48D	1050	30.0	25.1	15.00	12.50
TCHD30S41S3	YP9C120D20MP13C	24.5	CF/CM36D	1050	30.0	25.1	15.00	12.50
TCHD30S41S3	YP9C120D20MP13C	24.5	CF/CM42D	1050	30.0	24.8	15.00	12.50
TCHD30S41S3	YPLC060A12MP12C	14.5	CF/CM/CU30B	875	29.8	22.3	15.00	12.50
TCHD30S41S3	YPLC060A12MP12C	14.5	CF/CM/CU36B	800	29.6	21.6	15.00	12.50
TCHD30S41S3	YPLC060A12MP12C	14.5	CF42B	800	29.6	21.4	15.00	12.50
TCHD30S41S3	YPLC060A12MP13C	14.5	CF/CM/CU30B	875	29.8	22.3	15.00	12.50
TCHD30S41S3	YPLC060A12MP13C	14.5	CF/CM/CU36B	800	29.6	21.6	15.00	12.50
TCHD30S41S3	YPLC060A12MP13C	14.5	CF/CM36A	900	29.6	22.2	14.25	12.50
TCHD30S41S3	YPLC060A12MP13C	14.5	CF42B	800	29.6	21.4	15.00	12.50
TCHD30S41S3	YPLC080B12MP12C	17.5	CF/CM/CU30B	825	29.4	21.5	15.00	12.50
TCHD30S41S3	YPLC080B12MP12C	17.5	CF/CM/CU36B	825	29.6	21.8	15.00	12.50
TCHD30S41S3	YPLC080B12MP12C	17.5	CF/CM/CU36C	825	29.6	21.8	15.00	12.50
TCHD30S41S3	YPLC080B12MP12C	17.5	CF/CM/CU42C	825	29.8	21.7	15.00	12.50
TCHD30S41S3	YPLC080B12MP12C	17.5	CF/CM/CU48C	825	30.0	21.9	15.00	12.50
TCHD30S41S3	YPLC080B12MP12C	17.5	CF/CM30C	825	29.4	21.5	15.00	12.50
TCHD30S41S3	YPLC080B12MP12C	17.5	CF42B	825	29.8	21.7	15.00	12.50
TCHD30S41S3	YPLC080B12MP13C	17.5	CF/CM/CU30B	825	29.4	21.5	15.00	12.50
TCHD30S41S3	YPLC080B12MP13C	17.5	CF/CM/CU36B	825	29.6	21.8	15.00	12.50
TCHD30S41S3	YPLC080B12MP13C	17.5	CF/CM/CU36C	825	29.6	21.8	15.00	12.50
TCHD30S41S3	YPLC080B12MP13C	17.5	CF/CM/CU42C	825	29.8	21.7	15.00	12.50
TCHD30S41S3	YPLC080B12MP13C	17.5	CF/CM/CU48C	825	30.0	21.9	15.00	12.50
TCHD30S41S3	YPLC080B12MP13C	17.5	CF/CM30C	825	29.4	21.5	15.00	12.50
TCHD30S41S3	YPLC080B12MP13C	17.5	CF42B	825	29.8	21.7	15.00	12.50

**COOLING CAPACITY - With High Efficiency Motor Furnaces<sup>1</sup> (Continued)**

UNIT MODEL	FURNACE		COIL MODEL <sup>2</sup>	COOLING				
	MODEL	WIDTH		RATED CFM	Net MBH		SEER	EER
					TOTAL	SENS.		
TCHD30S41S3	YPLC080C16MP12C	21.0	CF/CM/CU36C	875	30.0	22.5	15.00	12.50
TCHD30S41S3	YPLC080C16MP12C	21.0	CF/CM/CU42C	950	30.0	23.6	15.00	12.50
TCHD30S41S3	YPLC080C16MP12C	21.0	CF/CM/CU48C	875	30.0	22.7	15.00	12.50
TCHD30S41S3	YPLC080C16MP12C	21.0	CF/CM/CU48D	875	30.0	22.9	15.00	12.50
TCHD30S41S3	YPLC080C16MP12C	21.0	CF/CM30C	875	29.8	22.3	15.00	12.50
TCHD30S41S3	YPLC080C16MP12C	21.0	CF/CM36D	875	30.0	22.5	15.00	12.50
TCHD30S41S3	YPLC080C16MP12C	21.0	CF/CM42D	950	30.0	23.6	15.00	12.50
TCHD30S41S3	YPLC080C16MP13C	21.0	CF/CM/CU36C	875	30.0	22.5	15.00	12.50
TCHD30S41S3	YPLC080C16MP13C	21.0	CF/CM/CU42C	950	30.0	23.6	15.00	12.50
TCHD30S41S3	YPLC080C16MP13C	21.0	CF/CM/CU48C	875	30.0	22.7	15.00	12.50
TCHD30S41S3	YPLC080C16MP13C	21.0	CF/CM/CU48D	875	30.0	22.9	15.00	12.50
TCHD30S41S3	YPLC080C16MP13C	21.0	CF/CM30C	875	29.8	22.3	15.00	12.50
TCHD30S41S3	YPLC080C16MP13C	21.0	CF/CM36D	875	30.0	22.5	15.00	12.50
TCHD30S41S3	YPLC080C16MP13C	21.0	CF/CM42D	950	30.0	23.6	15.00	12.50
TCHD30S41S3	YPLC100C16MP12C	21.0	CF/CM/CU36C	875	30.0	22.5	15.00	12.50
TCHD30S41S3	YPLC100C16MP12C	21.0	CF/CM/CU42C	950	30.0	23.6	15.00	12.50
TCHD30S41S3	YPLC100C16MP12C	21.0	CF/CM/CU48C	875	30.0	22.7	15.00	12.50
TCHD30S41S3	YPLC100C16MP12C	21.0	CF/CM/CU48D	875	30.0	22.9	15.00	12.50
TCHD30S41S3	YPLC100C16MP12C	21.0	CF/CM30C	875	29.8	22.3	15.00	12.50
TCHD30S41S3	YPLC100C16MP12C	21.0	CF/CM36D	875	30.0	22.5	15.00	12.50
TCHD30S41S3	YPLC100C16MP12C	21.0	CF/CM42D	950	30.0	23.6	15.00	12.50
TCHD30S41S3	YPLC100C16MP13C	21.0	CF/CM/CU36C	875	30.0	22.5	15.00	12.50
TCHD30S41S3	YPLC100C16MP13C	21.0	CF/CM/CU42C	950	30.0	23.6	15.00	12.50
TCHD30S41S3	YPLC100C16MP13C	21.0	CF/CM/CU48C	875	30.0	22.7	15.00	12.50
TCHD30S41S3	YPLC100C16MP13C	21.0	CF/CM/CU48D	875	30.0	22.9	15.00	12.50
TCHD30S41S3	YPLC100C16MP13C	21.0	CF/CM30C	875	29.8	22.3	15.00	12.50
TCHD30S41S3	YPLC100C16MP13C	21.0	CF/CM36D	875	30.0	22.5	15.00	12.50
TCHD30S41S3	YPLC100C16MP13C	21.0	CF/CM42D	950	30.0	23.6	15.00	12.50
TCHD30S41S3	YPLC100C20MP12C	21.0	CF/CM/CU36C	1150	30.0	25.8	15.00	12.50
TCHD30S41S3	YPLC100C20MP12C	21.0	CF/CM/CU42C	1150	30.0	26.0	15.00	12.50
TCHD30S41S3	YPLC100C20MP12C	21.0	CF/CM/CU48C	1150	30.0	26.2	15.00	12.50
TCHD30S41S3	YPLC100C20MP12C	21.0	CF/CM/CU48D	1150	30.0	26.2	15.00	12.50
TCHD30S41S3	YPLC100C20MP12C	21.0	CF/CM30C	1150	30.0	23.8	15.00	12.50
TCHD30S41S3	YPLC100C20MP12C	21.0	CF/CM36D	1150	30.0	26.0	15.00	12.50
TCHD30S41S3	YPLC100C20MP12C	21.0	CF/CM42D	1150	30.0	26.0	15.00	12.50
TCHD30S41S3	YPLC100C20MP13C	21.0	CF/CM/CU36C	1150	30.0	25.8	15.00	12.50
TCHD30S41S3	YPLC100C20MP13C	21.0	CF/CM/CU42C	1150	30.0	26.0	15.00	12.50
TCHD30S41S3	YPLC100C20MP13C	21.0	CF/CM/CU48C	1150	30.0	26.2	15.00	12.50
TCHD30S41S3	YPLC100C20MP13C	21.0	CF/CM/CU48D	1150	30.0	26.2	15.00	12.50
TCHD30S41S3	YPLC100C20MP13C	21.0	CF/CM30C	1150	30.0	23.8	15.00	12.50
TCHD30S41S3	YPLC100C20MP13C	21.0	CF/CM36D	1150	30.0	26.0	15.00	12.50
TCHD30S41S3	YPLC100C20MP13C	21.0	CF/CM42D	1150	30.0	26.0	15.00	12.50
TCHD30S41S3	YPLC120C20MP12C	21.0	CF/CM/CU36C	1150	30.0	25.8	15.00	12.50
TCHD30S41S3	YPLC120C20MP12C	21.0	CF/CM/CU42C	1150	30.0	26.0	15.00	12.50
TCHD30S41S3	YPLC120C20MP12C	21.0	CF/CM/CU48C	1150	30.0	26.2	15.00	12.50
TCHD30S41S3	YPLC120C20MP12C	21.0	CF/CM/CU48D	1150	30.0	26.2	15.00	12.50
TCHD30S41S3	YPLC120C20MP12C	21.0	CF/CM30C	1150	30.0	23.8	15.00	12.50
TCHD30S41S3	YPLC120C20MP12C	21.0	CF/CM36D	1150	30.0	26.0	15.00	12.50
TCHD30S41S3	YPLC120C20MP12C	21.0	CF/CM42D	1150	30.0	26.0	15.00	12.50
TCHD30S41S3	YPLC120C20MP13C	21.0	CF/CM/CU36C	1150	30.0	25.8	15.00	12.50
TCHD30S41S3	YPLC120C20MP13C	21.0	CF/CM/CU42C	1150	30.0	26.0	15.00	12.50
TCHD30S41S3	YPLC120C20MP13C	21.0	CF/CM/CU48C	1150	30.0	26.2	15.00	12.50
TCHD30S41S3	YPLC120C20MP13C	21.0	CF/CM/CU48D	1150	30.0	26.2	15.00	12.50

**COOLING CAPACITY - With High Efficiency Motor Furnaces<sup>1</sup> (Continued)**

UNIT MODEL	FURNACE		COIL MODEL <sup>2</sup>	COOLING				
	MODEL	WIDTH		RATED CFM	Net MBH		SEER	EER
					TOTAL	SENS.		
TCHD30S41S3	YPLC120C20MP13C	21.0	CF/CM30C	1150	30.0	23.8	15.00	12.50
TCHD30S41S3	YPLC120C20MP13C	21.0	CF/CM36D	1150	30.0	26.0	15.00	12.50
TCHD30S41S3	YPLC120C20MP13C	21.0	CF/CM42D	1150	30.0	26.0	15.00	12.50
TCHD30S41S3	T*(8,L)C*A12	14.5	FC/MC/PC32A	1045	28.0	21.0	13.65	12.10
TCHD30S41S3	T*(8,L)C*A12	14.5	FC/MC/PC37A	980	28.8	21.6	14.50	12.80
TCHD30S41S3	T*(8,L)C*A12	14.5	HD36	1000	28.0	20.2	14.30	12.65
TCHD30S41S3	T*(8,L)C*B12	17.5	FC/MC/PC35B	995	28.4	21.2	14.50	12.75
TCHD30S41S3	T*(8,L)C*B12	17.5	FC/MC/PC43B	990	28.8	21.8	15.00	13.20
TCHD30S41S3	T*(8,L)C*B12	17.5	HD36	985	28.0	20.4	14.65	13.00
TCHD30S41S3	T*(8,L)C*C16	21.0	FC/MC/PC35C	1025	28.4	21.4	15.00	13.15
TCHD30S41S3	T*(8,L)C*C16	21.0	FC/MC/PC43C	990	29.0	21.8	15.35	13.60
TCHD30S41S3	T*(8,L)C*C16	21.0	HD36	1020	28.2	20.4	14.80	13.05
TCHD30S41S3	T*(8,L)C*C20	21.0	FC/MC/PC35C	1080	28.8	22.2	15.00	13.00
TCHD30S41S3	T*(8,L)C*C20	21.0	FC/MC/PC43C	1000	29.0	21.8	15.40	13.65
TCHD30S41S3	T*(8,L)C*C20	21.0	HD36	1055	28.4	21.0	15.00	13.25
TCHD30S41S3	T*(8,L)V*A12	14.5	FC/MC/PC32A	1045	28.0	21.0	13.65	12.10
TCHD30S41S3	T*(8,L)V*A12	14.5	FC/MC/PC37A	980	28.8	21.6	14.50	12.80
TCHD30S41S3	T*(8,L)V*A12	14.5	HD36	1000	28.0	20.2	14.30	12.65
TCHD30S41S3	T*(8,L)V*B12	17.5	FC/MC/PC35B	995	28.4	21.2	14.50	12.75
TCHD30S41S3	T*(8,L)V*B12	17.5	FC/MC/PC43B	990	28.8	21.8	15.00	13.20
TCHD30S41S3	T*(8,L)V*B12	17.5	HD36	985	28.0	20.4	14.65	13.00
TCHD30S41S3	T*(8,L)V*C16	21.0	FC/MC/PC35C	1025	28.4	21.4	15.00	13.15
TCHD30S41S3	T*(8,L)V*C16	21.0	FC/MC/PC43C	990	29.0	21.8	15.35	13.60
TCHD30S41S3	T*(8,L)V*C16	21.0	HD36	1020	28.2	20.4	14.80	13.05
TCHD30S41S3	T*(8,L)V*C20	21.0	FC/MC/PC35C	1080	28.8	22.2	15.00	13.00
TCHD30S41S3	T*(8,L)V*C20	21.0	FC/MC/PC43C	1000	29.0	21.8	15.40	13.65
TCHD30S41S3	T*(8,L)V*C20	21.0	HD36	1055	28.4	21.0	15.00	13.25
TCHD30S41S3	T*9(C,V)*B12	17.5	FC/MC/PC35B	1045	28.2	21.6	14.25	12.50
TCHD30S41S3	T*9(C,V)*B12	17.5	FC/MC/PC43B	1035	28.8	21.6	14.50	12.85
TCHD30S41S3	T*9(C,V)*B12	17.5	HD36	985	28.0	20.4	14.60	12.85
TCHD30S41S3	T*9(C,V)*C16	21.0	FC/MC/PC35C	1005	28.4	21.4	15.00	13.10
TCHD30S41S3	T*9(C,V)*C16	21.0	FC/MC/PC43C	1030	28.8	21.6	14.80	13.15
TCHD30S41S3	T*9(C,V)*C16	21.0	HD36	1005	28.2	20.4	14.85	13.05
TCHD30S41S3	T*9(C,V)*C20	21.0	FC/MC/PC35C	985	28.4	21.4	15.00	13.10
TCHD30S41S3	T*9(C,V)*C20	21.0	FC/MC/PC43C	995	29.0	21.8	15.20	13.45
TCHD30S41S3	T*9(C,V)*C20	21.0	HD36	1045	28.0	20.4	14.65	13.00
TCHD30S41S3	TM8X060A12MP11	14.5	FC/MC/PC32A	1025	28.0	21.0	13.55	11.95
TCHD30S41S3	TM8X060A12MP11	14.5	FC/MC/PC37A	1025	28.4	21.4	13.80	12.15
TCHD30S41S3	TM8X080B12MP11	17.5	FC/MC/PC35B	950	28.2	20.8	14.50	12.75
TCHD30S41S3	TM8X080B12MP11	17.5	FC/MC/PC43B	975	29.0	21.8	14.75	12.75
TCHD30S41S3	TM8X080C16MP11	21.0	FC/MC/PC35C	975	28.8	21.6	15.00	13.00
TCHD30S41S3	TM8X080C16MP11	21.0	FC/MC/PC43C	950	28.6	21.4	15.00	13.00
TCHD30S41S3	TM8X080C16MP11	21.0	FC/MC/PC48C	975	28.8	21.4	15.00	13.00
TCHD30S41S3	TM8X080C16MP11	21.0	FC/MC/PC48D	975	28.8	21.4	15.00	13.00
TCHD30S41S3	TM8X080C16MP11	21.0	UC48C	975	28.6	21.6	14.75	13.00
TCHD30S41S3	TM8X080C16MP11	21.0	UC48D	975	28.6	21.6	15.00	13.00
TCHD30S41S3	TM8X100C16MP11	21.0	FC/MC/PC35C	975	28.8	21.6	15.00	13.00
TCHD30S41S3	TM8X100C16MP11	21.0	FC/MC/PC43C	950	28.6	21.4	15.00	13.00
TCHD30S41S3	TM8X100C16MP11	21.0	FC/MC/PC48C	975	28.8	21.4	15.00	13.00
TCHD30S41S3	TM8X100C16MP11	21.0	FC/MC/PC48D	975	28.8	21.4	15.00	13.00
TCHD30S41S3	TM8X100C16MP11	21.0	UC48C	975	28.6	21.6	14.75	13.00
TCHD30S41S3	TM8X100C16MP11	21.0	UC48D	975	28.6	21.6	15.00	13.00
TCHD30S41S3	TM8X100C20MP11	21.0	FC/MC/PC35C	1000	28.6	21.6	14.75	13.00

**COOLING CAPACITY - With High Efficiency Motor Furnaces<sup>1</sup> (Continued)**

UNIT MODEL	FURNACE		COIL MODEL <sup>2</sup>	COOLING				
	MODEL	WIDTH		RATED CFM	Net MBH		SEER	EER
					TOTAL	SENS.		
TCHD30S41S3	TM8X100C20MP11	21.0	FC/MC/PC43C	1000	29.0	22.0	15.00	13.00
TCHD30S41S3	TM8X100C20MP11	21.0	FC/MC/PC48C	1000	29.2	21.8	15.35	13.40
TCHD30S41S3	TM8X100C20MP11	21.0	FC/MC/PC48D	1000	29.0	21.8	15.00	13.00
TCHD30S41S3	TM8X100C20MP11	21.0	UC48C	1000	28.4	21.4	14.75	12.75
TCHD30S41S3	TM8X100C20MP11	21.0	UC48D	1000	28.4	21.4	14.75	12.75
TCHD30S41S3	TM8X120C20MP11	21.0	FC/MC/PC35C	1000	28.6	21.6	14.75	13.00
TCHD30S41S3	TM8X120C20MP11	21.0	FC/MC/PC43C	1000	29.0	22.0	15.00	13.00
TCHD30S41S3	TM8X120C20MP11	21.0	FC/MC/PC48C	1000	29.2	21.8	15.35	13.40
TCHD30S41S3	TM8X120C20MP11	21.0	FC/MC/PC48D	1000	29.0	21.8	15.00	13.00
TCHD30S41S3	TM8X120C20MP11	21.0	UC48C	1000	28.4	21.4	14.75	12.75
TCHD30S41S3	TM8X120C20MP11	21.0	UC48D	1000	28.4	21.4	14.75	12.75
TCHD30S41S3	TM9E060B12MP11	17.5	FC/MC/PC35B	950	28.0	20.8	14.25	12.65
TCHD30S41S3	TM9E060B12MP11	17.5	FC/MC/PC43B	950	28.4	21.2	14.50	12.50
TCHD30S41S3	TM9E080B12MP11	17.5	FC/MC/PC35B	950	28.0	20.8	14.25	12.65
TCHD30S41S3	TM9E080B12MP11	17.5	FC/MC/PC43B	950	28.4	21.2	14.50	12.50
TCHD30S41S3	TM9E080C16MP11	21.0	FC/MC/PC35C	1000	28.6	21.6	14.75	13.00
TCHD30S41S3	TM9E080C16MP11	21.0	FC/MC/PC43C	1000	29.0	21.8	15.00	13.00
TCHD30S41S3	TM9E080C16MP11	21.0	FC/MC/PC48C	1000	29.0	21.8	15.25	13.25
TCHD30S41S3	TM9E080C16MP11	21.0	FC/MC/PC48D	1000	29.0	21.8	15.00	13.00
TCHD30S41S3	TM9E080C16MP11	21.0	UC48C	1000	28.4	21.4	14.50	12.75
TCHD30S41S3	TM9E080C16MP11	21.0	UC48D	1000	28.4	21.4	14.50	12.75
TCHD30S41S3	TM9E100C16MP11	21.0	FC/MC/PC35C	1000	28.6	21.6	14.75	13.00
TCHD30S41S3	TM9E100C16MP11	21.0	FC/MC/PC43C	1000	29.0	21.8	15.00	13.00
TCHD30S41S3	TM9E100C16MP11	21.0	FC/MC/PC48C	1000	29.0	21.8	15.25	13.25
TCHD30S41S3	TM9E100C16MP11	21.0	FC/MC/PC48D	1000	29.0	21.8	15.00	13.00
TCHD30S41S3	TM9E100C16MP11	21.0	UC48C	1000	28.4	21.4	14.50	12.75
TCHD30S41S3	TM9E100C16MP11	21.0	UC48D	1000	28.4	21.4	14.50	12.75
TCHD30S41S3	TM9E100C20MP11	21.0	FC/MC/PC35C	1000	28.4	21.2	13.75	12.00
TCHD30S41S3	TM9E100C20MP11	21.0	FC/MC/PC43C	1000	28.6	21.6	14.00	12.25
TCHD30S41S3	TM9E100C20MP11	21.0	FC/MC/PC48C	1000	28.6	21.4	13.75	12.25
TCHD30S41S3	TM9E100C20MP11	21.0	FC/MC/PC48D	1000	28.8	21.4	14.00	12.25
TCHD30S41S3	TM9E100C20MP11	21.0	UC48C	1000	28.0	21.2	13.75	12.00
TCHD30S41S3	TM9E100C20MP11	21.0	UC48D	1000	28.2	21.2	13.75	12.00
TCHD30S41S3	TM9E120D20MP11	24.5	FC/MC/PC48D	1000	28.8	21.6	14.00	12.25
TCHD30S41S3	TM9E120D20MP11	24.5	UC48D	1000	28.2	21.2	13.75	12.00
TCHD30S41S3	TM9X060B12MP11	17.5	FC/MC/PC35B	950	28.0	20.8	14.25	12.65
TCHD30S41S3	TM9X060B12MP11	17.5	FC/MC/PC43B	950	28.4	21.2	14.50	12.50
TCHD30S41S3	TM9X080B12MP11	17.5	FC/MC/PC35B	950	28.0	20.8	14.25	12.65
TCHD30S41S3	TM9X080B12MP11	17.5	FC/MC/PC43B	950	28.4	21.2	14.50	12.50
TCHD30S41S3	TM9X080C16MP11	21.0	FC/MC/PC35C	1000	28.6	21.6	14.75	13.00
TCHD30S41S3	TM9X080C16MP11	21.0	FC/MC/PC43C	1000	29.0	21.8	15.00	13.00
TCHD30S41S3	TM9X080C16MP11	21.0	FC/MC/PC48C	1000	29.0	21.8	15.25	13.25
TCHD30S41S3	TM9X080C16MP11	21.0	FC/MC/PC48D	1000	29.0	21.8	15.00	13.00
TCHD30S41S3	TM9X080C16MP11	21.0	UC48C	1000	28.4	21.4	14.50	12.75
TCHD30S41S3	TM9X080C16MP11	21.0	UC48D	1000	28.4	21.4	14.50	12.75
TCHD30S41S3	TM9X100C16MP11	21.0	FC/MC/PC35C	1000	28.6	21.6	14.75	13.00
TCHD30S41S3	TM9X100C16MP11	21.0	FC/MC/PC43C	1000	29.0	21.8	15.00	13.00
TCHD30S41S3	TM9X100C16MP11	21.0	FC/MC/PC48C	1000	29.0	21.8	15.25	13.25
TCHD30S41S3	TM9X100C16MP11	21.0	FC/MC/PC48D	1000	29.0	21.8	15.00	13.00
TCHD30S41S3	TM9X100C16MP11	21.0	UC48C	1000	28.4	21.4	14.50	12.75
TCHD30S41S3	TM9X100C16MP11	21.0	UC48D	1000	28.4	21.4	14.50	12.75
TCHD30S41S3	TM9X100C20MP11	21.0	FC/MC/PC35C	1000	28.4	21.2	13.75	12.00
TCHD30S41S3	TM9X100C20MP11	21.0	FC/MC/PC43C	1000	28.6	21.6	14.00	12.25

**COOLING CAPACITY - With High Efficiency Motor Furnaces<sup>1</sup> (Continued)**

UNIT MODEL	FURNACE		COIL MODEL <sup>2</sup>	COOLING				
	MODEL	WIDTH		RATED CFM	Net MBH		SEER	EER
					TOTAL	SENS.		
TCHD30S41S3	TM9X100C20MP11	21.0	FC/MC/PC48C	1000	28.6	21.4	13.75	12.25
TCHD30S41S3	TM9X100C20MP11	21.0	FC/MC/PC48D	1000	28.8	21.4	14.00	12.25
TCHD30S41S3	TM9X100C20MP11	21.0	UC48C	1000	28.0	21.2	13.75	12.00
TCHD30S41S3	TM9X100C20MP11	21.0	UC48D	1000	28.2	21.2	13.75	12.00
TCHD30S41S3	TM9X120D20MP11	24.5	FC/MC/PC48D	1000	28.8	21.6	14.00	12.25
TCHD30S41S3	TM9X120D20MP11	24.5	UC48D	1000	28.2	21.2	13.75	12.00
TCHD30S41S3	TMLX060A12MP11	14.5	FC/MC/PC32A	1025	28.0	21.0	13.55	11.95
TCHD30S41S3	TMLX060A12MP11	14.5	FC/MC/PC37A	1025	28.4	21.4	13.80	12.15
TCHD30S41S3	TMLX080B12MP11	17.5	FC/MC/PC35B	950	28.2	20.8	14.50	12.75
TCHD30S41S3	TMLX080B12MP11	17.5	FC/MC/PC43B	975	29.0	21.8	14.75	12.75
TCHD30S41S3	TMLX080C16MP11	21.0	FC/MC/PC35C	975	28.8	21.6	15.00	13.00
TCHD30S41S3	TMLX080C16MP11	21.0	FC/MC/PC43C	950	28.6	21.4	15.00	13.00
TCHD30S41S3	TMLX080C16MP11	21.0	FC/MC/PC48C	975	28.8	21.4	15.00	13.00
TCHD30S41S3	TMLX080C16MP11	21.0	FC/MC/PC48D	975	28.8	21.4	15.00	13.00
TCHD30S41S3	TMLX080C16MP11	21.0	UC48C	975	28.6	21.6	14.75	13.00
TCHD30S41S3	TMLX080C16MP11	21.0	UC48D	975	28.6	21.6	15.00	13.00
TCHD30S41S3	TMLX100C16MP11	21.0	FC/MC/PC35C	975	28.8	21.6	15.00	13.00
TCHD30S41S3	TMLX100C16MP11	21.0	FC/MC/PC43C	950	28.6	21.4	15.00	13.00
TCHD30S41S3	TMLX100C16MP11	21.0	FC/MC/PC48C	975	28.8	21.4	15.00	13.00
TCHD30S41S3	TMLX100C16MP11	21.0	FC/MC/PC48D	975	28.8	21.4	15.00	13.00
TCHD30S41S3	TMLX100C16MP11	21.0	UC48C	975	28.6	21.6	14.75	13.00
TCHD30S41S3	TMLX100C16MP11	21.0	UC48D	975	28.6	21.6	15.00	13.00
TCHD30S41S3	TMLX100C20MP11	21.0	FC/MC/PC35C	1000	28.6	21.6	14.75	13.00
TCHD30S41S3	TMLX100C20MP11	21.0	FC/MC/PC43C	1000	29.0	22.0	15.00	13.00
TCHD30S41S3	TMLX100C20MP11	21.0	FC/MC/PC48C	1000	29.2	21.8	15.35	13.40
TCHD30S41S3	TMLX100C20MP11	21.0	FC/MC/PC48D	1000	29.0	21.8	15.00	13.00
TCHD30S41S3	TMLX100C20MP11	21.0	UC48C	1000	28.4	21.4	14.75	12.75
TCHD30S41S3	TMLX100C20MP11	21.0	UC48D	1000	28.4	21.4	14.75	12.75
TCHD30S41S3	TMLX120C20MP11	21.0	FC/MC/PC35C	1000	28.6	21.6	14.75	13.00
TCHD30S41S3	TMLX120C20MP11	21.0	FC/MC/PC43C	1000	29.0	22.0	15.00	13.00
TCHD30S41S3	TMLX120C20MP11	21.0	FC/MC/PC48C	1000	29.2	21.8	15.35	13.40
TCHD30S41S3	TMLX120C20MP11	21.0	FC/MC/PC48D	1000	29.0	21.8	15.00	13.00
TCHD30S41S3	TMLX120C20MP11	21.0	UC48C	1000	28.4	21.4	14.75	12.75
TCHD30S41S3	TMLX120C20MP11	21.0	UC48D	1000	28.4	21.4	14.75	12.75
TCHD30S41S3	Y*(8,L)C*A12	14.5	FC/MC/PC32A	1045	28.0	21.0	13.65	12.10
TCHD30S41S3	Y*(8,L)C*A12	14.5	FC/MC/PC37A	980	28.8	21.6	14.50	12.80
TCHD30S41S3	Y*(8,L)C*A12	14.5	HD36	1000	28.0	20.2	14.30	12.65
TCHD30S41S3	Y*(8,L)C*B12	17.5	FC/MC/PC35B	995	28.4	21.2	14.50	12.75
TCHD30S41S3	Y*(8,L)C*B12	17.5	FC/MC/PC43B	990	28.8	21.8	15.00	13.20
TCHD30S41S3	Y*(8,L)C*B12	17.5	HD36	985	28.0	20.4	14.65	13.00
TCHD30S41S3	Y*(8,L)C*C16	21.0	FC/MC/PC35C	1025	28.4	21.4	15.00	13.15
TCHD30S41S3	Y*(8,L)C*C16	21.0	FC/MC/PC43C	990	29.0	21.8	15.35	13.60
TCHD30S41S3	Y*(8,L)C*C16	21.0	HD36	1020	28.2	20.4	14.80	13.05
TCHD30S41S3	Y*(8,L)C*C20	21.0	FC/MC/PC35C	1080	28.8	22.2	15.00	13.00
TCHD30S41S3	Y*(8,L)C*C20	21.0	FC/MC/PC43C	1000	29.0	21.8	15.40	13.65
TCHD30S41S3	Y*(8,L)C*C20	21.0	HD36	1055	28.4	21.0	15.00	13.25
TCHD30S41S3	Y*9C*B12	17.5	FC/MC/PC35B	1045	28.2	21.6	14.25	12.50
TCHD30S41S3	Y*9C*B12	17.5	FC/MC/PC43B	1035	28.8	21.6	14.50	12.85
TCHD30S41S3	Y*9C*B12	17.5	HD36	985	28.0	20.4	14.60	12.85
TCHD30S41S3	Y*9C*C16	21.0	FC/MC/PC35C	1005	28.4	21.4	15.00	13.10
TCHD30S41S3	Y*9C*C16	21.0	FC/MC/PC43C	1030	28.8	21.6	14.80	13.15
TCHD30S41S3	Y*9C*C16	21.0	HD36	1005	28.2	20.4	14.85	13.05
TCHD30S41S3	Y*9C*C20	21.0	FC/MC/PC35C	985	28.4	21.4	15.00	13.10



**COOLING CAPACITY - With High Efficiency Motor Furnaces<sup>1</sup> (Continued)**

UNIT MODEL	FURNACE		COIL MODEL <sup>2</sup>	COOLING				
	MODEL	WIDTH		RATED CFM	Net MBH		SEER	EER
					TOTAL	SENS.		
TCHD30S41S3	Y*9C*C20	21.0	FC/MC/PC43C	995	29.0	21.8	15.20	13.45
TCHD30S41S3	Y*9C*C20	21.0	HD36	1045	28.0	20.4	14.65	13.00
TCHD36S41S3	TM8E040A12MP11	14.5	CF42B	1175	35.4	27.8	13.75	11.50
TCHD36S41S3	TM8E060A12MP11	14.5	CF42B	1200	35.4	28.0	13.75	11.50
TCHD36S41S3	TM8E080B12MP11	17.5	CF/CM/CU42C	1250	35.6	28.7	13.75	11.75
TCHD36S41S3	TM8E080B12MP11	17.5	CF/CM/CU48C	1050	35.4	26.4	14.00	11.75
TCHD36S41S3	TM8E080B12MP11	17.5	CF/CM/CU60C	1050	35.0	25.9	14.50	12.25
TCHD36S41S3	TM8E080B12MP11	17.5	CF/CM50C	1225	34.6	28.3	14.00	11.75
TCHD36S41S3	TM8E080B12MP11	17.5	CF42B	1200	35.4	28.0	13.75	11.50
TCHD36S41S3	TM8E080C16MP11	21.0	CF/CM/CU42C	1100	35.6	27.4	13.75	11.25
TCHD36S41S3	TM8E080C16MP11	21.0	CF/CM/CU48C	1100	35.6	27.1	14.00	11.75
TCHD36S41S3	TM8E080C16MP11	21.0	CF/CM/CU48D	1100	35.6	27.1	14.00	11.50
TCHD36S41S3	TM8E080C16MP11	21.0	CF/CM/CU60C	1100	35.4	26.6	14.50	12.00
TCHD36S41S3	TM8E080C16MP11	21.0	CF/CM/CU60D	1125	35.8	27.9	14.50	12.00
TCHD36S41S3	TM8E080C16MP11	21.0	CF/CM42D	1125	35.8	27.7	13.75	11.50
TCHD36S41S3	TM8E080C16MP11	21.0	CF/CM50C	1075	34.6	26.6	14.25	11.75
TCHD36S41S3	TM8E080C16MP11	21.0	CF/CM61D	1275	35.0	29.2	14.50	12.25
TCHD36S41S3	TM8E080C16MP11	21.0	CF/CM64D	1100	35.8	27.7	15.00	12.50
TCHD36S41S3	TM8E080C20MP11	21.0	CF/CM/CU42C	1250	35.8	29.1	13.75	11.25
TCHD36S41S3	TM8E080C20MP11	21.0	CF/CM/CU48C	1250	35.8	29.1	14.00	11.75
TCHD36S41S3	TM8E080C20MP11	21.0	CF/CM/CU48D	1275	35.8	29.6	14.00	11.50
TCHD36S41S3	TM8E080C20MP11	21.0	CF/CM/CU60C	1250	35.8	28.5	14.50	12.00
TCHD36S41S3	TM8E080C20MP11	21.0	CF/CM/CU60D	1275	35.8	29.8	14.50	12.00
TCHD36S41S3	TM8E080C20MP11	21.0	CF/CM42D	1275	35.8	29.6	13.75	11.50
TCHD36S41S3	TM8E080C20MP11	21.0	CF/CM50C	1225	35.0	28.6	14.25	12.00
TCHD36S41S3	TM8E080C20MP11	21.0	CF/CM61D	1250	35.0	28.9	14.75	12.25
TCHD36S41S3	TM8E080C20MP11	21.0	CF/CM64D	1250	35.8	29.7	15.00	12.50
TCHD36S41S3	TM8E100B12MP11	17.5	CF/CM/CU42C	1100	35.4	27.2	13.75	11.25
TCHD36S41S3	TM8E100B12MP11	17.5	CF/CM/CU48C	1100	35.6	27.2	14.00	11.50
TCHD36S41S3	TM8E100B12MP11	17.5	CF/CM/CU60C	1100	35.2	26.5	14.50	12.25
TCHD36S41S3	TM8E100B12MP11	17.5	CF/CM50C	1075	34.4	26.5	14.25	12.00
TCHD36S41S3	TM8E100B12MP11	17.5	CF42B	1050	35.2	26.7	13.75	11.50
TCHD36S41S3	TM8E100C16MP11	21.0	CF/CM/CU42C	1125	35.6	27.5	13.75	11.25
TCHD36S41S3	TM8E100C16MP11	21.0	CF/CM/CU48C	1125	35.8	27.6	14.00	11.75
TCHD36S41S3	TM8E100C16MP11	21.0	CF/CM/CU48D	1125	35.8	27.6	14.00	11.75
TCHD36S41S3	TM8E100C16MP11	21.0	CF/CM/CU60C	1125	35.4	27.0	14.50	12.25
TCHD36S41S3	TM8E100C16MP11	21.0	CF/CM/CU60D	1125	35.8	27.9	14.50	12.25
TCHD36S41S3	TM8E100C16MP11	21.0	CF/CM42D	1125	35.6	27.5	13.75	11.25
TCHD36S41S3	TM8E100C16MP11	21.0	CF/CM50C	1100	34.6	27.0	14.25	11.75
TCHD36S41S3	TM8E100C16MP11	21.0	CF/CM61D	1100	34.6	27.0	14.75	12.25
TCHD36S41S3	TM8E100C16MP11	21.0	CF/CM64D	1125	35.8	28.0	15.00	12.50
TCHD36S41S3	TM8E100C20MP11	21.0	CF/CM/CU42C	1250	35.8	29.1	13.75	11.25
TCHD36S41S3	TM8E100C20MP11	21.0	CF/CM/CU48C	1250	35.8	29.1	14.00	11.75
TCHD36S41S3	TM8E100C20MP11	21.0	CF/CM/CU48D	1275	35.8	29.6	14.00	11.50
TCHD36S41S3	TM8E100C20MP11	21.0	CF/CM/CU60C	1250	35.8	28.5	14.50	12.00
TCHD36S41S3	TM8E100C20MP11	21.0	CF/CM/CU60D	1275	35.8	29.8	14.50	12.00
TCHD36S41S3	TM8E100C20MP11	21.0	CF/CM42D	1275	35.8	29.6	13.75	11.50
TCHD36S41S3	TM8E100C20MP11	21.0	CF/CM50C	1225	35.0	28.6	14.25	12.00
TCHD36S41S3	TM8E100C20MP11	21.0	CF/CM61D	1225	35.0	28.6	14.75	12.50
TCHD36S41S3	TM8E100C20MP11	21.0	CF/CM64D	1250	35.8	29.7	15.00	12.50
TCHD36S41S3	TM8E120C16MP11	21.0	CF/CM/CU42C	1125	35.6	27.5	13.75	11.25
TCHD36S41S3	TM8E120C16MP11	21.0	CF/CM/CU48C	1125	35.8	27.6	14.00	11.75
TCHD36S41S3	TM8E120C16MP11	21.0	CF/CM/CU48D	1125	35.8	27.6	14.00	11.75

**COOLING CAPACITY - With High Efficiency Motor Furnaces<sup>1</sup> (Continued)**

UNIT MODEL	FURNACE		COIL MODEL <sup>2</sup>	COOLING				
	MODEL	WIDTH		RATED CFM	Net MBH		SEER	EER
					TOTAL	SENS.		
TCHD36S41S3	TM8E120C16MP11	21.0	CF/CM/CU60C	1125	35.4	27.0	14.50	12.00
TCHD36S41S3	TM8E120C16MP11	21.0	CF/CM/CU60D	1125	35.8	27.9	14.50	12.25
TCHD36S41S3	TM8E120C16MP11	21.0	CF/CM42D	1125	35.6	27.5	13.75	11.50
TCHD36S41S3	TM8E120C16MP11	21.0	CF/CM50C	1100	34.6	27.0	14.25	11.75
TCHD36S41S3	TM8E120C16MP11	21.0	CF/CM61D	1300	35.0	29.5	14.50	12.25
TCHD36S41S3	TM8E120C16MP11	21.0	CF/CM64D	1125	35.8	28.0	15.00	12.50
TCHD36S41S3	TM8E120C20MP11	21.0	CF/CM/CU42C	1275	35.8	29.6	13.75	11.50
TCHD36S41S3	TM8E120C20MP11	21.0	CF/CM/CU48C	1300	35.8	29.8	14.00	11.50
TCHD36S41S3	TM8E120C20MP11	21.0	CF/CM/CU48D	1300	35.8	29.8	14.00	11.75
TCHD36S41S3	TM8E120C20MP11	21.0	CF/CM/CU60C	1275	35.8	28.9	14.50	12.25
TCHD36S41S3	TM8E120C20MP11	21.0	CF/CM/CU60D	1325	35.8	29.5	14.50	12.00
TCHD36S41S3	TM8E120C20MP11	21.0	CF/CM42D	1300	35.8	29.9	13.75	11.25
TCHD36S41S3	TM8E120C20MP11	21.0	CF/CM50C	1250	35.0	28.9	14.25	11.75
TCHD36S41S3	TM8E120C20MP11	21.0	CF/CM61D	1275	35.0	29.1	14.75	12.50
TCHD36S41S3	TM8E120C20MP11	21.0	CF/CM64D	1300	35.8	30.5	15.00	12.50
TCHD36S41S3	TM8E130D20MP11	24.5	CF/CM/CU48D	1300	35.8	29.8	14.00	11.75
TCHD36S41S3	TM8E130D20MP11	24.5	CF/CM/CU60D	1325	35.8	30.5	14.50	12.00
TCHD36S41S3	TM8E130D20MP11	24.5	CF/CM42D	1300	35.8	29.9	13.75	11.25
TCHD36S41S3	TM8E130D20MP11	24.5	CF/CM61D	1275	35.2	29.3	14.75	12.50
TCHD36S41S3	TM8E130D20MP11	24.5	CF/CM64D	1300	35.8	30.5	15.00	12.50
TCHD36S41S3	TM8V060A12MP12C	14.5	CF42B	1050	35.0	26.5	13.75	11.50
TCHD36S41S3	TM8V080B12MP12C	17.5	CF/CM/CU42C	1100	35.2	27.1	13.75	11.50
TCHD36S41S3	TM8V080B12MP12C	17.5	CF/CM/CU48C	1100	35.2	26.8	14.00	12.00
TCHD36S41S3	TM8V080B12MP12C	17.5	CF/CM/CU60C	1100	35.0	26.4	14.25	12.00
TCHD36S41S3	TM8V080B12MP12C	17.5	CF42B	1100	35.0	27.0	13.75	11.50
TCHD36S41S3	TM8V080C16MP12C	21.0	CF/CM/CU42C	1050	35.4	26.8	13.75	11.50
TCHD36S41S3	TM8V080C16MP12C	21.0	CF/CM/CU48C	1050	35.6	26.6	14.00	11.75
TCHD36S41S3	TM8V080C16MP12C	21.0	CF/CM/CU48D	1050	35.6	26.6	14.00	11.75
TCHD36S41S3	TM8V080C16MP12C	21.0	CF/CM/CU60C	1050	35.2	26.0	14.50	12.25
TCHD36S41S3	TM8V080C16MP12C	21.0	CF/CM42D	1050	35.4	26.8	13.75	11.25
TCHD36S41S3	TM8V080C16MP12C	21.0	CF/CM50C	1150	34.8	27.6	14.25	12.00
TCHD36S41S3	TM8V080C16MP12C	21.0	CF/CM61D	1200	34.8	28.2	14.50	12.25
TCHD36S41S3	TM8V080C16MP12C	21.0	CF/CM64D	1150	35.8	28.4	15.00	12.75
TCHD36S41S3	TM8V100C16MP12C	21.0	CF/CM/CU42C	1050	35.4	26.8	13.75	11.50
TCHD36S41S3	TM8V100C16MP12C	21.0	CF/CM/CU48C	1050	35.6	26.6	14.00	11.75
TCHD36S41S3	TM8V100C16MP12C	21.0	CF/CM/CU48D	1050	35.6	26.6	14.00	11.75
TCHD36S41S3	TM8V100C16MP12C	21.0	CF/CM/CU60C	1050	35.2	26.0	14.50	12.25
TCHD36S41S3	TM8V100C16MP12C	21.0	CF/CM42D	1050	35.4	26.8	13.75	11.25
TCHD36S41S3	TM8V100C16MP12C	21.0	CF/CM50C	1150	34.8	27.6	14.25	12.00
TCHD36S41S3	TM8V100C16MP12C	21.0	CF/CM61D	1200	34.8	28.2	14.50	12.25
TCHD36S41S3	TM8V100C16MP12C	21.0	CF/CM64D	1150	35.8	28.4	15.00	12.75
TCHD36S41S3	TM8V100C20MP12C	21.0	CF/CM/CU42C	1225	35.8	28.7	13.75	11.25
TCHD36S41S3	TM8V100C20MP12C	21.0	CF/CM/CU48C	1225	35.8	28.9	14.00	11.75
TCHD36S41S3	TM8V100C20MP12C	21.0	CF/CM/CU48D	1225	35.8	28.9	14.00	11.50
TCHD36S41S3	TM8V100C20MP12C	21.0	CF/CM/CU60C	1325	35.8	29.4	14.50	12.25
TCHD36S41S3	TM8V100C20MP12C	21.0	CF/CM42D	1225	35.8	28.7	13.75	11.50
TCHD36S41S3	TM8V100C20MP12C	21.0	CF/CM50C	1225	35.0	28.6	14.25	11.75
TCHD36S41S3	TM8V100C20MP12C	21.0	CF/CM61D	1225	35.0	28.6	14.75	12.50
TCHD36S41S3	TM8V100C20MP12C	21.0	CF/CM64D	1375	35.8	31.3	15.00	12.75
TCHD36S41S3	TM8V120C20MP12C	21.0	CF/CM/CU42C	1225	35.8	28.7	13.75	11.25
TCHD36S41S3	TM8V120C20MP12C	21.0	CF/CM/CU48C	1225	35.8	28.9	14.00	11.75
TCHD36S41S3	TM8V120C20MP12C	21.0	CF/CM/CU48D	1225	35.8	28.9	14.00	11.50
TCHD36S41S3	TM8V120C20MP12C	21.0	CF/CM/CU60C	1325	35.8	29.4	14.50	12.25

**COOLING CAPACITY - With High Efficiency Motor Furnaces<sup>1</sup> (Continued)**

UNIT MODEL	FURNACE		COIL MODEL <sup>2</sup>	COOLING				
	MODEL	WIDTH		RATED CFM	Net MBH		SEER	EER
					TOTAL	SENS.		
TCHD36S41S3	TM8V120C20MP12C	21.0	CF/CM42D	1225	35.8	28.7	13.75	11.50
TCHD36S41S3	TM8V120C20MP12C	21.0	CF/CM50C	1225	35.0	28.6	14.25	11.75
TCHD36S41S3	TM8V120C20MP12C	21.0	CF/CM61D	1225	35.0	28.6	14.75	12.50
TCHD36S41S3	TM8V120C20MP12C	21.0	CF/CM64D	1375	35.8	31.3	15.00	12.75
TCHD36S41S3	TM8X060A12MP11	14.5	CF42B	1125	35.2	27.2	13.75	11.75
TCHD36S41S3	TM8X080B12MP11	17.5	CF/CM/CU42C	1200	35.6	28.2	13.75	11.50
TCHD36S41S3	TM8X080B12MP11	17.5	CF/CM/CU48C	1200	35.8	28.3	14.00	11.50
TCHD36S41S3	TM8X080B12MP11	17.5	CF/CM/CU60C	1200	35.4	27.7	14.50	12.25
TCHD36S41S3	TM8X080B12MP11	17.5	CF/CM50C	1175	34.6	27.7	14.25	12.00
TCHD36S41S3	TM8X080B12MP11	17.5	CF42B	1150	35.4	27.7	13.75	11.75
TCHD36S41S3	TM8X080C16MP11	21.0	CF/CM/CU42C	1150	35.6	27.9	13.75	11.50
TCHD36S41S3	TM8X080C16MP11	21.0	CF/CM/CU48C	1150	35.8	27.8	14.00	11.50
TCHD36S41S3	TM8X080C16MP11	21.0	CF/CM/CU48D	1150	35.8	27.8	14.00	11.50
TCHD36S41S3	TM8X080C16MP11	21.0	CF/CM/CU60C	1150	35.4	27.2	14.50	12.25
TCHD36S41S3	TM8X080C16MP11	21.0	CF/CM42D	1175	35.8	28.1	13.75	11.25
TCHD36S41S3	TM8X080C16MP11	21.0	CF/CM50C	1125	34.8	27.4	14.25	12.00
TCHD36S41S3	TM8X080C16MP11	21.0	CF/CM61D	1125	34.8	27.4	14.75	12.50
TCHD36S41S3	TM8X080C16MP11	21.0	CF/CM64D	1375	35.8	31.2	15.00	12.50
TCHD36S41S3	TM8X100C16MP11	21.0	CF/CM/CU42C	1150	35.6	27.9	13.75	11.50
TCHD36S41S3	TM8X100C16MP11	21.0	CF/CM/CU48C	1150	35.8	27.8	14.00	11.50
TCHD36S41S3	TM8X100C16MP11	21.0	CF/CM/CU48D	1150	35.8	27.8	14.00	11.50
TCHD36S41S3	TM8X100C16MP11	21.0	CF/CM/CU60C	1150	35.4	27.2	14.50	12.25
TCHD36S41S3	TM8X100C16MP11	21.0	CF/CM42D	1175	35.8	28.1	13.75	11.25
TCHD36S41S3	TM8X100C16MP11	21.0	CF/CM50C	1125	34.8	27.4	14.25	12.00
TCHD36S41S3	TM8X100C16MP11	21.0	CF/CM61D	1125	34.8	27.4	14.75	12.50
TCHD36S41S3	TM8X100C16MP11	21.0	CF/CM64D	1375	35.8	31.2	15.00	12.50
TCHD36S41S3	TM8X100C20MP11	21.0	CF/CM/CU42C	1225	35.8	28.7	13.75	11.50
TCHD36S41S3	TM8X100C20MP11	21.0	CF/CM/CU48C	1225	35.8	28.9	14.00	11.50
TCHD36S41S3	TM8X100C20MP11	21.0	CF/CM/CU48D	1250	35.8	29.1	14.00	11.50
TCHD36S41S3	TM8X100C20MP11	21.0	CF/CM/CU60C	1225	35.8	28.2	14.50	12.00
TCHD36S41S3	TM8X100C20MP11	21.0	CF/CM42D	1250	35.8	29.3	13.75	11.25
TCHD36S41S3	TM8X100C20MP11	21.0	CF/CM50C	1200	35.0	28.3	14.25	11.75
TCHD36S41S3	TM8X100C20MP11	21.0	CF/CM61D	1200	35.0	28.3	14.75	12.25
TCHD36S41S3	TM8X100C20MP11	21.0	CF/CM64D	1400	35.8	31.6	15.00	12.75
TCHD36S41S3	TM8X120C20MP11	21.0	CF/CM/CU42C	1225	35.8	28.7	13.75	11.50
TCHD36S41S3	TM8X120C20MP11	21.0	CF/CM/CU48C	1225	35.8	28.9	14.00	11.50
TCHD36S41S3	TM8X120C20MP11	21.0	CF/CM/CU48D	1250	35.8	29.1	14.00	11.50
TCHD36S41S3	TM8X120C20MP11	21.0	CF/CM/CU60C	1225	35.8	28.2	14.50	12.00
TCHD36S41S3	TM8X120C20MP11	21.0	CF/CM42D	1250	35.8	29.3	13.75	11.25
TCHD36S41S3	TM8X120C20MP11	21.0	CF/CM50C	1200	35.0	28.3	14.25	11.75
TCHD36S41S3	TM8X120C20MP11	21.0	CF/CM61D	1200	35.0	28.3	14.75	12.25
TCHD36S41S3	TM8X120C20MP11	21.0	CF/CM64D	1400	35.8	31.6	15.00	12.75
TCHD36S41S3	TM8Y060A12MP11	14.5	CF42B	1125	35.2	27.2	13.75	11.75
TCHD36S41S3	TM8Y080B12MP11	17.5	CF/CM/CU42C	1200	35.6	28.2	13.75	11.50
TCHD36S41S3	TM8Y080B12MP11	17.5	CF/CM/CU48C	1200	35.8	28.3	14.00	11.50
TCHD36S41S3	TM8Y080B12MP11	17.5	CF/CM/CU60C	1200	35.4	27.7	14.50	12.25
TCHD36S41S3	TM8Y080B12MP11	17.5	CF/CM50C	1175	34.6	27.7	14.25	12.00
TCHD36S41S3	TM8Y080B12MP11	17.5	CF42B	1150	35.4	27.7	13.75	11.75
TCHD36S41S3	TM8Y080C16MP11	21.0	CF/CM/CU42C	1150	35.6	27.9	13.75	11.50
TCHD36S41S3	TM8Y080C16MP11	21.0	CF/CM/CU48C	1150	35.8	27.8	14.00	11.50
TCHD36S41S3	TM8Y080C16MP11	21.0	CF/CM/CU48D	1150	35.8	27.8	14.00	11.50
TCHD36S41S3	TM8Y080C16MP11	21.0	CF/CM/CU60C	1150	35.4	27.2	14.50	12.25
TCHD36S41S3	TM8Y080C16MP11	21.0	CF/CM42D	1175	35.8	28.1	13.75	11.25

**COOLING CAPACITY - With High Efficiency Motor Furnaces<sup>1</sup> (Continued)**

UNIT MODEL	FURNACE		COIL MODEL <sup>2</sup>	COOLING				
	MODEL	WIDTH		RATED CFM	Net MBH		SEER	EER
					TOTAL	SENS.		
TCHD36S41S3	TM8Y080C16MP11	21.0	CF/CM50C	1125	34.8	27.4	14.25	12.00
TCHD36S41S3	TM8Y080C16MP11	21.0	CF/CM61D	1125	34.8	27.4	14.75	12.50
TCHD36S41S3	TM8Y080C16MP11	21.0	CF/CM64D	1375	35.8	31.2	15.00	12.50
TCHD36S41S3	TM8Y100C16MP11	21.0	CF/CM/CU42C	1150	35.6	27.9	13.75	11.50
TCHD36S41S3	TM8Y100C16MP11	21.0	CF/CM/CU48C	1150	35.8	27.8	14.00	11.50
TCHD36S41S3	TM8Y100C16MP11	21.0	CF/CM/CU48D	1150	35.8	27.8	14.00	11.50
TCHD36S41S3	TM8Y100C16MP11	21.0	CF/CM/CU60C	1150	35.4	27.2	14.50	12.25
TCHD36S41S3	TM8Y100C16MP11	21.0	CF/CM42D	1175	35.8	28.1	13.75	11.25
TCHD36S41S3	TM8Y100C16MP11	21.0	CF/CM50C	1125	34.8	27.4	14.25	12.00
TCHD36S41S3	TM8Y100C16MP11	21.0	CF/CM61D	1125	34.8	27.4	14.75	12.50
TCHD36S41S3	TM8Y100C16MP11	21.0	CF/CM64D	1375	35.8	31.2	15.00	12.50
TCHD36S41S3	TM8Y100C20MP11	21.0	CF/CM/CU42C	1225	35.8	28.7	13.75	11.50
TCHD36S41S3	TM8Y100C20MP11	21.0	CF/CM/CU48C	1225	35.8	28.9	14.00	11.50
TCHD36S41S3	TM8Y100C20MP11	21.0	CF/CM/CU48D	1250	35.8	29.1	14.00	11.50
TCHD36S41S3	TM8Y100C20MP11	21.0	CF/CM/CU60C	1225	35.8	28.2	14.50	12.00
TCHD36S41S3	TM8Y100C20MP11	21.0	CF/CM42D	1250	35.8	29.3	13.75	11.25
TCHD36S41S3	TM8Y100C20MP11	21.0	CF/CM50C	1200	35.0	28.3	14.25	11.75
TCHD36S41S3	TM8Y100C20MP11	21.0	CF/CM61D	1200	35.0	28.3	14.75	12.25
TCHD36S41S3	TM8Y100C20MP11	21.0	CF/CM64D	1400	35.8	31.6	15.00	12.75
TCHD36S41S3	TM8Y120C20MP11	21.0	CF/CM/CU42C	1225	35.8	28.7	13.75	11.50
TCHD36S41S3	TM8Y120C20MP11	21.0	CF/CM/CU48C	1225	35.8	28.9	14.00	11.50
TCHD36S41S3	TM8Y120C20MP11	21.0	CF/CM/CU48D	1250	35.8	29.1	14.00	11.50
TCHD36S41S3	TM8Y120C20MP11	21.0	CF/CM/CU60C	1225	35.8	28.2	14.50	12.00
TCHD36S41S3	TM8Y120C20MP11	21.0	CF/CM42D	1250	35.8	29.3	13.75	11.25
TCHD36S41S3	TM8Y120C20MP11	21.0	CF/CM50C	1200	35.0	28.3	14.25	11.75
TCHD36S41S3	TM8Y120C20MP11	21.0	CF/CM61D	1200	35.0	28.3	14.75	12.25
TCHD36S41S3	TM8Y120C20MP11	21.0	CF/CM64D	1400	35.8	31.6	15.00	12.75
TCHD36S41S3	TM9E060A10MP12	14.5	CF42B	1125	35.0	27.0	13.75	11.75
TCHD36S41S3	TM9E060B12MP11	17.5	CF/CM/CU42C	1125	35.2	27.2	13.75	11.50
TCHD36S41S3	TM9E060B12MP11	17.5	CF/CM/CU48C	1150	35.4	27.5	14.00	12.00
TCHD36S41S3	TM9E060B12MP11	17.5	CF/CM/CU60C	1125	34.8	26.5	14.00	12.00
TCHD36S41S3	TM9E060B12MP11	17.5	CF/CM50C	1125	34.4	27.1	14.00	11.75
TCHD36S41S3	TM9E060B12MP11	17.5	CF42B	1100	35.0	26.9	13.75	11.50
TCHD36S41S3	TM9E060B12MP12	17.5	CF/CM/CU42C	1100	35.2	27.1	13.75	11.50
TCHD36S41S3	TM9E060B12MP12	17.5	CF/CM/CU48C	1100	35.2	26.8	14.00	11.75
TCHD36S41S3	TM9E060B12MP12	17.5	CF/CM/CU60C	1100	35.0	26.3	14.25	12.25
TCHD36S41S3	TM9E060B12MP12	17.5	CF/CM50C	1075	34.2	26.3	14.00	11.75
TCHD36S41S3	TM9E060B12MP12	17.5	CF42B	1050	35.0	26.5	13.75	11.50
TCHD36S41S3	TM9E080B12MP11	17.5	CF/CM/CU42C	1175	35.4	27.8	13.75	11.50
TCHD36S41S3	TM9E080B12MP11	17.5	CF/CM/CU48C	1200	35.8	28.3	14.00	11.50
TCHD36S41S3	TM9E080B12MP11	17.5	CF/CM/CU60C	1175	35.2	27.3	14.50	12.25
TCHD36S41S3	TM9E080B12MP11	17.5	CF/CM50C	1175	34.6	27.7	14.00	12.00
TCHD36S41S3	TM9E080B12MP11	17.5	CF42B	1150	35.2	27.5	13.75	11.75
TCHD36S41S3	TM9E080B12MP12	17.5	CF/CM/CU42C	1075	35.2	26.9	13.75	11.50
TCHD36S41S3	TM9E080B12MP12	17.5	CF/CM/CU48C	1075	35.4	26.7	14.00	11.50
TCHD36S41S3	TM9E080B12MP12	17.5	CF/CM/CU60C	1250	35.4	28.2	14.25	12.00
TCHD36S41S3	TM9E080B12MP12	17.5	CF/CM50C	1225	34.6	28.3	13.75	11.75
TCHD36S41S3	TM9E080B12MP12	17.5	CF42B	1200	35.4	28.0	13.75	11.75
TCHD36S41S3	TM9E080C16MP11	21.0	CF/CM/CU42C	1250	35.8	28.9	13.75	11.50
TCHD36S41S3	TM9E080C16MP11	21.0	CF/CM/CU48C	1150	35.8	27.8	14.00	11.75
TCHD36S41S3	TM9E080C16MP11	21.0	CF/CM/CU48D	1150	35.8	27.8	14.00	11.75
TCHD36S41S3	TM9E080C16MP11	21.0	CF/CM/CU60C	1250	35.6	28.3	14.50	12.25
TCHD36S41S3	TM9E080C16MP11	21.0	CF/CM42D	1150	35.6	27.9	13.75	11.25

COOLING CAPACITY - With High Efficiency Motor Furnaces<sup>1</sup> (Continued)

UNIT MODEL	FURNACE		COIL MODEL <sup>2</sup>	COOLING				
	MODEL	WIDTH		RATED CFM	Net MBH		SEER	EER
					TOTAL	SENS.		
TCHD36S41S3	TM9E080C16MP11	21.0	CF/CM50C	1250	34.6	28.5	14.25	12.00
TCHD36S41S3	TM9E080C16MP11	21.0	CF/CM61D	1250	34.6	28.5	14.25	12.00
TCHD36S41S3	TM9E080C16MP11	21.0	CF/CM64D	1275	35.8	29.7	15.00	12.75
TCHD36S41S3	TM9E080C16MP12	21.0	CF/CM/CU42C	1275	35.8	29.2	13.75	11.50
TCHD36S41S3	TM9E080C16MP12	21.0	CF/CM/CU48C	1100	35.6	27.2	14.00	11.50
TCHD36S41S3	TM9E080C16MP12	21.0	CF/CM/CU48D	1100	35.6	27.2	14.00	11.50
TCHD36S41S3	TM9E080C16MP12	21.0	CF/CM/CU60C	1275	35.8	28.7	14.50	12.25
TCHD36S41S3	TM9E080C16MP12	21.0	CF/CM42D	1275	35.8	29.4	13.75	11.50
TCHD36S41S3	TM9E080C16MP12	21.0	CF/CM50C	1250	34.8	28.7	14.25	12.00
TCHD36S41S3	TM9E080C16MP12	21.0	CF/CM61D	1250	34.8	28.7	14.25	12.00
TCHD36S41S3	TM9E080C16MP12	21.0	CF/CM64D	1275	35.8	29.9	15.00	12.75
TCHD36S41S3	TM9E080C20MP12	21.0	CF/CM/CU42C	1225	35.8	28.7	13.75	11.25
TCHD36S41S3	TM9E080C20MP12	21.0	CF/CM/CU48C	1225	35.8	28.9	14.00	11.75
TCHD36S41S3	TM9E080C20MP12	21.0	CF/CM/CU48D	1250	35.8	29.1	14.00	11.50
TCHD36S41S3	TM9E080C20MP12	21.0	CF/CM/CU60C	1225	35.8	28.2	14.50	12.00
TCHD36S41S3	TM9E080C20MP12	21.0	CF/CM42D	1250	35.8	29.3	13.75	11.50
TCHD36S41S3	TM9E080C20MP12	21.0	CF/CM50C	1200	35.0	28.3	14.25	12.00
TCHD36S41S3	TM9E080C20MP12	21.0	CF/CM61D	1225	35.0	28.6	14.75	12.50
TCHD36S41S3	TM9E080C20MP12	21.0	CF/CM64D	1250	35.8	29.7	15.00	12.75
TCHD36S41S3	TM9E100C16MP11	21.0	CF/CM/CU42C	1275	35.8	29.4	13.75	11.50
TCHD36S41S3	TM9E100C16MP11	21.0	CF/CM/CU48C	1275	35.8	29.2	14.00	11.75
TCHD36S41S3	TM9E100C16MP11	21.0	CF/CM/CU48D	1300	35.8	29.6	14.00	11.50
TCHD36S41S3	TM9E100C16MP11	21.0	CF/CM/CU60C	1275	35.8	28.7	14.50	12.25
TCHD36S41S3	TM9E100C16MP11	21.0	CF/CM42D	1175	35.8	28.1	13.75	11.50
TCHD36S41S3	TM9E100C16MP11	21.0	CF/CM50C	1250	34.8	28.7	14.25	12.00
TCHD36S41S3	TM9E100C16MP11	21.0	CF/CM61D	1250	34.8	28.7	14.25	12.00
TCHD36S41S3	TM9E100C16MP11	21.0	CF/CM64D	1275	35.8	29.9	15.00	12.75
TCHD36S41S3	TM9E100C16MP12	21.0	CF/CM/CU42C	1075	35.4	27.0	13.75	11.50
TCHD36S41S3	TM9E100C16MP12	21.0	CF/CM/CU48C	1275	35.8	29.2	14.00	11.75
TCHD36S41S3	TM9E100C16MP12	21.0	CF/CM/CU48D	1300	35.8	29.6	14.00	11.50
TCHD36S41S3	TM9E100C16MP12	21.0	CF/CM/CU60C	1275	35.8	28.7	14.50	12.25
TCHD36S41S3	TM9E100C16MP12	21.0	CF/CM42D	1075	35.4	27.0	13.75	11.25
TCHD36S41S3	TM9E100C16MP12	21.0	CF/CM50C	1250	34.8	28.7	14.25	12.00
TCHD36S41S3	TM9E100C16MP12	21.0	CF/CM61D	1275	35.0	29.2	14.25	12.00
TCHD36S41S3	TM9E100C16MP12	21.0	CF/CM64D	1275	35.8	29.9	15.00	12.75
TCHD36S41S3	TM9E100C20MP11	21.0	CF/CM/CU42C	1175	35.8	28.1	13.75	11.50
TCHD36S41S3	TM9E100C20MP11	21.0	CF/CM/CU48C	1175	35.8	28.0	14.00	11.75
TCHD36S41S3	TM9E100C20MP11	21.0	CF/CM/CU48D	1200	35.8	28.4	14.00	11.50
TCHD36S41S3	TM9E100C20MP11	21.0	CF/CM/CU60C	1350	35.8	29.6	14.50	12.25
TCHD36S41S3	TM9E100C20MP11	21.0	CF/CM42D	1200	35.8	28.3	13.75	11.50
TCHD36S41S3	TM9E100C20MP11	21.0	CF/CM50C	1150	34.8	27.6	14.25	12.00
TCHD36S41S3	TM9E100C20MP11	21.0	CF/CM61D	1175	34.8	27.9	14.75	12.25
TCHD36S41S3	TM9E100C20MP11	21.0	CF/CM64D	1375	35.8	31.2	15.00	12.75
TCHD36S41S3	TM9E100C20MP12	21.0	CF/CM/CU42C	1225	35.8	28.7	13.75	11.50
TCHD36S41S3	TM9E100C20MP12	21.0	CF/CM/CU48C	1225	35.8	28.9	14.00	11.50
TCHD36S41S3	TM9E100C20MP12	21.0	CF/CM/CU48D	1225	35.8	28.9	14.00	11.50
TCHD36S41S3	TM9E100C20MP12	21.0	CF/CM/CU60C	1225	35.8	28.2	14.50	12.00
TCHD36S41S3	TM9E100C20MP12	21.0	CF/CM42D	1225	35.8	28.7	13.75	11.50
TCHD36S41S3	TM9E100C20MP12	21.0	CF/CM50C	1175	34.8	27.9	14.25	12.00
TCHD36S41S3	TM9E100C20MP12	21.0	CF/CM61D	1200	35.0	28.3	14.75	12.25
TCHD36S41S3	TM9E100C20MP12	21.0	CF/CM64D	1225	35.8	29.4	15.00	12.50
TCHD36S41S3	TM9E120D20MP11	24.5	CF/CM/CU48D	1250	35.8	29.1	14.00	11.75
TCHD36S41S3	TM9E120D20MP11	24.5	CF/CM42D	1250	35.8	29.1	13.75	11.25



**COOLING CAPACITY - With High Efficiency Motor Furnaces<sup>1</sup> (Continued)**

UNIT MODEL	FURNACE		COIL MODEL <sup>2</sup>	COOLING				
	MODEL	WIDTH		RATED CFM	Net MBH		SEER	EER
					TOTAL	SENS.		
TCHD36S41S3	TM9E120D20MP11	24.5	CF/CM61D	1225	35.0	28.6	14.75	12.50
TCHD36S41S3	TM9E120D20MP11	24.5	CF/CM64D	1400	35.8	31.6	15.00	12.75
TCHD36S41S3	TM9E120D20MP12	24.5	CF/CM/CU48D	1250	35.8	29.1	14.00	11.50
TCHD36S41S3	TM9E120D20MP12	24.5	CF/CM42D	1250	35.8	29.1	13.75	11.25
TCHD36S41S3	TM9E120D20MP12	24.5	CF/CM61D	1225	35.0	28.6	14.75	12.50
TCHD36S41S3	TM9E120D20MP12	24.5	CF/CM64D	1250	35.8	29.7	15.00	12.50
TCHD36S41S3	TM9V060B12MP12C	17.5	CF/CM/CU42C	1100	35.2	27.1	13.75	11.50
TCHD36S41S3	TM9V060B12MP12C	17.5	CF/CM/CU48C	1100	35.2	26.8	14.00	11.75
TCHD36S41S3	TM9V060B12MP12C	17.5	CF/CM/CU60C	1100	35.0	26.3	14.25	12.00
TCHD36S41S3	TM9V060B12MP12C	17.5	CF/CM50C	1100	34.2	26.6	14.00	11.75
TCHD36S41S3	TM9V060B12MP12C	17.5	CF42B	1100	35.0	26.9	13.75	11.75
TCHD36S41S3	TM9V080B12MP12C	17.5	CF/CM/CU42C	1150	35.4	27.7	13.75	11.50
TCHD36S41S3	TM9V080B12MP12C	17.5	CF/CM/CU48C	1250	35.8	28.8	14.00	11.75
TCHD36S41S3	TM9V080B12MP12C	17.5	CF/CM/CU60C	1250	35.4	28.2	14.25	12.00
TCHD36S41S3	TM9V080B12MP12C	17.5	CF/CM50C	1175	34.6	27.7	14.00	11.75
TCHD36S41S3	TM9V080B12MP12C	17.5	CF42B	1175	35.4	27.8	13.75	11.50
TCHD36S41S3	TM9V080C16MP12C	21.0	CF/CM/CU42C	1125	35.6	27.5	13.75	11.50
TCHD36S41S3	TM9V080C16MP12C	21.0	CF/CM/CU48C	1300	35.8	29.5	14.00	11.75
TCHD36S41S3	TM9V080C16MP12C	21.0	CF/CM/CU48D	1300	35.8	29.5	14.00	11.75
TCHD36S41S3	TM9V080C16MP12C	21.0	CF/CM/CU60C	1300	35.8	28.7	14.50	12.25
TCHD36S41S3	TM9V080C16MP12C	21.0	CF/CM42D	1225	35.8	28.6	13.75	11.50
TCHD36S41S3	TM9V080C16MP12C	21.0	CF/CM50C	1225	34.6	28.3	14.00	12.00
TCHD36S41S3	TM9V080C16MP12C	21.0	CF/CM61D	1300	34.8	29.3	14.00	11.75
TCHD36S41S3	TM9V080C16MP12C	21.0	CF/CM64D	1375	35.8	31.0	14.50	12.25
TCHD36S41S3	TM9V100C16MP12C	21.0	CF/CM/CU42C	1225	35.8	28.7	13.75	11.50
TCHD36S41S3	TM9V100C16MP12C	21.0	CF/CM/CU48C	1275	35.8	29.4	14.00	11.75
TCHD36S41S3	TM9V100C16MP12C	21.0	CF/CM/CU48D	1300	35.8	29.6	14.00	11.75
TCHD36S41S3	TM9V100C16MP12C	21.0	CF/CM/CU60C	1325	35.8	29.4	14.50	12.25
TCHD36S41S3	TM9V100C16MP12C	21.0	CF/CM42D	1250	35.8	29.1	13.75	11.50
TCHD36S41S3	TM9V100C16MP12C	21.0	CF/CM50C	1275	35.0	29.2	14.25	12.00
TCHD36S41S3	TM9V100C16MP12C	21.0	CF/CM61D	1275	35.0	29.2	14.50	12.25
TCHD36S41S3	TM9V100C16MP12C	21.0	CF/CM64D	1300	35.8	30.3	15.00	12.50
TCHD36S41S3	TM9V100C20MP12C	21.0	CF/CM/CU42C	1225	35.8	28.7	13.75	11.50
TCHD36S41S3	TM9V100C20MP12C	21.0	CF/CM/CU48C	1275	35.8	29.4	14.00	11.50
TCHD36S41S3	TM9V100C20MP12C	21.0	CF/CM/CU48D	1275	35.8	29.4	14.00	11.75
TCHD36S41S3	TM9V100C20MP12C	21.0	CF/CM/CU60C	1350	35.8	29.6	14.50	12.25
TCHD36S41S3	TM9V100C20MP12C	21.0	CF/CM42D	1225	35.8	28.7	13.75	11.50
TCHD36S41S3	TM9V100C20MP12C	21.0	CF/CM50C	1275	34.8	29.0	14.25	12.00
TCHD36S41S3	TM9V100C20MP12C	21.0	CF/CM61D	1275	35.0	29.2	14.25	12.00
TCHD36S41S3	TM9V100C20MP12C	21.0	CF/CM64D	1350	35.8	30.8	15.00	12.75
TCHD36S41S3	TM9V120D20MP12C	24.5	CF/CM/CU48D	1300	35.8	29.8	14.00	11.75
TCHD36S41S3	TM9V120D20MP12C	24.5	CF/CM42D	1250	35.8	29.3	13.75	11.50
TCHD36S41S3	TM9V120D20MP12C	24.5	CF/CM61D	1300	35.0	29.5	14.50	12.25
TCHD36S41S3	TM9V120D20MP12C	24.5	CF/CM64D	1400	35.8	31.6	15.00	12.75
TCHD36S41S3	TM9Y060B12MP11	17.5	CF/CM/CU42C	1125	35.2	27.2	13.75	11.50
TCHD36S41S3	TM9Y060B12MP11	17.5	CF/CM/CU48C	1150	35.4	27.5	14.00	12.00
TCHD36S41S3	TM9Y060B12MP11	17.5	CF/CM/CU60C	1125	34.8	26.5	14.00	12.00
TCHD36S41S3	TM9Y060B12MP11	17.5	CF/CM50C	1125	34.4	27.1	14.00	11.75
TCHD36S41S3	TM9Y060B12MP11	17.5	CF42B	1100	35.0	26.9	13.75	11.50
TCHD36S41S3	TM9Y080B12MP11	17.5	CF/CM/CU42C	1175	35.4	27.8	13.75	11.50
TCHD36S41S3	TM9Y080B12MP11	17.5	CF/CM/CU48C	1200	35.8	28.3	14.00	11.50
TCHD36S41S3	TM9Y080B12MP11	17.5	CF/CM/CU60C	1175	35.2	27.3	14.50	12.25
TCHD36S41S3	TM9Y080B12MP11	17.5	CF/CM50C	1175	34.6	27.7	14.00	12.00

**COOLING CAPACITY - With High Efficiency Motor Furnaces<sup>1</sup> (Continued)**

UNIT MODEL	FURNACE		COIL MODEL <sup>2</sup>	COOLING				
	MODEL	WIDTH		RATED CFM	Net MBH		SEER	EER
					TOTAL	SENS.		
TCHD36S41S3	TM9Y080B12MP11	17.5	CF42B	1150	35.2	27.5	13.75	11.75
TCHD36S41S3	TM9Y080C16MP11	21.0	CF/CM/CU42C	1250	35.8	28.9	13.75	11.50
TCHD36S41S3	TM9Y080C16MP11	21.0	CF/CM/CU48C	1150	35.8	27.8	14.00	11.75
TCHD36S41S3	TM9Y080C16MP11	21.0	CF/CM/CU48D	1150	35.8	27.8	14.00	11.75
TCHD36S41S3	TM9Y080C16MP11	21.0	CF/CM/CU60C	1250	35.6	28.3	14.50	12.25
TCHD36S41S3	TM9Y080C16MP11	21.0	CF/CM42D	1150	35.6	27.9	13.75	11.25
TCHD36S41S3	TM9Y080C16MP11	21.0	CF/CM50C	1250	34.6	28.5	14.25	12.00
TCHD36S41S3	TM9Y080C16MP11	21.0	CF/CM61D	1250	34.6	28.5	14.25	12.00
TCHD36S41S3	TM9Y080C16MP11	21.0	CF/CM64D	1275	35.8	29.7	15.00	12.75
TCHD36S41S3	TM9Y100C16MP11	21.0	CF/CM/CU42C	1275	35.8	29.4	13.75	11.50
TCHD36S41S3	TM9Y100C16MP11	21.0	CF/CM/CU48C	1275	35.8	29.2	14.00	11.75
TCHD36S41S3	TM9Y100C16MP11	21.0	CF/CM/CU48D	1300	35.8	29.6	14.00	11.50
TCHD36S41S3	TM9Y100C16MP11	21.0	CF/CM/CU60C	1275	35.8	28.7	14.50	12.25
TCHD36S41S3	TM9Y100C16MP11	21.0	CF/CM42D	1175	35.8	28.1	13.75	11.50
TCHD36S41S3	TM9Y100C16MP11	21.0	CF/CM50C	1250	34.8	28.7	14.25	12.00
TCHD36S41S3	TM9Y100C16MP11	21.0	CF/CM61D	1250	34.8	28.7	14.25	12.00
TCHD36S41S3	TM9Y100C16MP11	21.0	CF/CM64D	1275	35.8	29.9	15.00	12.75
TCHD36S41S3	TM9Y100C20MP11	21.0	CF/CM/CU42C	1175	35.8	28.1	13.75	11.50
TCHD36S41S3	TM9Y100C20MP11	21.0	CF/CM/CU48C	1175	35.8	28.0	14.00	11.75
TCHD36S41S3	TM9Y100C20MP11	21.0	CF/CM/CU48D	1200	35.8	28.4	14.00	11.50
TCHD36S41S3	TM9Y100C20MP11	21.0	CF/CM/CU60C	1350	35.8	29.6	14.50	12.25
TCHD36S41S3	TM9Y100C20MP11	21.0	CF/CM42D	1200	35.8	28.3	13.75	11.50
TCHD36S41S3	TM9Y100C20MP11	21.0	CF/CM50C	1150	34.8	27.6	14.25	12.00
TCHD36S41S3	TM9Y100C20MP11	21.0	CF/CM61D	1175	34.8	27.9	14.75	12.25
TCHD36S41S3	TM9Y100C20MP11	21.0	CF/CM64D	1375	35.8	31.2	15.00	12.75
TCHD36S41S3	TM9Y120D20MP11	24.5	CF/CM/CU48D	1250	35.8	29.1	14.00	11.75
TCHD36S41S3	TM9Y120D20MP11	24.5	CF/CM42D	1250	35.8	29.1	13.75	11.25
TCHD36S41S3	TM9Y120D20MP11	24.5	CF/CM61D	1225	35.0	28.6	14.75	12.50
TCHD36S41S3	TM9Y120D20MP11	24.5	CF/CM64D	1400	35.8	31.6	15.00	12.75
TCHD36S41S3	TMLE040A12MP11	14.5	CF42B	1175	35.4	27.8	13.75	11.50
TCHD36S41S3	TMLE060A12MP11	14.5	CF42B	1200	35.4	28.0	13.75	11.50
TCHD36S41S3	TMLE080B12MP11	17.5	CF/CM/CU42C	1250	35.6	28.7	13.75	11.75
TCHD36S41S3	TMLE080B12MP11	17.5	CF/CM/CU48C	1050	35.4	26.4	14.00	11.75
TCHD36S41S3	TMLE080B12MP11	17.5	CF/CM/CU60C	1050	35.0	25.9	14.50	12.25
TCHD36S41S3	TMLE080B12MP11	17.5	CF/CM50C	1225	34.6	28.3	14.00	11.75
TCHD36S41S3	TMLE080B12MP11	17.5	CF42B	1200	35.4	28.0	13.75	11.50
TCHD36S41S3	TMLE080C16MP11	21.0	CF/CM/CU42C	1100	35.6	27.4	13.75	11.25
TCHD36S41S3	TMLE080C16MP11	21.0	CF/CM/CU48C	1100	35.6	27.1	14.00	11.75
TCHD36S41S3	TMLE080C16MP11	21.0	CF/CM/CU48D	1100	35.6	27.1	14.00	11.50
TCHD36S41S3	TMLE080C16MP11	21.0	CF/CM/CU60C	1100	35.4	26.6	14.50	12.00
TCHD36S41S3	TMLE080C16MP11	21.0	CF/CM/CU60D	1125	35.8	27.9	14.50	12.00
TCHD36S41S3	TMLE080C16MP11	21.0	CF/CM42D	1125	35.8	27.7	13.75	11.50
TCHD36S41S3	TMLE080C16MP11	21.0	CF/CM50C	1075	34.6	26.6	14.25	11.75
TCHD36S41S3	TMLE080C16MP11	21.0	CF/CM61D	1275	35.0	29.2	14.50	12.25
TCHD36S41S3	TMLE080C16MP11	21.0	CF/CM64D	1100	35.8	27.7	15.00	12.50
TCHD36S41S3	TMLE080C20MP11	21.0	CF/CM/CU42C	1250	35.8	29.1	13.75	11.25
TCHD36S41S3	TMLE080C20MP11	21.0	CF/CM/CU48C	1250	35.8	29.1	14.00	11.75
TCHD36S41S3	TMLE080C20MP11	21.0	CF/CM/CU48D	1275	35.8	29.6	14.00	11.50
TCHD36S41S3	TMLE080C20MP11	21.0	CF/CM/CU60C	1250	35.8	28.5	14.50	12.00
TCHD36S41S3	TMLE080C20MP11	21.0	CF/CM/CU60D	1275	35.8	29.8	14.50	12.00
TCHD36S41S3	TMLE080C20MP11	21.0	CF/CM42D	1275	35.8	29.6	13.75	11.50
TCHD36S41S3	TMLE080C20MP11	21.0	CF/CM50C	1225	35.0	28.6	14.25	12.00
TCHD36S41S3	TMLE080C20MP11	21.0	CF/CM61D	1250	35.0	28.9	14.75	12.25

**COOLING CAPACITY - With High Efficiency Motor Furnaces<sup>1</sup> (Continued)**

UNIT MODEL	FURNACE		COIL MODEL <sup>2</sup>	COOLING				
	MODEL	WIDTH		RATED CFM	Net MBH		SEER	EER
					TOTAL	SENS.		
TCHD36S41S3	TMLE080C20MP11	21.0	CF/CM64D	1250	35.8	29.7	15.00	12.50
TCHD36S41S3	TMLE100B12MP11	17.5	CF/CM/CU42C	1100	35.4	27.2	13.75	11.25
TCHD36S41S3	TMLE100B12MP11	17.5	CF/CM/CU48C	1100	35.6	27.2	14.00	11.50
TCHD36S41S3	TMLE100B12MP11	17.5	CF/CM/CU60C	1100	35.2	26.5	14.50	12.25
TCHD36S41S3	TMLE100B12MP11	17.5	CF/CM50C	1075	34.4	26.5	14.25	12.00
TCHD36S41S3	TMLE100B12MP11	17.5	CF42B	1050	35.2	26.7	13.75	11.50
TCHD36S41S3	TMLE100C16MP11	21.0	CF/CM/CU42C	1125	35.6	27.5	13.75	11.25
TCHD36S41S3	TMLE100C16MP11	21.0	CF/CM/CU48C	1125	35.8	27.6	14.00	11.75
TCHD36S41S3	TMLE100C16MP11	21.0	CF/CM/CU48D	1125	35.8	27.6	14.00	11.75
TCHD36S41S3	TMLE100C16MP11	21.0	CF/CM/CU60C	1125	35.4	27.0	14.50	12.25
TCHD36S41S3	TMLE100C16MP11	21.0	CF/CM/CU60D	1125	35.8	27.9	14.50	12.25
TCHD36S41S3	TMLE100C16MP11	21.0	CF/CM42D	1125	35.6	27.5	13.75	11.25
TCHD36S41S3	TMLE100C16MP11	21.0	CF/CM50C	1100	34.6	27.0	14.25	11.75
TCHD36S41S3	TMLE100C16MP11	21.0	CF/CM61D	1100	34.6	27.0	14.75	12.25
TCHD36S41S3	TMLE100C16MP11	21.0	CF/CM64D	1125	35.8	28.0	15.00	12.50
TCHD36S41S3	TMLE100C20MP11	21.0	CF/CM/CU42C	1250	35.8	29.1	13.75	11.25
TCHD36S41S3	TMLE100C20MP11	21.0	CF/CM/CU48C	1250	35.8	29.1	14.00	11.75
TCHD36S41S3	TMLE100C20MP11	21.0	CF/CM/CU48D	1275	35.8	29.6	14.00	11.50
TCHD36S41S3	TMLE100C20MP11	21.0	CF/CM/CU60C	1250	35.8	28.5	14.50	12.00
TCHD36S41S3	TMLE100C20MP11	21.0	CF/CM/CU60D	1275	35.8	29.8	14.50	12.00
TCHD36S41S3	TMLE100C20MP11	21.0	CF/CM42D	1275	35.8	29.6	13.75	11.50
TCHD36S41S3	TMLE100C20MP11	21.0	CF/CM50C	1225	35.0	28.6	14.25	12.00
TCHD36S41S3	TMLE100C20MP11	21.0	CF/CM61D	1225	35.0	28.6	14.75	12.50
TCHD36S41S3	TMLE100C20MP11	21.0	CF/CM64D	1250	35.8	29.7	15.00	12.50
TCHD36S41S3	TMLE120C16MP11	21.0	CF/CM/CU42C	1125	35.6	27.5	13.75	11.25
TCHD36S41S3	TMLE120C16MP11	21.0	CF/CM/CU48C	1125	35.8	27.6	14.00	11.75
TCHD36S41S3	TMLE120C16MP11	21.0	CF/CM/CU48D	1125	35.8	27.6	14.00	11.75
TCHD36S41S3	TMLE120C16MP11	21.0	CF/CM/CU60C	1125	35.4	27.0	14.50	12.00
TCHD36S41S3	TMLE120C16MP11	21.0	CF/CM/CU60D	1125	35.8	27.9	14.50	12.25
TCHD36S41S3	TMLE120C16MP11	21.0	CF/CM42D	1125	35.6	27.5	13.75	11.50
TCHD36S41S3	TMLE120C16MP11	21.0	CF/CM50C	1100	34.6	27.0	14.25	11.75
TCHD36S41S3	TMLE120C16MP11	21.0	CF/CM61D	1300	35.0	29.5	14.50	12.25
TCHD36S41S3	TMLE120C16MP11	21.0	CF/CM64D	1125	35.8	28.0	15.00	12.50
TCHD36S41S3	TMLE120C20MP11	21.0	CF/CM/CU42C	1275	35.8	29.6	13.75	11.50
TCHD36S41S3	TMLE120C20MP11	21.0	CF/CM/CU48C	1300	35.8	29.8	14.00	11.50
TCHD36S41S3	TMLE120C20MP11	21.0	CF/CM/CU48D	1300	35.8	29.8	14.00	11.75
TCHD36S41S3	TMLE120C20MP11	21.0	CF/CM/CU60C	1275	35.8	28.9	14.50	12.25
TCHD36S41S3	TMLE120C20MP11	21.0	CF/CM/CU60D	1325	35.8	29.5	14.50	12.00
TCHD36S41S3	TMLE120C20MP11	21.0	CF/CM42D	1300	35.8	29.9	13.75	11.25
TCHD36S41S3	TMLE120C20MP11	21.0	CF/CM50C	1250	35.0	28.9	14.25	11.75
TCHD36S41S3	TMLE120C20MP11	21.0	CF/CM61D	1275	35.0	29.1	14.75	12.50
TCHD36S41S3	TMLE120C20MP11	21.0	CF/CM64D	1300	35.8	30.5	15.00	12.50
TCHD36S41S3	TMLE130D20MP11	24.5	CF/CM/CU48D	1300	35.8	29.8	14.00	11.75
TCHD36S41S3	TMLE130D20MP11	24.5	CF/CM/CU60D	1325	35.8	30.5	14.50	12.00
TCHD36S41S3	TMLE130D20MP11	24.5	CF/CM42D	1300	35.8	29.9	13.75	11.25
TCHD36S41S3	TMLE130D20MP11	24.5	CF/CM61D	1275	35.2	29.3	14.75	12.50
TCHD36S41S3	TMLE130D20MP11	24.5	CF/CM64D	1300	35.8	30.5	15.00	12.50
TCHD36S41S3	TMLV060A12MP12C	14.5	CF42B	1050	35.0	26.5	13.75	11.50
TCHD36S41S3	TMLV080B12MP12C	17.5	CF/CM/CU42C	1100	35.2	27.1	13.75	11.50
TCHD36S41S3	TMLV080B12MP12C	17.5	CF/CM/CU48C	1100	35.2	26.8	14.00	12.00
TCHD36S41S3	TMLV080B12MP12C	17.5	CF/CM/CU60C	1100	35.0	26.4	14.25	12.00
TCHD36S41S3	TMLV080B12MP12C	17.5	CF42B	1100	35.0	27.0	13.75	11.50
TCHD36S41S3	TMLV080C16MP12C	21.0	CF/CM/CU42C	1050	35.4	26.8	13.75	11.50



**COOLING CAPACITY - With High Efficiency Motor Furnaces<sup>1</sup> (Continued)**

UNIT MODEL	FURNACE		COIL MODEL <sup>2</sup>	RATED CFM	COOLING			
	MODEL	WIDTH			Net MBH		SEER	EER
					TOTAL	SENS.		
TCHD36S41S3	TMLV080C16MP12C	21.0	CF/CM/CU48C	1050	35.6	26.6	14.00	11.75
TCHD36S41S3	TMLV080C16MP12C	21.0	CF/CM/CU48D	1050	35.6	26.6	14.00	11.75
TCHD36S41S3	TMLV080C16MP12C	21.0	CF/CM/CU60C	1050	35.2	26.0	14.50	12.25
TCHD36S41S3	TMLV080C16MP12C	21.0	CF/CM42D	1050	35.4	26.8	13.75	11.25
TCHD36S41S3	TMLV080C16MP12C	21.0	CF/CM50C	1150	34.8	27.6	14.25	12.00
TCHD36S41S3	TMLV080C16MP12C	21.0	CF/CM61D	1200	34.8	28.2	14.50	12.25
TCHD36S41S3	TMLV080C16MP12C	21.0	CF/CM64D	1150	35.8	28.4	15.00	12.75
TCHD36S41S3	TMLV100C16MP12C	21.0	CF/CM/CU42C	1050	35.4	26.8	13.75	11.50
TCHD36S41S3	TMLV100C16MP12C	21.0	CF/CM/CU48C	1050	35.6	26.6	14.00	11.75
TCHD36S41S3	TMLV100C16MP12C	21.0	CF/CM/CU48D	1050	35.6	26.6	14.00	11.75
TCHD36S41S3	TMLV100C16MP12C	21.0	CF/CM/CU60C	1050	35.2	26.0	14.50	12.25
TCHD36S41S3	TMLV100C16MP12C	21.0	CF/CM42D	1050	35.4	26.8	13.75	11.25
TCHD36S41S3	TMLV100C16MP12C	21.0	CF/CM50C	1150	34.8	27.6	14.25	12.00
TCHD36S41S3	TMLV100C16MP12C	21.0	CF/CM61D	1200	34.8	28.2	14.50	12.25
TCHD36S41S3	TMLV100C16MP12C	21.0	CF/CM64D	1150	35.8	28.4	15.00	12.75
TCHD36S41S3	TMLV100C20MP12C	21.0	CF/CM/CU42C	1225	35.8	28.7	13.75	11.25
TCHD36S41S3	TMLV100C20MP12C	21.0	CF/CM/CU48C	1225	35.8	28.9	14.00	11.75
TCHD36S41S3	TMLV100C20MP12C	21.0	CF/CM/CU48D	1225	35.8	28.9	14.00	11.50
TCHD36S41S3	TMLV100C20MP12C	21.0	CF/CM/CU60C	1325	35.8	29.4	14.50	12.25
TCHD36S41S3	TMLV100C20MP12C	21.0	CF/CM42D	1225	35.8	28.7	13.75	11.50
TCHD36S41S3	TMLV100C20MP12C	21.0	CF/CM50C	1225	35.0	28.6	14.25	11.75
TCHD36S41S3	TMLV100C20MP12C	21.0	CF/CM61D	1225	35.0	28.6	14.75	12.50
TCHD36S41S3	TMLV100C20MP12C	21.0	CF/CM64D	1375	35.8	31.3	15.00	12.75
TCHD36S41S3	TMLV120C20MP12C	21.0	CF/CM/CU42C	1225	35.8	28.7	13.75	11.25
TCHD36S41S3	TMLV120C20MP12C	21.0	CF/CM/CU48C	1225	35.8	28.9	14.00	11.75
TCHD36S41S3	TMLV120C20MP12C	21.0	CF/CM/CU48D	1225	35.8	28.9	14.00	11.50
TCHD36S41S3	TMLV120C20MP12C	21.0	CF/CM/CU60C	1325	35.8	29.4	14.50	12.25
TCHD36S41S3	TMLV120C20MP12C	21.0	CF/CM42D	1225	35.8	28.7	13.75	11.50
TCHD36S41S3	TMLV120C20MP12C	21.0	CF/CM50C	1225	35.0	28.6	14.25	11.75
TCHD36S41S3	TMLV120C20MP12C	21.0	CF/CM61D	1225	35.0	28.6	14.75	12.50
TCHD36S41S3	TMLV120C20MP12C	21.0	CF/CM64D	1375	35.8	31.3	15.00	12.75
TCHD36S41S3	TMLX060A12MP11	14.5	CF42B	1125	35.2	27.2	13.75	11.75
TCHD36S41S3	TMLX080B12MP11	17.5	CF/CM/CU42C	1200	35.6	28.2	13.75	11.50
TCHD36S41S3	TMLX080B12MP11	17.5	CF/CM/CU48C	1200	35.8	28.3	14.00	11.50
TCHD36S41S3	TMLX080B12MP11	17.5	CF/CM/CU60C	1200	35.4	27.7	14.50	12.25
TCHD36S41S3	TMLX080B12MP11	17.5	CF/CM50C	1175	34.6	27.7	14.25	12.00
TCHD36S41S3	TMLX080B12MP11	17.5	CF42B	1150	35.4	27.7	13.75	11.75
TCHD36S41S3	TMLX080C16MP11	21.0	CF/CM/CU42C	1150	35.6	27.9	13.75	11.50
TCHD36S41S3	TMLX080C16MP11	21.0	CF/CM/CU48C	1150	35.8	27.8	14.00	11.50
TCHD36S41S3	TMLX080C16MP11	21.0	CF/CM/CU48D	1150	35.8	27.8	14.00	11.50
TCHD36S41S3	TMLX080C16MP11	21.0	CF/CM/CU60C	1150	35.4	27.2	14.50	12.25
TCHD36S41S3	TMLX080C16MP11	21.0	CF/CM42D	1175	35.8	28.1	13.75	11.25
TCHD36S41S3	TMLX080C16MP11	21.0	CF/CM50C	1125	34.8	27.4	14.25	12.00
TCHD36S41S3	TMLX080C16MP11	21.0	CF/CM61D	1125	34.8	27.4	14.75	12.50
TCHD36S41S3	TMLX080C16MP11	21.0	CF/CM64D	1375	35.8	31.2	15.00	12.50
TCHD36S41S3	TMLX100C16MP11	21.0	CF/CM/CU42C	1150	35.6	27.9	13.75	11.50
TCHD36S41S3	TMLX100C16MP11	21.0	CF/CM/CU48C	1150	35.8	27.8	14.00	11.50
TCHD36S41S3	TMLX100C16MP11	21.0	CF/CM/CU48D	1150	35.8	27.8	14.00	11.50
TCHD36S41S3	TMLX100C16MP11	21.0	CF/CM/CU60C	1150	35.4	27.2	14.50	12.25
TCHD36S41S3	TMLX100C16MP11	21.0	CF/CM42D	1175	35.8	28.1	13.75	11.25
TCHD36S41S3	TMLX100C16MP11	21.0	CF/CM50C	1125	34.8	27.4	14.25	12.00
TCHD36S41S3	TMLX100C16MP11	21.0	CF/CM61D	1125	34.8	27.4	14.75	12.50
TCHD36S41S3	TMLX100C16MP11	21.0	CF/CM64D	1375	35.8	31.2	15.00	12.50

**COOLING CAPACITY - With High Efficiency Motor Furnaces<sup>1</sup> (Continued)**

UNIT MODEL	FURNACE		COIL MODEL <sup>2</sup>	COOLING				
	MODEL	WIDTH		RATED CFM	Net MBH		SEER	EER
					TOTAL	SENS.		
TCHD36S41S3	TMLX100C20MP11	21.0	CF/CM/CU42C	1225	35.8	28.7	13.75	11.50
TCHD36S41S3	TMLX100C20MP11	21.0	CF/CM/CU48C	1225	35.8	28.9	14.00	11.50
TCHD36S41S3	TMLX100C20MP11	21.0	CF/CM/CU48D	1250	35.8	29.1	14.00	11.50
TCHD36S41S3	TMLX100C20MP11	21.0	CF/CM/CU60C	1225	35.8	28.2	14.50	12.00
TCHD36S41S3	TMLX100C20MP11	21.0	CF/CM42D	1250	35.8	29.3	13.75	11.25
TCHD36S41S3	TMLX100C20MP11	21.0	CF/CM50C	1200	35.0	28.3	14.25	11.75
TCHD36S41S3	TMLX100C20MP11	21.0	CF/CM61D	1200	35.0	28.3	14.75	12.25
TCHD36S41S3	TMLX100C20MP11	21.0	CF/CM64D	1400	35.8	31.6	15.00	12.75
TCHD36S41S3	TMLX120C20MP11	21.0	CF/CM/CU42C	1225	35.8	28.7	13.75	11.50
TCHD36S41S3	TMLX120C20MP11	21.0	CF/CM/CU48C	1225	35.8	28.9	14.00	11.50
TCHD36S41S3	TMLX120C20MP11	21.0	CF/CM/CU48D	1250	35.8	29.1	14.00	11.50
TCHD36S41S3	TMLX120C20MP11	21.0	CF/CM/CU60C	1225	35.8	28.2	14.50	12.00
TCHD36S41S3	TMLX120C20MP11	21.0	CF/CM42D	1250	35.8	29.3	13.75	11.25
TCHD36S41S3	TMLX120C20MP11	21.0	CF/CM50C	1200	35.0	28.3	14.25	11.75
TCHD36S41S3	TMLX120C20MP11	21.0	CF/CM61D	1200	35.0	28.3	14.75	12.25
TCHD36S41S3	TMLX120C20MP11	21.0	CF/CM64D	1400	35.8	31.6	15.00	12.75
TCHD36S41S3	TP9C060B12MP13C	17.5	CF/CM/CU42C	1100	35.2	27.1	13.75	11.50
TCHD36S41S3	TP9C060B12MP13C	17.5	CF/CM/CU48C	1100	35.2	26.8	14.00	11.75
TCHD36S41S3	TP9C060B12MP13C	17.5	CF/CM/CU60C	1100	35.0	26.3	14.25	12.00
TCHD36S41S3	TP9C060B12MP13C	17.5	CF/CM50C	1100	34.2	26.6	14.00	11.75
TCHD36S41S3	TP9C060B12MP13C	17.5	CF42B	1100	35.0	26.9	13.75	11.75
TCHD36S41S3	TP9C080B12MP13C	17.5	CF/CM/CU42C	1150	35.4	27.7	13.75	11.50
TCHD36S41S3	TP9C080B12MP13C	17.5	CF/CM/CU48C	1250	35.8	28.8	14.00	11.75
TCHD36S41S3	TP9C080B12MP13C	17.5	CF/CM/CU60C	1250	35.4	28.2	14.25	12.00
TCHD36S41S3	TP9C080B12MP13C	17.5	CF/CM50C	1175	34.6	27.7	14.00	11.75
TCHD36S41S3	TP9C080B12MP13C	17.5	CF42B	1175	35.4	27.8	13.75	11.50
TCHD36S41S3	TP9C080C16MP13C	21.0	CF/CM/CU42C	1125	35.6	27.5	13.75	11.50
TCHD36S41S3	TP9C080C16MP13C	21.0	CF/CM/CU48C	1300	35.8	29.5	14.00	11.75
TCHD36S41S3	TP9C080C16MP13C	21.0	CF/CM/CU48D	1300	35.8	29.5	14.00	11.75
TCHD36S41S3	TP9C080C16MP13C	21.0	CF/CM/CU60C	1300	35.8	28.7	14.50	12.25
TCHD36S41S3	TP9C080C16MP13C	21.0	CF/CM42D	1225	35.8	28.6	13.75	11.50
TCHD36S41S3	TP9C080C16MP13C	21.0	CF/CM50C	1225	34.6	28.3	14.00	12.00
TCHD36S41S3	TP9C080C16MP13C	21.0	CF/CM61D	1300	34.8	29.3	14.00	11.75
TCHD36S41S3	TP9C080C16MP13C	21.0	CF/CM64D	1375	35.8	31.0	14.50	12.25
TCHD36S41S3	TP9C100C16MP13C	21.0	CF/CM/CU42C	1225	35.8	28.7	13.75	11.50
TCHD36S41S3	TP9C100C16MP13C	21.0	CF/CM/CU48C	1275	35.8	29.4	14.00	11.75
TCHD36S41S3	TP9C100C16MP13C	21.0	CF/CM/CU48D	1300	35.8	29.6	14.00	11.75
TCHD36S41S3	TP9C100C16MP13C	21.0	CF/CM/CU60C	1325	35.8	29.4	14.50	12.25
TCHD36S41S3	TP9C100C16MP13C	21.0	CF/CM42D	1250	35.8	29.1	13.75	11.50
TCHD36S41S3	TP9C100C16MP13C	21.0	CF/CM50C	1275	35.0	29.2	14.25	12.00
TCHD36S41S3	TP9C100C16MP13C	21.0	CF/CM61D	1275	35.0	29.2	14.50	12.25
TCHD36S41S3	TP9C100C16MP13C	21.0	CF/CM64D	1300	35.8	30.3	15.00	12.50
TCHD36S41S3	TP9C100C20MP13C	21.0	CF/CM/CU42C	1225	35.8	28.7	13.75	11.50
TCHD36S41S3	TP9C100C20MP13C	21.0	CF/CM/CU48C	1275	35.8	29.4	14.00	11.50
TCHD36S41S3	TP9C100C20MP13C	21.0	CF/CM/CU48D	1275	35.8	29.4	14.00	11.75
TCHD36S41S3	TP9C100C20MP13C	21.0	CF/CM/CU60C	1350	35.8	29.6	14.50	12.25
TCHD36S41S3	TP9C100C20MP13C	21.0	CF/CM42D	1225	35.8	28.7	13.75	11.50
TCHD36S41S3	TP9C100C20MP13C	21.0	CF/CM50C	1275	34.8	29.0	14.25	12.00
TCHD36S41S3	TP9C100C20MP13C	21.0	CF/CM61D	1275	35.0	29.2	14.25	12.00
TCHD36S41S3	TP9C100C20MP13C	21.0	CF/CM64D	1350	35.8	30.8	15.00	12.75
TCHD36S41S3	TP9C120D20MP13C	24.5	CF/CM/CU48D	1300	35.8	29.8	14.00	11.75
TCHD36S41S3	TP9C120D20MP13C	24.5	CF/CM42D	1250	35.8	29.3	13.75	11.50
TCHD36S41S3	TP9C120D20MP13C	24.5	CF/CM61D	1300	35.0	29.5	14.50	12.25

**COOLING CAPACITY - With High Efficiency Motor Furnaces<sup>1</sup> (Continued)**

UNIT MODEL	FURNACE		COIL MODEL <sup>2</sup>	RATED CFM	COOLING			
	MODEL	WIDTH			Net MBH		SEER	EER
					TOTAL	SENS.		
TCHD36S41S3	TP9C120D20MP13C	24.5	CF/CM64D	1400	35.8	31.6	15.00	12.75
TCHD36S41S3	TPLC060A12MP13C	14.5	CF42B	1050	35.0	26.5	13.75	11.50
TCHD36S41S3	TPLC080B12MP13C	17.5	CF/CM/CU42C	1100	35.2	27.1	13.75	11.50
TCHD36S41S3	TPLC080B12MP13C	17.5	CF/CM/CU48C	1100	35.2	26.8	14.00	12.00
TCHD36S41S3	TPLC080B12MP13C	17.5	CF/CM/CU60C	1100	35.0	26.4	14.25	12.00
TCHD36S41S3	TPLC080B12MP13C	17.5	CF42B	1100	35.0	27.0	13.75	11.50
TCHD36S41S3	TPLC080C16MP13C	21.0	CF/CM/CU42C	1050	35.4	26.8	13.75	11.50
TCHD36S41S3	TPLC080C16MP13C	21.0	CF/CM/CU48C	1050	35.6	26.6	14.00	11.75
TCHD36S41S3	TPLC080C16MP13C	21.0	CF/CM/CU48D	1050	35.6	26.6	14.00	11.75
TCHD36S41S3	TPLC080C16MP13C	21.0	CF/CM/CU60C	1050	35.2	26.0	14.50	12.25
TCHD36S41S3	TPLC080C16MP13C	21.0	CF/CM42D	1050	35.4	26.8	13.75	11.25
TCHD36S41S3	TPLC080C16MP13C	21.0	CF/CM50C	1150	34.8	27.6	14.25	12.00
TCHD36S41S3	TPLC080C16MP13C	21.0	CF/CM61D	1200	34.8	28.2	14.50	12.25
TCHD36S41S3	TPLC080C16MP13C	21.0	CF/CM64D	1150	35.8	28.4	15.00	12.75
TCHD36S41S3	TPLC100C16MP13C	21.0	CF/CM/CU42C	1050	35.4	26.8	13.75	11.50
TCHD36S41S3	TPLC100C16MP13C	21.0	CF/CM/CU48C	1050	35.6	26.6	14.00	11.75
TCHD36S41S3	TPLC100C16MP13C	21.0	CF/CM/CU48D	1050	35.6	26.6	14.00	11.75
TCHD36S41S3	TPLC100C16MP13C	21.0	CF/CM/CU60C	1050	35.2	26.0	14.50	12.25
TCHD36S41S3	TPLC100C16MP13C	21.0	CF/CM42D	1050	35.4	26.8	13.75	11.25
TCHD36S41S3	TPLC100C16MP13C	21.0	CF/CM50C	1150	34.8	27.6	14.25	12.00
TCHD36S41S3	TPLC100C16MP13C	21.0	CF/CM61D	1200	34.8	28.2	14.50	12.25
TCHD36S41S3	TPLC100C16MP13C	21.0	CF/CM64D	1150	35.8	28.4	15.00	12.75
TCHD36S41S3	TPLC100C20MP13C	21.0	CF/CM/CU42C	1225	35.8	28.7	13.75	11.25
TCHD36S41S3	TPLC100C20MP13C	21.0	CF/CM/CU48C	1225	35.8	28.9	14.00	11.75
TCHD36S41S3	TPLC100C20MP13C	21.0	CF/CM/CU48D	1225	35.8	28.9	14.00	11.50
TCHD36S41S3	TPLC100C20MP13C	21.0	CF/CM/CU60C	1325	35.8	29.4	14.50	12.25
TCHD36S41S3	TPLC100C20MP13C	21.0	CF/CM42D	1225	35.8	28.7	13.75	11.50
TCHD36S41S3	TPLC100C20MP13C	21.0	CF/CM50C	1225	35.0	28.6	14.25	11.75
TCHD36S41S3	TPLC100C20MP13C	21.0	CF/CM61D	1225	35.0	28.6	14.75	12.50
TCHD36S41S3	TPLC100C20MP13C	21.0	CF/CM64D	1375	35.8	31.3	15.00	12.75
TCHD36S41S3	TPLC120C20MP13C	21.0	CF/CM/CU42C	1225	35.8	28.7	13.75	11.25
TCHD36S41S3	TPLC120C20MP13C	21.0	CF/CM/CU48C	1225	35.8	28.9	14.00	11.75
TCHD36S41S3	TPLC120C20MP13C	21.0	CF/CM/CU48D	1225	35.8	28.9	14.00	11.50
TCHD36S41S3	TPLC120C20MP13C	21.0	CF/CM/CU60C	1325	35.8	29.4	14.50	12.25
TCHD36S41S3	TPLC120C20MP13C	21.0	CF/CM42D	1225	35.8	28.7	13.75	11.50
TCHD36S41S3	TPLC120C20MP13C	21.0	CF/CM50C	1225	35.0	28.6	14.25	11.75
TCHD36S41S3	TPLC120C20MP13C	21.0	CF/CM61D	1225	35.0	28.6	14.75	12.50
TCHD36S41S3	TPLC120C20MP13C	21.0	CF/CM64D	1375	35.8	31.3	15.00	12.75
TCHD36S41S3	YP9C060B12MP13C	17.5	CF/CM/CU42C	1100	35.2	27.1	13.75	11.50
TCHD36S41S3	YP9C060B12MP13C	17.5	CF/CM/CU48C	1100	35.2	26.8	14.00	11.75
TCHD36S41S3	YP9C060B12MP13C	17.5	CF/CM/CU60C	1100	35.0	26.3	14.25	12.00
TCHD36S41S3	YP9C060B12MP13C	17.5	CF/CM50C	1100	34.2	26.6	14.00	11.75
TCHD36S41S3	YP9C060B12MP13C	17.5	CF42B	1100	35.0	26.9	13.75	11.75
TCHD36S41S3	YP9C080B12MP13C	17.5	CF/CM/CU42C	1150	35.4	27.7	13.75	11.50
TCHD36S41S3	YP9C080B12MP13C	17.5	CF/CM/CU48C	1250	35.8	28.8	14.00	11.75
TCHD36S41S3	YP9C080B12MP13C	17.5	CF/CM/CU60C	1250	35.4	28.2	14.25	12.00
TCHD36S41S3	YP9C080B12MP13C	17.5	CF/CM50C	1175	34.6	27.7	14.00	11.75
TCHD36S41S3	YP9C080B12MP13C	17.5	CF42B	1175	35.4	27.8	13.75	11.50
TCHD36S41S3	YP9C080C16MP13C	21.0	CF/CM/CU42C	1125	35.6	27.5	13.75	11.50
TCHD36S41S3	YP9C080C16MP13C	21.0	CF/CM/CU48C	1300	35.8	29.5	14.00	11.75
TCHD36S41S3	YP9C080C16MP13C	21.0	CF/CM/CU48D	1300	35.8	29.5	14.00	11.75
TCHD36S41S3	YP9C080C16MP13C	21.0	CF/CM/CU60C	1300	35.8	28.7	14.50	12.25
TCHD36S41S3	YP9C080C16MP13C	21.0	CF/CM42D	1225	35.8	28.6	13.75	11.50

**COOLING CAPACITY - With High Efficiency Motor Furnaces<sup>1</sup> (Continued)**

UNIT MODEL	FURNACE		COIL MODEL <sup>2</sup>	COOLING				
	MODEL	WIDTH		RATED CFM	Net MBH		SEER	EER
					TOTAL	SENS.		
TCHD36S41S3	YP9C080C16MP13C	21.0	CF/CM50C	1225	34.6	28.3	14.00	12.00
TCHD36S41S3	YP9C080C16MP13C	21.0	CF/CM61D	1300	34.8	29.3	14.00	11.75
TCHD36S41S3	YP9C080C16MP13C	21.0	CF/CM64D	1375	35.8	31.0	14.50	12.25
TCHD36S41S3	YP9C100C16MP13C	21.0	CF/CM/CU42C	1225	35.8	28.7	13.75	11.50
TCHD36S41S3	YP9C100C16MP13C	21.0	CF/CM/CU48C	1275	35.8	29.4	14.00	11.75
TCHD36S41S3	YP9C100C16MP13C	21.0	CF/CM/CU48D	1300	35.8	29.6	14.00	11.75
TCHD36S41S3	YP9C100C16MP13C	21.0	CF/CM/CU60C	1325	35.8	29.4	14.50	12.25
TCHD36S41S3	YP9C100C16MP13C	21.0	CF/CM42D	1250	35.8	29.1	13.75	11.50
TCHD36S41S3	YP9C100C16MP13C	21.0	CF/CM50C	1275	35.0	29.2	14.25	12.00
TCHD36S41S3	YP9C100C16MP13C	21.0	CF/CM61D	1275	35.0	29.2	14.50	12.25
TCHD36S41S3	YP9C100C16MP13C	21.0	CF/CM64D	1300	35.8	30.3	15.00	12.50
TCHD36S41S3	YP9C100C20MP13C	21.0	CF/CM/CU42C	1225	35.8	28.7	13.75	11.50
TCHD36S41S3	YP9C100C20MP13C	21.0	CF/CM/CU48C	1275	35.8	29.4	14.00	11.50
TCHD36S41S3	YP9C100C20MP13C	21.0	CF/CM/CU48D	1275	35.8	29.4	14.00	11.75
TCHD36S41S3	YP9C100C20MP13C	21.0	CF/CM/CU60C	1350	35.8	29.6	14.50	12.25
TCHD36S41S3	YP9C100C20MP13C	21.0	CF/CM42D	1225	35.8	28.7	13.75	11.50
TCHD36S41S3	YP9C100C20MP13C	21.0	CF/CM50C	1275	34.8	29.0	14.25	12.00
TCHD36S41S3	YP9C100C20MP13C	21.0	CF/CM61D	1275	35.0	29.2	14.25	12.00
TCHD36S41S3	YP9C100C20MP13C	21.0	CF/CM64D	1350	35.8	30.8	15.00	12.75
TCHD36S41S3	YP9C120D20MP13C	24.5	CF/CM/CU48D	1300	35.8	29.8	14.00	11.75
TCHD36S41S3	YP9C120D20MP13C	24.5	CF/CM42D	1250	35.8	29.3	13.75	11.50
TCHD36S41S3	YP9C120D20MP13C	24.5	CF/CM61D	1300	35.0	29.5	14.50	12.25
TCHD36S41S3	YP9C120D20MP13C	24.5	CF/CM64D	1400	35.8	31.6	15.00	12.75
TCHD36S41S3	YPLC060A12MP13C	14.5	CF42B	1050	35.0	26.5	13.75	11.50
TCHD36S41S3	YPLC080B12MP13C	17.5	CF/CM/CU42C	1100	35.2	27.1	13.75	11.50
TCHD36S41S3	YPLC080B12MP13C	17.5	CF/CM/CU48C	1100	35.2	26.8	14.00	12.00
TCHD36S41S3	YPLC080B12MP13C	17.5	CF/CM/CU60C	1100	35.0	26.4	14.25	12.00
TCHD36S41S3	YPLC080B12MP13C	17.5	CF42B	1100	35.0	27.0	13.75	11.50
TCHD36S41S3	YPLC080C16MP13C	21.0	CF/CM/CU42C	1050	35.4	26.8	13.75	11.50
TCHD36S41S3	YPLC080C16MP13C	21.0	CF/CM/CU48C	1050	35.6	26.6	14.00	11.75
TCHD36S41S3	YPLC080C16MP13C	21.0	CF/CM/CU48D	1050	35.6	26.6	14.00	11.75
TCHD36S41S3	YPLC080C16MP13C	21.0	CF/CM/CU60C	1050	35.2	26.0	14.50	12.25
TCHD36S41S3	YPLC080C16MP13C	21.0	CF/CM42D	1050	35.4	26.8	13.75	11.25
TCHD36S41S3	YPLC080C16MP13C	21.0	CF/CM50C	1150	34.8	27.6	14.25	12.00
TCHD36S41S3	YPLC080C16MP13C	21.0	CF/CM61D	1200	34.8	28.2	14.50	12.25
TCHD36S41S3	YPLC080C16MP13C	21.0	CF/CM64D	1150	35.8	28.4	15.00	12.75
TCHD36S41S3	YPLC100C16MP13C	21.0	CF/CM/CU42C	1050	35.4	26.8	13.75	11.50
TCHD36S41S3	YPLC100C16MP13C	21.0	CF/CM/CU48C	1050	35.6	26.6	14.00	11.75
TCHD36S41S3	YPLC100C16MP13C	21.0	CF/CM/CU48D	1050	35.6	26.6	14.00	11.75
TCHD36S41S3	YPLC100C16MP13C	21.0	CF/CM/CU60C	1050	35.2	26.0	14.50	12.25
TCHD36S41S3	YPLC100C16MP13C	21.0	CF/CM42D	1050	35.4	26.8	13.75	11.25
TCHD36S41S3	YPLC100C16MP13C	21.0	CF/CM50C	1150	34.8	27.6	14.25	12.00
TCHD36S41S3	YPLC100C16MP13C	21.0	CF/CM61D	1200	34.8	28.2	14.50	12.25
TCHD36S41S3	YPLC100C16MP13C	21.0	CF/CM64D	1150	35.8	28.4	15.00	12.75
TCHD36S41S3	YPLC100C20MP13C	21.0	CF/CM/CU42C	1225	35.8	28.7	13.75	11.25
TCHD36S41S3	YPLC100C20MP13C	21.0	CF/CM/CU48C	1225	35.8	28.9	14.00	11.75
TCHD36S41S3	YPLC100C20MP13C	21.0	CF/CM/CU48D	1225	35.8	28.9	14.00	11.50
TCHD36S41S3	YPLC100C20MP13C	21.0	CF/CM/CU60C	1325	35.8	29.4	14.50	12.25
TCHD36S41S3	YPLC100C20MP13C	21.0	CF/CM42D	1225	35.8	28.7	13.75	11.50
TCHD36S41S3	YPLC100C20MP13C	21.0	CF/CM50C	1225	35.0	28.6	14.25	11.75
TCHD36S41S3	YPLC100C20MP13C	21.0	CF/CM61D	1225	35.0	28.6	14.75	12.50
TCHD36S41S3	YPLC100C20MP13C	21.0	CF/CM64D	1375	35.8	31.3	15.00	12.75
TCHD36S41S3	YPLC120C20MP13C	21.0	CF/CM/CU42C	1225	35.8	28.7	13.75	11.25

**COOLING CAPACITY - With High Efficiency Motor Furnaces<sup>1</sup> (Continued)**

UNIT MODEL	FURNACE		COIL MODEL <sup>2</sup>	COOLING				
	MODEL	WIDTH		RATED CFM	Net MBH		SEER	EER
					TOTAL	SENS.		
TCHD36S41S3	YPLC120C20MP13C	21.0	CF/CM/CU48C	1225	35.8	28.9	14.00	11.75
TCHD36S41S3	YPLC120C20MP13C	21.0	CF/CM/CU48D	1225	35.8	28.9	14.00	11.50
TCHD36S41S3	YPLC120C20MP13C	21.0	CF/CM/CU60C	1325	35.8	29.4	14.50	12.25
TCHD36S41S3	YPLC120C20MP13C	21.0	CF/CM42D	1225	35.8	28.7	13.75	11.50
TCHD36S41S3	YPLC120C20MP13C	21.0	CF/CM50C	1225	35.0	28.6	14.25	11.75
TCHD36S41S3	YPLC120C20MP13C	21.0	CF/CM61D	1225	35.0	28.6	14.75	12.50
TCHD36S41S3	YPLC120C20MP13C	21.0	CF/CM64D	1375	35.8	31.3	15.00	12.75
TCHD36S41S3	T*(8,L)C*A12	14.5	FC/MC/PC32A	1045	32.6	23.7	13.45	11.70
TCHD36S41S3	T*(8,L)C*A12	14.5	FC/MC/PC37A	980	33.0	23.0	13.95	12.00
TCHD36S41S3	T*(8,L)C*A12	14.5	HD36	1190	33.2	23.2	13.40	11.70
TCHD36S41S3	T*(8,L)C*B12	17.5	FC/MC/PC35B	1220	33.4	23.4	13.55	11.75
TCHD36S41S3	T*(8,L)C*B12	17.5	FC/MC/PC43B	1210	34.2	25.2	13.95	12.00
TCHD36S41S3	T*(8,L)C*B12	17.5	HD36	1220	33.2	23.2	13.70	12.00
TCHD36S41S3	T*(8,L)C*B12	17.5	HD48	1210	34.6	25.2	14.50	12.45
TCHD36S41S3	T*(8,L)C*C16	21.0	FC/MC/PC35C	1235	33.6	23.6	14.20	12.30
TCHD36S41S3	T*(8,L)C*C16	21.0	FC/MC/PC43C	1205	34.4	25.4	14.60	12.50
TCHD36S41S3	T*(8,L)C*C16	21.0	FC/MC/PC48C	1210	35.0	26.0	15.10	13.00
TCHD36S41S3	T*(8,L)C*C16	21.0	HD36	1235	33.4	23.4	14.15	12.30
TCHD36S41S3	T*(8,L)C*C16	21.0	HD48	1210	34.8	25.4	15.00	13.00
TCHD36S41S3	T*(8,L)C*C16	21.0	UC48C	1210	33.6	24.8	14.55	12.45
TCHD36S41S3	T*(8,L)C*C20	21.0	FC/MC/PC35C	1170	33.8	23.8	14.50	12.55
TCHD36S41S3	T*(8,L)C*C20	21.0	FC/MC/PC43C	1190	34.6	25.4	14.80	12.50
TCHD36S41S3	T*(8,L)C*C20	21.0	FC/MC/PC48C	1155	35.2	26.0	15.35	13.10
TCHD36S41S3	T*(8,L)C*C20	21.0	HD36	1240	33.6	23.6	14.30	12.40
TCHD36S41S3	T*(8,L)C*C20	21.0	HD48	1155	34.8	25.4	15.20	13.05
TCHD36S41S3	T*(8,L)C*C20	21.0	UC48C	1155	33.6	24.8	14.75	12.60
TCHD36S41S3	T*(8,L)V*A12	14.5	FC/MC/PC37A	980	33.0	23.0	13.95	12.00
TCHD36S41S3	T*(8,L)V*B12	17.5	FC/MC/PC43B	1210	34.2	25.2	13.95	12.00
TCHD36S41S3	T*(8,L)V*B12	17.5	HD48	1210	34.6	25.2	14.50	12.45
TCHD36S41S3	T*(8,L)V*C16	21.0	FC/MC/PC43C	1205	34.4	25.4	14.60	12.50
TCHD36S41S3	T*(8,L)V*C16	21.0	FC/MC/PC48C	1210	35.0	26.0	15.10	13.00
TCHD36S41S3	T*(8,L)V*C16	21.0	HD48	1210	34.8	25.4	15.00	13.00
TCHD36S41S3	T*(8,L)V*C16	21.0	UC48C	1210	33.6	24.8	14.55	12.45
TCHD36S41S3	T*(8,L)V*C20	21.0	FC/MC/PC43C	1190	34.6	25.4	14.80	12.50
TCHD36S41S3	T*(8,L)V*C20	21.0	FC/MC/PC48C	1155	35.2	26.0	15.35	13.10
TCHD36S41S3	T*(8,L)V*C20	21.0	HD48	1155	34.8	25.4	15.20	13.05
TCHD36S41S3	T*(8,L)V*C20	21.0	UC48C	1155	33.6	24.8	14.75	12.60
TCHD36S41S3	T*9(C,V)*B12	17.5	FC/MC/PC35B	1190	33.4	24.6	13.65	11.85
TCHD36S41S3	T*9(C,V)*B12	17.5	FC/MC/PC43B	1200	34.2	25.2	14.00	12.10
TCHD36S41S3	T*9(C,V)*B12	17.5	HD36	1165	33.4	24.6	13.85	12.05
TCHD36S41S3	T*9(C,V)*B12	17.5	HD48	1150	34.4	25.2	14.25	12.35
TCHD36S41S3	T*9(C,V)*C16	21.0	FC/MC/PC35C	1215	33.6	24.8	14.05	12.15
TCHD36S41S3	T*9(C,V)*C16	21.0	FC/MC/PC43C	1240	34.2	25.2	14.20	12.25
TCHD36S41S3	T*9(C,V)*C16	21.0	FC/MC/PC48C	1195	35.0	25.8	14.85	12.80
TCHD36S41S3	T*9(C,V)*C16	21.0	HD36	1185	33.4	24.6	14.20	12.35
TCHD36S41S3	T*9(C,V)*C16	21.0	HD48	1195	34.6	25.2	14.70	12.70
TCHD36S41S3	T*9(C,V)*C16	21.0	UC48C	1195	33.4	24.6	14.25	12.25
TCHD36S41S3	T*9(C,V)*C20	21.0	FC/MC/PC35C	1275	34.2	25.7	13.80	12.00
TCHD36S41S3	T*9(C,V)*C20	21.0	FC/MC/PC43C	1200	34.4	25.4	14.65	12.60
TCHD36S41S3	T*9(C,V)*C20	21.0	FC/MC/PC48C	1315	35.2	26.8	14.55	12.55
TCHD36S41S3	T*9(C,V)*C20	21.0	HD36	1265	33.8	25.0	13.85	12.05
TCHD36S41S3	T*9(C,V)*C20	21.0	HD48	1300	34.8	26.2	14.35	12.40
TCHD36S41S3	T*9(C,V)*C20	21.0	UC48C	1265	33.8	25.4	14.00	12.00



**COOLING CAPACITY - With High Efficiency Motor Furnaces<sup>1</sup> (Continued)**

UNIT MODEL	FURNACE		COIL MODEL <sup>2</sup>	COOLING				
	MODEL	WIDTH		RATED CFM	Net MBH		SEER	EER
					TOTAL	SENS.		
TCHD36S41S3	T*9(C,V)*D20	24.5	FC/MC/PC48D	1240	35.2	26.2	15.00	13.00
TCHD36S41S3	T*9(C,V)*D20	24.5	HD48	1225	34.8	25.6	15.00	12.85
TCHD36S41S3	T*9(C,V)*D20	24.5	UC48D	1240	33.4	24.6	14.35	12.30
TCHD36S41S3	TM8X060A12MP11	14.5	FC/MC/PC37A	1125	33.6	24.3	13.95	11.90
TCHD36S41S3	TM8X080B12MP11	17.5	FC/MC/PC35B	1150	33.2	23.9	13.75	11.50
TCHD36S41S3	TM8X080B12MP11	17.5	FC/MC/PC43B	1175	33.6	24.3	14.00	11.95
TCHD36S41S3	TM8X080C16MP11	21.0	FC/MC/PC35C	1125	33.6	24.1	14.25	12.00
TCHD36S41S3	TM8X080C16MP11	21.0	FC/MC/PC43C	1150	33.8	24.5	14.75	12.50
TCHD36S41S3	TM8X080C16MP11	21.0	FC/MC/PC48C	1150	34.0	24.9	14.85	12.60
TCHD36S41S3	TM8X080C16MP11	21.0	FC/MC/PC48D	1175	34.0	24.9	14.50	12.25
TCHD36S41S3	TM8X080C16MP11	21.0	UC48C	1150	33.8	24.9	14.25	12.00
TCHD36S41S3	TM8X080C16MP11	21.0	UC48D	1175	33.8	24.9	14.25	12.25
TCHD36S41S3	TM8X100C16MP11	21.0	FC/MC/PC35C	1125	33.6	24.1	14.25	12.00
TCHD36S41S3	TM8X100C16MP11	21.0	FC/MC/PC43C	1150	33.8	24.5	14.75	12.50
TCHD36S41S3	TM8X100C16MP11	21.0	FC/MC/PC48C	1150	34.0	24.9	14.85	12.60
TCHD36S41S3	TM8X100C16MP11	21.0	FC/MC/PC48D	1175	34.0	24.9	14.50	12.25
TCHD36S41S3	TM8X100C16MP11	21.0	UC48C	1150	33.8	24.9	14.25	12.00
TCHD36S41S3	TM8X100C16MP11	21.0	UC48D	1175	33.8	24.9	14.25	12.25
TCHD36S41S3	TM8X100C20MP11	21.0	FC/MC/PC35C	1200	33.6	24.9	14.00	12.00
TCHD36S41S3	TM8X100C20MP11	21.0	FC/MC/PC43C	1200	34.4	25.3	14.65	12.50
TCHD36S41S3	TM8X100C20MP11	21.0	FC/MC/PC48C	1200	34.6	25.7	14.85	12.65
TCHD36S41S3	TM8X100C20MP11	21.0	FC/MC/PC48D	1200	34.6	25.7	14.50	12.25
TCHD36S41S3	TM8X100C20MP11	21.0	UC48C	1200	33.6	24.9	14.00	12.00
TCHD36S41S3	TM8X100C20MP11	21.0	UC48D	1200	33.6	24.9	14.00	12.00
TCHD36S41S3	TM8X120C20MP11	21.0	FC/MC/PC35C	1200	33.6	24.9	14.00	12.00
TCHD36S41S3	TM8X120C20MP11	21.0	FC/MC/PC43C	1200	34.4	25.3	14.65	12.50
TCHD36S41S3	TM8X120C20MP11	21.0	FC/MC/PC48C	1200	34.6	25.7	14.85	12.65
TCHD36S41S3	TM8X120C20MP11	21.0	FC/MC/PC48D	1200	34.6	25.7	14.50	12.25
TCHD36S41S3	TM8X120C20MP11	21.0	UC48C	1200	33.6	24.9	14.00	12.00
TCHD36S41S3	TM8X120C20MP11	21.0	UC48D	1200	33.6	24.9	14.00	12.00
TCHD36S41S3	TM9E060B12MP11	17.5	FC/MC/PC35B	1125	33.2	23.9	13.75	11.50
TCHD36S41S3	TM9E060B12MP11	17.5	FC/MC/PC43B	1125	33.6	24.3	14.00	11.95
TCHD36S41S3	TM9E080B12MP11	17.5	FC/MC/PC35B	1125	33.2	23.9	13.75	11.50
TCHD36S41S3	TM9E080B12MP11	17.5	FC/MC/PC43B	1125	33.6	24.3	14.00	11.95
TCHD36S41S3	TM9E080C16MP11	21.0	FC/MC/PC35C	1150	33.4	24.1	14.00	11.75
TCHD36S41S3	TM9E080C16MP11	21.0	FC/MC/PC43C	1175	33.8	24.5	14.25	12.25
TCHD36S41S3	TM9E080C16MP11	21.0	FC/MC/PC48C	1150	34.0	24.7	14.50	12.35
TCHD36S41S3	TM9E080C16MP11	21.0	FC/MC/PC48D	1175	34.0	24.7	14.25	12.00
TCHD36S41S3	TM9E080C16MP11	21.0	UC48C	1150	33.6	24.9	13.75	12.00
TCHD36S41S3	TM9E080C16MP11	21.0	UC48D	1175	33.6	24.9	13.75	12.00
TCHD36S41S3	TM9E100C16MP11	21.0	FC/MC/PC35C	1150	33.4	24.1	14.00	11.75
TCHD36S41S3	TM9E100C16MP11	21.0	FC/MC/PC43C	1175	33.8	24.5	14.25	12.25
TCHD36S41S3	TM9E100C16MP11	21.0	FC/MC/PC48C	1150	34.0	24.7	14.50	12.35
TCHD36S41S3	TM9E100C16MP11	21.0	FC/MC/PC48D	1175	34.0	24.7	14.25	12.00
TCHD36S41S3	TM9E100C16MP11	21.0	UC48C	1150	33.6	24.9	13.75	12.00
TCHD36S41S3	TM9E100C16MP11	21.0	UC48D	1175	33.6	24.9	13.75	12.00
TCHD36S41S3	TM9E100C20MP11	21.0	FC/MC/PC35C	1150	33.4	24.1	14.00	12.00
TCHD36S41S3	TM9E100C20MP11	21.0	FC/MC/PC43C	1150	33.8	24.5	14.55	12.25
TCHD36S41S3	TM9E100C20MP11	21.0	FC/MC/PC48C	1150	34.0	24.7	14.55	12.40
TCHD36S41S3	TM9E100C20MP11	21.0	FC/MC/PC48D	1175	34.0	24.9	14.50	12.25
TCHD36S41S3	TM9E100C20MP11	21.0	UC48C	1150	33.6	24.9	14.00	12.00
TCHD36S41S3	TM9E100C20MP11	21.0	UC48D	1175	33.6	24.9	14.00	12.00
TCHD36S41S3	TM9E120D20MP11	24.5	FC/MC/PC48D	1175	34.0	24.9	14.75	12.50

COOLING CAPACITY - With High Efficiency Motor Furnaces<sup>1</sup> (Continued)

UNIT MODEL	FURNACE		COIL MODEL <sup>2</sup>	COOLING				
	MODEL	WIDTH		RATED CFM	Net MBH		SEER	EER
					TOTAL	SENS.		
TCHD36S41S3	TM9E120D20MP11	24.5	UC48D	1175	33.8	24.9	14.00	12.00
TCHD36S41S3	TM9X060B12MP11	17.5	FC/MC/PC35B	1125	33.2	23.9	13.75	11.50
TCHD36S41S3	TM9X060B12MP11	17.5	FC/MC/PC43B	1125	33.6	24.3	14.00	11.95
TCHD36S41S3	TM9X080B12MP11	17.5	FC/MC/PC35B	1125	33.2	23.9	13.75	11.50
TCHD36S41S3	TM9X080B12MP11	17.5	FC/MC/PC43B	1125	33.6	24.3	14.00	11.95
TCHD36S41S3	TM9X080C16MP11	21.0	FC/MC/PC35C	1150	33.4	24.1	14.00	11.75
TCHD36S41S3	TM9X080C16MP11	21.0	FC/MC/PC43C	1175	33.8	24.5	14.25	12.25
TCHD36S41S3	TM9X080C16MP11	21.0	FC/MC/PC48C	1150	34.0	24.7	14.50	12.35
TCHD36S41S3	TM9X080C16MP11	21.0	FC/MC/PC48D	1175	34.0	24.7	14.25	12.00
TCHD36S41S3	TM9X080C16MP11	21.0	UC48C	1150	33.6	24.9	13.75	12.00
TCHD36S41S3	TM9X080C16MP11	21.0	UC48D	1175	33.6	24.9	13.75	12.00
TCHD36S41S3	TM9X100C16MP11	21.0	FC/MC/PC35C	1150	33.4	24.1	14.00	11.75
TCHD36S41S3	TM9X100C16MP11	21.0	FC/MC/PC43C	1175	33.8	24.5	14.25	12.25
TCHD36S41S3	TM9X100C16MP11	21.0	FC/MC/PC48C	1150	34.0	24.7	14.50	12.35
TCHD36S41S3	TM9X100C16MP11	21.0	FC/MC/PC48D	1175	34.0	24.7	14.25	12.00
TCHD36S41S3	TM9X100C16MP11	21.0	UC48C	1150	33.6	24.9	13.75	12.00
TCHD36S41S3	TM9X100C16MP11	21.0	UC48D	1175	33.6	24.9	13.75	12.00
TCHD36S41S3	TM9X100C20MP11	21.0	FC/MC/PC35C	1150	33.4	24.1	14.00	12.00
TCHD36S41S3	TM9X100C20MP11	21.0	FC/MC/PC43C	1150	33.8	24.5	14.55	12.25
TCHD36S41S3	TM9X100C20MP11	21.0	FC/MC/PC48C	1150	34.0	24.7	14.55	12.40
TCHD36S41S3	TM9X100C20MP11	21.0	FC/MC/PC48D	1175	34.0	24.9	14.50	12.25
TCHD36S41S3	TM9X100C20MP11	21.0	UC48C	1150	33.6	24.9	14.00	12.00
TCHD36S41S3	TM9X100C20MP11	21.0	UC48D	1175	33.6	24.9	14.00	12.00
TCHD36S41S3	TM9X120D20MP11	24.5	FC/MC/PC48D	1175	34.0	24.9	14.75	12.50
TCHD36S41S3	TM9X120D20MP11	24.5	UC48D	1175	33.8	24.9	14.00	12.00
TCHD36S41S3	TMLX060A12MP11	14.5	FC/MC/PC37A	1125	33.6	24.3	13.95	11.90
TCHD36S41S3	TMLX080B12MP11	17.5	FC/MC/PC35B	1150	33.2	23.9	13.75	11.50
TCHD36S41S3	TMLX080B12MP11	17.5	FC/MC/PC43B	1175	33.6	24.3	14.00	11.95
TCHD36S41S3	TMLX080C16MP11	21.0	FC/MC/PC35C	1125	33.6	24.1	14.25	12.00
TCHD36S41S3	TMLX080C16MP11	21.0	FC/MC/PC43C	1150	33.8	24.5	14.75	12.50
TCHD36S41S3	TMLX080C16MP11	21.0	FC/MC/PC48C	1150	34.0	24.9	14.85	12.60
TCHD36S41S3	TMLX080C16MP11	21.0	FC/MC/PC48D	1175	34.0	24.9	14.50	12.25
TCHD36S41S3	TMLX080C16MP11	21.0	UC48C	1150	33.8	24.9	14.25	12.00
TCHD36S41S3	TMLX080C16MP11	21.0	UC48D	1175	33.8	24.9	14.25	12.25
TCHD36S41S3	TMLX100C16MP11	21.0	FC/MC/PC35C	1125	33.6	24.1	14.25	12.00
TCHD36S41S3	TMLX100C16MP11	21.0	FC/MC/PC43C	1150	33.8	24.5	14.75	12.50
TCHD36S41S3	TMLX100C16MP11	21.0	FC/MC/PC48C	1150	34.0	24.9	14.85	12.60
TCHD36S41S3	TMLX100C16MP11	21.0	FC/MC/PC48D	1175	34.0	24.9	14.50	12.25
TCHD36S41S3	TMLX100C16MP11	21.0	UC48C	1150	33.8	24.9	14.25	12.00
TCHD36S41S3	TMLX100C16MP11	21.0	UC48D	1175	33.8	24.9	14.25	12.25
TCHD36S41S3	TMLX100C20MP11	21.0	FC/MC/PC35C	1200	33.6	24.9	14.00	12.00
TCHD36S41S3	TMLX100C20MP11	21.0	FC/MC/PC43C	1200	34.4	25.3	14.65	12.50
TCHD36S41S3	TMLX100C20MP11	21.0	FC/MC/PC48C	1200	34.6	25.7	14.85	12.65
TCHD36S41S3	TMLX100C20MP11	21.0	FC/MC/PC48D	1200	34.6	25.7	14.50	12.25
TCHD36S41S3	TMLX100C20MP11	21.0	UC48C	1200	33.6	24.9	14.00	12.00
TCHD36S41S3	TMLX100C20MP11	21.0	UC48D	1200	33.6	24.9	14.00	12.00
TCHD36S41S3	TMLX120C20MP11	21.0	FC/MC/PC35C	1200	33.6	24.9	14.00	12.00
TCHD36S41S3	TMLX120C20MP11	21.0	FC/MC/PC43C	1200	34.4	25.3	14.65	12.50
TCHD36S41S3	TMLX120C20MP11	21.0	FC/MC/PC48C	1200	34.6	25.7	14.85	12.65
TCHD36S41S3	TMLX120C20MP11	21.0	FC/MC/PC48D	1200	34.6	25.7	14.50	12.25
TCHD36S41S3	TMLX120C20MP11	21.0	UC48C	1200	33.6	24.9	14.00	12.00
TCHD36S41S3	TMLX120C20MP11	21.0	UC48D	1200	33.6	24.9	14.00	12.00
TCHD36S41S3	Y*(8,L)C*A12	14.5	FC/MC/PC37A	980	33.0	23.0	13.95	12.00

**COOLING CAPACITY - With High Efficiency Motor Furnaces<sup>1</sup> (Continued)**

UNIT MODEL	FURNACE		COIL MODEL <sup>2</sup>	COOLING				
	MODEL	WIDTH		RATED CFM	Net MBH		SEER	EER
					TOTAL	SENS.		
TCHD36S41S3	Y*(8,L)C*B12	17.5	FC/MC/PC43B	1210	34.2	25.2	13.95	12.00
TCHD36S41S3	Y*(8,L)C*B12	17.5	HD48	1210	34.6	25.2	14.50	12.45
TCHD36S41S3	Y*(8,L)C*C16	21.0	FC/MC/PC43C	1205	34.4	25.4	14.60	12.50
TCHD36S41S3	Y*(8,L)C*C16	21.0	FC/MC/PC48C	1210	35.0	26.0	15.10	13.00
TCHD36S41S3	Y*(8,L)C*C16	21.0	HD48	1210	34.8	25.4	15.00	13.00
TCHD36S41S3	Y*(8,L)C*C16	21.0	UC48C	1210	33.6	24.8	14.55	12.45
TCHD36S41S3	Y*(8,L)C*C20	21.0	FC/MC/PC43C	1190	34.6	25.4	14.80	12.50
TCHD36S41S3	Y*(8,L)C*C20	21.0	FC/MC/PC48C	1155	35.2	26.0	15.35	13.10
TCHD36S41S3	Y*(8,L)C*C20	21.0	HD48	1155	34.8	25.4	15.20	13.05
TCHD36S41S3	Y*(8,L)C*C20	21.0	UC48C	1155	33.6	24.8	14.75	12.60
TCHD36S41S3	Y*9C*B12	17.5	FC/MC/PC43B	1200	34.2	25.2	14.00	12.10
TCHD36S41S3	Y*9C*B12	17.5	HD48	1150	34.4	25.2	14.25	12.35
TCHD36S41S3	Y*9C*C16	21.0	FC/MC/PC43C	1240	34.2	25.2	14.20	12.25
TCHD36S41S3	Y*9C*C16	21.0	FC/MC/PC48C	1195	35.0	25.8	14.85	12.80
TCHD36S41S3	Y*9C*C16	21.0	HD48	1195	34.6	25.2	14.70	12.70
TCHD36S41S3	Y*9C*C16	21.0	UC48C	1195	33.4	24.6	14.25	12.25
TCHD36S41S3	Y*9C*C20	21.0	FC/MC/PC43C	1200	34.4	25.4	14.65	12.60
TCHD36S41S3	Y*9C*C20	21.0	FC/MC/PC48C	1315	35.2	26.8	14.55	12.55
TCHD36S41S3	Y*9C*C20	21.0	HD48	1300	34.8	26.2	14.35	12.40
TCHD36S41S3	Y*9C*C20	21.0	UC48C	1265	33.8	25.4	14.00	12.00
TCHD36S41S3	Y*9C*D20	24.5	FC/MC/PC48D	1240	35.2	26.2	15.00	13.00
TCHD36S41S3	Y*9C*D20	24.5	HD48	1225	34.8	25.6	15.00	12.85
TCHD36S41S3	Y*9C*D20	24.5	UC48D	1240	33.4	24.6	14.35	12.30
TCHD48S41S3	TM8E080C16MP11	21.0	CF/CM/CU60C	1575	48.0	37.2	13.50	11.00
TCHD48S41S3	TM8E080C16MP11	21.0	CF/CM/CU60D	1600	48.0	37.4	13.50	11.00
TCHD48S41S3	TM8E080C16MP11	21.0	CF/CM64D	1575	48.0	38.5	13.75	11.25
TCHD48S41S3	TM8E080C20MP11	21.0	CF/CM/CU48D	1475	48.0	36.9	14.25	11.50
TCHD48S41S3	TM8E080C20MP11	21.0	CF/CM/CU60C	1550	48.0	37.0	13.75	11.25
TCHD48S41S3	TM8E080C20MP11	21.0	CF/CM/CU60D	1575	48.0	38.4	14.00	11.50
TCHD48S41S3	TM8E080C20MP11	21.0	CF/CM64D	1575	48.0	38.9	14.25	11.50
TCHD48S41S3	TM8E100C16MP11	21.0	CF/CM/CU60C	1575	48.0	37.2	13.50	11.00
TCHD48S41S3	TM8E100C16MP11	21.0	CF/CM/CU60D	1600	48.0	37.4	13.50	11.00
TCHD48S41S3	TM8E100C16MP11	21.0	CF/CM64D	1575	48.0	38.5	13.75	11.25
TCHD48S41S3	TM8E100C20MP11	21.0	CF/CM/CU48D	1450	48.0	36.6	14.25	11.50
TCHD48S41S3	TM8E100C20MP11	21.0	CF/CM/CU60C	1500	48.0	36.4	13.75	11.25
TCHD48S41S3	TM8E100C20MP11	21.0	CF/CM/CU60D	1450	48.0	37.1	14.25	11.75
TCHD48S41S3	TM8E100C20MP11	21.0	CF/CM64D	1525	48.0	38.1	14.25	11.50
TCHD48S41S3	TM8E120C16MP11	21.0	CF/CM/CU60C	1575	48.0	37.2	13.50	11.00
TCHD48S41S3	TM8E120C16MP11	21.0	CF/CM/CU60D	1600	48.0	38.6	13.75	11.25
TCHD48S41S3	TM8E120C16MP11	21.0	CF/CM64D	1575	48.0	38.5	14.00	11.25
TCHD48S41S3	TM8E120C20MP11	21.0	CF/CM/CU48D	1525	48.0	37.2	14.00	11.50
TCHD48S41S3	TM8E120C20MP11	21.0	CF/CM/CU60C	1425	48.0	35.7	14.00	11.50
TCHD48S41S3	TM8E120C20MP11	21.0	CF/CM/CU60D	1450	48.0	37.1	14.25	11.75
TCHD48S41S3	TM8E120C20MP11	21.0	CF/CM64D	1525	48.0	38.1	14.25	11.75
TCHD48S41S3	TM8E130D20MP11	24.5	CF/CM/CU48D	1425	48.0	36.3	14.25	11.50
TCHD48S41S3	TM8E130D20MP11	24.5	CF/CM/CU60D	1450	48.0	35.9	14.25	11.50
TCHD48S41S3	TM8E130D20MP11	24.5	CF/CM64D	1425	48.0	37.1	14.50	11.75
TCHD48S41S3	TM8V080C16MP12C	21.0	CF/CM/CU48D	1425	48.0	35.9	13.75	11.25
TCHD48S41S3	TM8V080C16MP12C	21.0	CF/CM/CU60C	1425	48.0	35.7	13.75	11.25
TCHD48S41S3	TM8V080C16MP12C	21.0	CF/CM/CU60D	1425	48.0	35.7	13.75	11.25
TCHD48S41S3	TM8V080C16MP12C	21.0	CF/CM64D	1425	48.0	36.6	14.00	11.50
TCHD48S41S3	TM8V100C16MP12C	21.0	CF/CM/CU48D	1425	48.0	35.9	13.75	11.25
TCHD48S41S3	TM8V100C16MP12C	21.0	CF/CM/CU60C	1425	48.0	35.7	13.75	11.25



**COOLING CAPACITY - With High Efficiency Motor Furnaces<sup>1</sup> (Continued)**

UNIT MODEL	FURNACE		COIL MODEL <sup>2</sup>	RATED CFM	COOLING			
	MODEL	WIDTH			Net MBH		SEER	EER
					TOTAL	SENS.		
TCHD48S41S3	TM8V100C16MP12C	21.0	CF/CM/CU60D	1425	48.0	35.7	13.75	11.25
TCHD48S41S3	TM8V100C16MP12C	21.0	CF/CM64D	1425	48.0	36.6	14.00	11.50
TCHD48S41S3	TM8V100C20MP12C	21.0	CF/CM/CU48D	1475	48.0	36.4	14.00	11.50
TCHD48S41S3	TM8V100C20MP12C	21.0	CF/CM/CU60C	1550	48.0	37.0	13.75	11.25
TCHD48S41S3	TM8V100C20MP12C	21.0	CF/CM64D	1550	48.0	38.1	14.25	11.50
TCHD48S41S3	TM8V120C20MP12C	21.0	CF/CM/CU48D	1475	48.0	36.4	14.00	11.50
TCHD48S41S3	TM8V120C20MP12C	21.0	CF/CM/CU60C	1550	48.0	37.0	13.75	11.25
TCHD48S41S3	TM8V120C20MP12C	21.0	CF/CM64D	1550	48.0	38.1	14.25	11.50
TCHD48S41S3	TM8X080C16MP11	21.0	CF/CM/CU60C	1525	48.0	36.3	13.50	11.00
TCHD48S41S3	TM8X080C16MP11	21.0	CF/CM64D	1525	48.0	38.2	13.75	11.25
TCHD48S41S3	TM8X100C16MP11	21.0	CF/CM/CU60C	1525	48.0	36.3	13.50	11.00
TCHD48S41S3	TM8X100C16MP11	21.0	CF/CM64D	1525	48.0	38.2	13.75	11.25
TCHD48S41S3	TM8X100C20MP11	21.0	CF/CM/CU48D	1400	48.0	35.6	14.25	11.50
TCHD48S41S3	TM8X100C20MP11	21.0	CF/CM/CU60C	1550	48.0	37.0	13.75	11.25
TCHD48S41S3	TM8X100C20MP11	21.0	CF/CM64D	1550	48.0	38.1	14.25	11.50
TCHD48S41S3	TM8X120C20MP11	21.0	CF/CM/CU48D	1400	48.0	35.6	14.25	11.50
TCHD48S41S3	TM8X120C20MP11	21.0	CF/CM/CU60C	1550	48.0	37.0	13.75	11.25
TCHD48S41S3	TM8X120C20MP11	21.0	CF/CM64D	1550	48.0	38.1	14.25	11.50
TCHD48S41S3	TM8Y080C16MP11	21.0	CF/CM/CU60C	1525	48.0	36.3	13.50	11.00
TCHD48S41S3	TM8Y080C16MP11	21.0	CF/CM64D	1525	48.0	38.2	13.75	11.25
TCHD48S41S3	TM8Y100C16MP11	21.0	CF/CM/CU60C	1525	48.0	36.3	13.50	11.00
TCHD48S41S3	TM8Y100C16MP11	21.0	CF/CM64D	1525	48.0	38.2	13.75	11.25
TCHD48S41S3	TM8Y100C20MP11	21.0	CF/CM/CU48D	1400	48.0	35.6	14.25	11.50
TCHD48S41S3	TM8Y100C20MP11	21.0	CF/CM/CU60C	1550	48.0	37.0	13.75	11.25
TCHD48S41S3	TM8Y100C20MP11	21.0	CF/CM64D	1550	48.0	38.1	14.25	11.50
TCHD48S41S3	TM8Y120C20MP11	21.0	CF/CM/CU48D	1400	48.0	35.6	14.25	11.50
TCHD48S41S3	TM8Y120C20MP11	21.0	CF/CM/CU60C	1550	48.0	37.0	13.75	11.25
TCHD48S41S3	TM8Y120C20MP11	21.0	CF/CM64D	1550	48.0	38.1	14.25	11.50
TCHD48S41S3	TM9E080C16MP11	21.0	CF/CM/CU48D	1400	48.0	35.2	13.50	11.00
TCHD48S41S3	TM9E080C16MP11	21.0	CF/CM/CU60D	1400	48.0	35.1	13.50	11.00
TCHD48S41S3	TM9E080C16MP11	21.0	CF/CM64D	1400	48.0	36.6	13.75	11.25
TCHD48S41S3	TM9E080C20MP12	21.0	CF/CM/CU48D	1525	48.0	37.2	14.00	11.50
TCHD48S41S3	TM9E080C20MP12	21.0	CF/CM/CU60C	1500	48.0	36.4	14.00	11.25
TCHD48S41S3	TM9E080C20MP12	21.0	CF/CM64D	1500	48.0	37.8	14.25	11.50
TCHD48S41S3	TM9E100C16MP11	21.0	CF/CM/CU48D	1400	48.0	35.7	13.75	11.25
TCHD48S41S3	TM9E100C16MP11	21.0	CF/CM/CU60C	1400	48.0	35.0	13.50	11.00
TCHD48S41S3	TM9E100C16MP11	21.0	CF/CM64D	1400	48.0	36.5	14.00	11.50
TCHD48S41S3	TM9E100C16MP12	21.0	CF/CM/CU60D	1600	48.0	37.4	13.25	11.00
TCHD48S41S3	TM9E100C20MP11	21.0	CF/CM/CU60D	1550	48.0	37.0	13.50	11.00
TCHD48S41S3	TM9E100C20MP12	21.0	CF/CM/CU48D	1425	48.0	36.3	14.25	11.50
TCHD48S41S3	TM9E100C20MP12	21.0	CF/CM/CU60C	1400	48.0	35.4	14.00	11.50
TCHD48S41S3	TM9E100C20MP12	21.0	CF/CM64D	1525	48.0	38.1	14.25	11.75
TCHD48S41S3	TM9E120D20MP11	24.5	CF/CM/CU48D	1400	48.0	35.6	14.25	11.50
TCHD48S41S3	TM9E120D20MP11	24.5	CF/CM64D	1575	48.0	38.5	14.00	11.50
TCHD48S41S3	TM9E120D20MP12	24.5	CF/CM/CU48D	1450	48.0	36.6	14.00	11.50
TCHD48S41S3	TM9E120D20MP12	24.5	CF/CM64D	1600	48.0	38.5	14.00	11.25
TCHD48S41S3	TM9V080C16MP12C	21.0	CF/CM/CU48D	1525	48.0	36.8	13.25	11.00
TCHD48S41S3	TM9V080C16MP12C	21.0	CF/CM/CU60C	1475	48.0	35.7	13.25	11.00
TCHD48S41S3	TM9V080C16MP12C	21.0	CF/CM64D	1475	48.0	37.1	13.75	11.25
TCHD48S41S3	TM9V100C16MP12C	21.0	CF/CM/CU48D	1475	48.0	36.5	13.75	11.25
TCHD48S41S3	TM9V100C16MP12C	21.0	CF/CM/CU60C	1600	48.0	37.4	13.25	11.00
TCHD48S41S3	TM9V100C16MP12C	21.0	CF/CM/CU60D	1600	48.0	37.4	13.50	11.00
TCHD48S41S3	TM9V100C16MP12C	21.0	CF/CM64D	1475	48.0	37.6	14.00	11.50

**COOLING CAPACITY - With High Efficiency Motor Furnaces<sup>1</sup> (Continued)**

UNIT MODEL	FURNACE		COIL MODEL <sup>2</sup>	COOLING				
	MODEL	WIDTH		RATED CFM	Net MBH		SEER	EER
					TOTAL	SENS.		
TCHD48S41S3	TM9V100C20MP12C	21.0	CF/CM/CU48D	1475	48.0	36.5	13.75	11.25
TCHD48S41S3	TM9V100C20MP12C	21.0	CF/CM/CU60C	1600	48.0	37.4	13.50	11.00
TCHD48S41S3	TM9V100C20MP12C	21.0	CF/CM/CU60D	1575	48.0	37.1	13.50	11.00
TCHD48S41S3	TM9V100C20MP12C	21.0	CF/CM64D	1600	48.0	38.6	13.75	11.25
TCHD48S41S3	TM9V120D20MP12C	24.5	CF/CM/CU48D	1400	48.0	35.6	14.25	11.50
TCHD48S41S3	TM9V120D20MP12C	24.5	CF/CM64D	1575	48.0	38.9	14.25	11.50
TCHD48S41S3	TM9Y080C16MP11	21.0	CF/CM/CU48D	1400	48.0	35.2	13.50	11.00
TCHD48S41S3	TM9Y080C16MP11	21.0	CF/CM/CU60D	1400	48.0	35.1	13.50	11.00
TCHD48S41S3	TM9Y080C16MP11	21.0	CF/CM64D	1400	48.0	36.6	13.75	11.25
TCHD48S41S3	TM9Y100C16MP11	21.0	CF/CM/CU48D	1400	48.0	35.7	13.75	11.25
TCHD48S41S3	TM9Y100C16MP11	21.0	CF/CM/CU60C	1400	48.0	35.0	13.50	11.00
TCHD48S41S3	TM9Y100C16MP11	21.0	CF/CM64D	1400	48.0	36.5	14.00	11.50
TCHD48S41S3	TM9Y100C20MP11	21.0	CF/CM/CU60D	1550	48.0	37.0	13.50	11.00
TCHD48S41S3	TM9Y120D20MP11	24.5	CF/CM/CU48D	1400	48.0	35.6	14.25	11.50
TCHD48S41S3	TM9Y120D20MP11	24.5	CF/CM64D	1575	48.0	38.5	14.00	11.50
TCHD48S41S3	TMLE080C16MP11	21.0	CF/CM/CU60C	1575	48.0	37.2	13.50	11.00
TCHD48S41S3	TMLE080C16MP11	21.0	CF/CM/CU60D	1600	48.0	37.4	13.50	11.00
TCHD48S41S3	TMLE080C16MP11	21.0	CF/CM64D	1575	48.0	38.5	13.75	11.25
TCHD48S41S3	TMLE080C20MP11	21.0	CF/CM/CU48D	1475	48.0	36.9	14.25	11.50
TCHD48S41S3	TMLE080C20MP11	21.0	CF/CM/CU60C	1550	48.0	37.0	13.75	11.25
TCHD48S41S3	TMLE080C20MP11	21.0	CF/CM/CU60D	1575	48.0	38.4	14.00	11.50
TCHD48S41S3	TMLE080C20MP11	21.0	CF/CM64D	1575	48.0	38.9	14.25	11.50
TCHD48S41S3	TMLE100C16MP11	21.0	CF/CM/CU60C	1575	48.0	37.2	13.50	11.00
TCHD48S41S3	TMLE100C16MP11	21.0	CF/CM/CU60D	1600	48.0	37.4	13.50	11.00
TCHD48S41S3	TMLE100C16MP11	21.0	CF/CM64D	1575	48.0	38.5	13.75	11.25
TCHD48S41S3	TMLE100C20MP11	21.0	CF/CM/CU48D	1450	48.0	36.6	14.25	11.50
TCHD48S41S3	TMLE100C20MP11	21.0	CF/CM/CU60C	1500	48.0	36.4	13.75	11.25
TCHD48S41S3	TMLE100C20MP11	21.0	CF/CM/CU60D	1450	48.0	37.1	14.25	11.75
TCHD48S41S3	TMLE100C20MP11	21.0	CF/CM64D	1525	48.0	38.1	14.25	11.50
TCHD48S41S3	TMLE120C16MP11	21.0	CF/CM/CU60C	1575	48.0	37.2	13.50	11.00
TCHD48S41S3	TMLE120C16MP11	21.0	CF/CM/CU60D	1600	48.0	38.6	13.75	11.25
TCHD48S41S3	TMLE120C16MP11	21.0	CF/CM64D	1575	48.0	38.5	14.00	11.25
TCHD48S41S3	TMLE120C20MP11	21.0	CF/CM/CU48D	1525	48.0	37.2	14.00	11.50
TCHD48S41S3	TMLE120C20MP11	21.0	CF/CM/CU60C	1425	48.0	35.7	14.00	11.50
TCHD48S41S3	TMLE120C20MP11	21.0	CF/CM/CU60D	1450	48.0	37.1	14.25	11.75
TCHD48S41S3	TMLE120C20MP11	21.0	CF/CM64D	1525	48.0	38.1	14.25	11.75
TCHD48S41S3	TMLE130D20MP11	24.5	CF/CM/CU48D	1425	48.0	36.3	14.25	11.50
TCHD48S41S3	TMLE130D20MP11	24.5	CF/CM/CU60D	1450	48.0	35.9	14.25	11.50
TCHD48S41S3	TMLE130D20MP11	24.5	CF/CM64D	1425	48.0	37.1	14.50	11.75
TCHD48S41S3	TMLV080C16MP12C	21.0	CF/CM/CU48D	1425	48.0	35.9	13.75	11.25
TCHD48S41S3	TMLV080C16MP12C	21.0	CF/CM/CU60C	1425	48.0	35.7	13.75	11.25
TCHD48S41S3	TMLV080C16MP12C	21.0	CF/CM/CU60D	1425	48.0	35.7	13.75	11.25
TCHD48S41S3	TMLV080C16MP12C	21.0	CF/CM64D	1425	48.0	36.6	14.00	11.50
TCHD48S41S3	TMLV100C16MP12C	21.0	CF/CM/CU48D	1425	48.0	35.9	13.75	11.25
TCHD48S41S3	TMLV100C16MP12C	21.0	CF/CM/CU60C	1425	48.0	35.7	13.75	11.25
TCHD48S41S3	TMLV100C16MP12C	21.0	CF/CM/CU60D	1425	48.0	35.7	13.75	11.25
TCHD48S41S3	TMLV100C16MP12C	21.0	CF/CM64D	1425	48.0	36.6	14.00	11.50
TCHD48S41S3	TMLV100C20MP12C	21.0	CF/CM/CU48D	1475	48.0	36.4	14.00	11.50
TCHD48S41S3	TMLV100C20MP12C	21.0	CF/CM/CU60C	1550	48.0	37.0	13.75	11.25
TCHD48S41S3	TMLV100C20MP12C	21.0	CF/CM64D	1550	48.0	38.1	14.25	11.50
TCHD48S41S3	TMLV120C20MP12C	21.0	CF/CM/CU48D	1475	48.0	36.4	14.00	11.50
TCHD48S41S3	TMLV120C20MP12C	21.0	CF/CM/CU60C	1550	48.0	37.0	13.75	11.25
TCHD48S41S3	TMLV120C20MP12C	21.0	CF/CM64D	1550	48.0	38.1	14.25	11.50

**COOLING CAPACITY - With High Efficiency Motor Furnaces<sup>1</sup> (Continued)**

UNIT MODEL	FURNACE		COIL MODEL <sup>2</sup>	RATED CFM	COOLING			
	MODEL	WIDTH			Net MBH		SEER	EER
					TOTAL	SENS.		
TCHD48S41S3	TMLX080C16MP11	21.0	CF/CM/CU60C	1525	48.0	36.3	13.50	11.00
TCHD48S41S3	TMLX080C16MP11	21.0	CF/CM64D	1525	48.0	38.2	13.75	11.25
TCHD48S41S3	TMLX100C16MP11	21.0	CF/CM/CU60C	1525	48.0	36.3	13.50	11.00
TCHD48S41S3	TMLX100C16MP11	21.0	CF/CM64D	1525	48.0	38.2	13.75	11.25
TCHD48S41S3	TMLX100C20MP11	21.0	CF/CM/CU48D	1400	48.0	35.6	14.25	11.50
TCHD48S41S3	TMLX100C20MP11	21.0	CF/CM/CU60C	1550	48.0	37.0	13.75	11.25
TCHD48S41S3	TMLX100C20MP11	21.0	CF/CM64D	1550	48.0	38.1	14.25	11.50
TCHD48S41S3	TMLX120C20MP11	21.0	CF/CM/CU48D	1400	48.0	35.6	14.25	11.50
TCHD48S41S3	TMLX120C20MP11	21.0	CF/CM/CU60C	1550	48.0	37.0	13.75	11.25
TCHD48S41S3	TMLX120C20MP11	21.0	CF/CM64D	1550	48.0	38.1	14.25	11.50
TCHD48S41S3	TP9C080C16MP13C	21.0	CF/CM/CU48D	1525	48.0	36.8	13.25	11.00
TCHD48S41S3	TP9C080C16MP13C	21.0	CF/CM/CU60C	1475	48.0	35.7	13.25	11.00
TCHD48S41S3	TP9C080C16MP13C	21.0	CF/CM64D	1475	48.0	37.1	13.75	11.25
TCHD48S41S3	TP9C100C16MP13C	21.0	CF/CM/CU48D	1475	48.0	36.5	13.75	11.25
TCHD48S41S3	TP9C100C16MP13C	21.0	CF/CM/CU60C	1600	48.0	37.4	13.25	11.00
TCHD48S41S3	TP9C100C16MP13C	21.0	CF/CM/CU60D	1600	48.0	37.4	13.50	11.00
TCHD48S41S3	TP9C100C16MP13C	21.0	CF/CM64D	1475	48.0	37.6	14.00	11.50
TCHD48S41S3	TP9C100C20MP13C	21.0	CF/CM/CU48D	1475	48.0	36.5	13.75	11.25
TCHD48S41S3	TP9C100C20MP13C	21.0	CF/CM/CU60C	1600	48.0	37.4	13.50	11.00
TCHD48S41S3	TP9C100C20MP13C	21.0	CF/CM/CU60D	1575	48.0	37.1	13.50	11.00
TCHD48S41S3	TP9C100C20MP13C	21.0	CF/CM64D	1600	48.0	38.6	13.75	11.25
TCHD48S41S3	TP9C120D20MP13C	24.5	CF/CM/CU48D	1400	48.0	35.6	14.25	11.50
TCHD48S41S3	TP9C120D20MP13C	24.5	CF/CM64D	1575	48.0	38.9	14.25	11.50
TCHD48S41S3	TPLC080C16MP13C	21.0	CF/CM/CU48D	1425	48.0	35.9	13.75	11.25
TCHD48S41S3	TPLC080C16MP13C	21.0	CF/CM/CU60C	1425	48.0	35.7	13.75	11.25
TCHD48S41S3	TPLC080C16MP13C	21.0	CF/CM/CU60D	1425	48.0	35.7	13.75	11.25
TCHD48S41S3	TPLC080C16MP13C	21.0	CF/CM64D	1425	48.0	36.6	14.00	11.50
TCHD48S41S3	TPLC100C16MP13C	21.0	CF/CM/CU48D	1425	48.0	35.9	13.75	11.25
TCHD48S41S3	TPLC100C16MP13C	21.0	CF/CM/CU60C	1425	48.0	35.7	13.75	11.25
TCHD48S41S3	TPLC100C16MP13C	21.0	CF/CM/CU60D	1425	48.0	35.7	13.75	11.25
TCHD48S41S3	TPLC100C16MP13C	21.0	CF/CM64D	1425	48.0	36.6	14.00	11.50
TCHD48S41S3	TPLC100C20MP13C	21.0	CF/CM/CU48D	1475	48.0	36.4	14.00	11.50
TCHD48S41S3	TPLC100C20MP13C	21.0	CF/CM/CU60C	1550	48.0	37.0	13.75	11.25
TCHD48S41S3	TPLC100C20MP13C	21.0	CF/CM64D	1550	48.0	38.1	14.25	11.50
TCHD48S41S3	TPLC120C20MP13C	21.0	CF/CM/CU48D	1475	48.0	36.4	14.00	11.50
TCHD48S41S3	TPLC120C20MP13C	21.0	CF/CM/CU60C	1550	48.0	37.0	13.75	11.25
TCHD48S41S3	TPLC120C20MP13C	21.0	CF/CM64D	1550	48.0	38.1	14.25	11.50
TCHD48S41S3	YP9C080C16MP13C	21.0	CF/CM/CU48D	1525	48.0	36.8	13.25	11.00
TCHD48S41S3	YP9C080C16MP13C	21.0	CF/CM/CU60C	1475	48.0	35.7	13.25	11.00
TCHD48S41S3	YP9C080C16MP13C	21.0	CF/CM64D	1475	48.0	37.1	13.75	11.25
TCHD48S41S3	YP9C100C16MP13C	21.0	CF/CM/CU48D	1475	48.0	36.5	13.75	11.25
TCHD48S41S3	YP9C100C16MP13C	21.0	CF/CM/CU60C	1600	48.0	37.4	13.25	11.00
TCHD48S41S3	YP9C100C16MP13C	21.0	CF/CM/CU60D	1600	48.0	37.4	13.50	11.00
TCHD48S41S3	YP9C100C16MP13C	21.0	CF/CM64D	1475	48.0	37.6	14.00	11.50
TCHD48S41S3	YP9C100C20MP13C	21.0	CF/CM/CU48D	1475	48.0	36.5	13.75	11.25
TCHD48S41S3	YP9C100C20MP13C	21.0	CF/CM/CU60C	1600	48.0	37.4	13.50	11.00
TCHD48S41S3	YP9C100C20MP13C	21.0	CF/CM/CU60D	1575	48.0	37.1	13.50	11.00
TCHD48S41S3	YP9C100C20MP13C	21.0	CF/CM64D	1600	48.0	38.6	13.75	11.25
TCHD48S41S3	YP9C120D20MP13C	24.5	CF/CM/CU48D	1400	48.0	35.6	14.25	11.50
TCHD48S41S3	YP9C120D20MP13C	24.5	CF/CM64D	1575	48.0	38.9	14.25	11.50
TCHD48S41S3	YPLC080C16MP13C	21.0	CF/CM/CU48D	1425	48.0	35.9	13.75	11.25
TCHD48S41S3	YPLC080C16MP13C	21.0	CF/CM/CU60C	1425	48.0	35.7	13.75	11.25
TCHD48S41S3	YPLC080C16MP13C	21.0	CF/CM/CU60D	1425	48.0	35.7	13.75	11.25

**COOLING CAPACITY - With High Efficiency Motor Furnaces<sup>1</sup> (Continued)**

UNIT MODEL	FURNACE		COIL MODEL <sup>2</sup>	COOLING				
	MODEL	WIDTH		RATED CFM	Net MBH		SEER	EER
					TOTAL	SENS.		
TCHD48S41S3	YPLC080C16MP13C	21.0	CF/CM64D	1425	48.0	36.6	14.00	11.50
TCHD48S41S3	YPLC100C16MP13C	21.0	CF/CM/CU48D	1425	48.0	35.9	13.75	11.25
TCHD48S41S3	YPLC100C16MP13C	21.0	CF/CM/CU60C	1425	48.0	35.7	13.75	11.25
TCHD48S41S3	YPLC100C16MP13C	21.0	CF/CM/CU60D	1425	48.0	35.7	13.75	11.25
TCHD48S41S3	YPLC100C16MP13C	21.0	CF/CM64D	1425	48.0	36.6	14.00	11.50
TCHD48S41S3	YPLC100C20MP13C	21.0	CF/CM/CU48D	1475	48.0	36.4	14.00	11.50
TCHD48S41S3	YPLC100C20MP13C	21.0	CF/CM/CU60C	1550	48.0	37.0	13.75	11.25
TCHD48S41S3	YPLC100C20MP13C	21.0	CF/CM64D	1550	48.0	38.1	14.25	11.50
TCHD48S41S3	YPLC120C20MP13C	21.0	CF/CM/CU48D	1475	48.0	36.4	14.00	11.50
TCHD48S41S3	YPLC120C20MP13C	21.0	CF/CM/CU60C	1550	48.0	37.0	13.75	11.25
TCHD48S41S3	YPLC120C20MP13C	21.0	CF/CM64D	1550	48.0	38.1	14.25	11.50
TCHD48S41S3	T*(8,L)C*C16	21.0	FC/MC/PC48C	1615	47.0	34.2	13.25	11.50
TCHD48S41S3	T*(8,L)C*C16	21.0	FC/PC60C	1625	46.5	33.7	13.25	11.50
TCHD48S41S3	T*(8,L)C*C16	21.0	FC64D	1635	49.0	35.8	14.00	12.25
TCHD48S41S3	T*(8,L)C*C16	21.0	HD48	1615	47.0	34.2	13.45	11.65
TCHD48S41S3	T*(8,L)C*C16	21.0	HD60	1625	47.5	34.4	13.70	11.85
TCHD48S41S3	T*(8,L)C*C16	21.0	UC48C	1615	45.5	33.2	13.10	11.35
TCHD48S41S3	T*(8,L)C*C16	21.0	UC60C	1625	46.0	32.8	13.30	11.50
TCHD48S41S3	T*(8,L)C*C20	21.0	FC/MC/PC48C	1640	47.0	34.0	13.45	11.65
TCHD48S41S3	T*(8,L)C*C20	21.0	FC/PC60C	1605	47.0	34.2	14.00	11.60
TCHD48S41S3	T*(8,L)C*C20	21.0	FC64D	1630	49.0	35.8	14.25	12.25
TCHD48S41S3	T*(8,L)C*C20	21.0	HD48	1640	47.0	34.2	13.45	11.65
TCHD48S41S3	T*(8,L)C*C20	21.0	HD60	1605	47.5	34.6	14.00	12.05
TCHD48S41S3	T*(8,L)C*C20	21.0	UC48C	1640	45.5	33.0	13.05	11.35
TCHD48S41S3	T*(8,L)C*C20	21.0	UC60C	1605	46.0	33.0	13.55	11.70
TCHD48S41S3	T*(8,L)V*C16	21.0	FC/MC/PC48C	1615	47.0	34.2	13.25	11.50
TCHD48S41S3	T*(8,L)V*C16	21.0	FC/PC60C	1625	46.5	33.7	13.25	11.50
TCHD48S41S3	T*(8,L)V*C16	21.0	FC64D	1635	49.0	35.8	14.00	12.25
TCHD48S41S3	T*(8,L)V*C16	21.0	HD60	1625	47.5	34.4	13.70	11.85
TCHD48S41S3	T*(8,L)V*C16	21.0	UC48C	1615	45.5	33.2	13.10	11.35
TCHD48S41S3	T*(8,L)V*C16	21.0	UC60C	1625	46.0	32.8	13.30	11.50
TCHD48S41S3	T*(8,L)V*C20	21.0	FC/MC/PC48C	1640	47.0	34.0	13.45	11.65
TCHD48S41S3	T*(8,L)V*C20	21.0	FC/PC60C	1605	47.0	34.2	14.00	11.60
TCHD48S41S3	T*(8,L)V*C20	21.0	FC64D	1630	49.0	35.8	14.25	12.25
TCHD48S41S3	T*(8,L)V*C20	21.0	HD60	1605	47.5	34.6	14.00	12.05
TCHD48S41S3	T*(8,L)V*C20	21.0	UC48C	1640	45.5	33.0	13.05	11.35
TCHD48S41S3	T*(8,L)V*C20	21.0	UC60C	1605	46.0	33.0	13.55	11.70
TCHD48S41S3	T*9(C,V)*C16	21.0	FC/MC/PC48C	1590	47.0	33.8	13.45	11.65
TCHD48S41S3	T*9(C,V)*C16	21.0	FC/PC60C	1590	47.0	34.4	13.40	11.65
TCHD48S41S3	T*9(C,V)*C16	21.0	FC64D	1590	49.0	35.6	14.00	12.00
TCHD48S41S3	T*9(C,V)*C16	21.0	HD48	1590	47.0	34.2	13.35	11.60
TCHD48S41S3	T*9(C,V)*C16	21.0	HD60	1590	47.0	34.2	13.50	11.65
TCHD48S41S3	T*9(C,V)*C16	21.0	UC48C	1590	45.5	33.0	13.00	11.30
TCHD48S41S3	T*9(C,V)*C16	21.0	UC60C	1590	45.5	32.8	13.05	11.30
TCHD48S41S3	T*9(C,V)*C20	21.0	FC/MC/PC48C	1655	47.5	34.4	13.50	11.70
TCHD48S41S3	T*9(C,V)*C20	21.0	FC/PC60C	1655	47.0	34.4	13.35	11.65
TCHD48S41S3	T*9(C,V)*C20	21.0	FC64D	1655	49.0	35.6	13.75	11.75
TCHD48S41S3	T*9(C,V)*C20	21.0	HD48	1655	47.0	34.2	13.35	11.60
TCHD48S41S3	T*9(C,V)*C20	21.0	HD60	1655	47.0	34.2	13.50	11.65
TCHD48S41S3	T*9(C,V)*C20	21.0	UC48C	1655	45.5	33.0	13.00	11.30
TCHD48S41S3	T*9(C,V)*C20	21.0	UC60C	1655	45.5	32.8	13.05	11.30
TCHD48S41S3	T*9(C,V)*D20	24.5	FC/MC/PC48D	1645	47.5	34.4	13.50	11.70
TCHD48S41S3	T*9(C,V)*D20	24.5	FC/MC/PC60D	1615	47.0	34.4	13.50	11.75

**COOLING CAPACITY - With High Efficiency Motor Furnaces<sup>1</sup> (Continued)**

UNIT MODEL	FURNACE		COIL MODEL <sup>2</sup>	RATED CFM	COOLING			
	MODEL	WIDTH			Net MBH		SEER	EER
					TOTAL	SENS.		
TCHD48S41S3	T*9(C,V)*D20	24.5	FC/MC62D	1630	47.5	34.6	13.65	11.85
TCHD48S41S3	T*9(C,V)*D20	24.5	FC64D	1630	49.0	35.6	13.75	12.00
TCHD48S41S3	T*9(C,V)*D20	24.5	HD48	1645	47.0	34.2	13.35	11.60
TCHD48S41S3	T*9(C,V)*D20	24.5	HD60	1615	47.5	34.4	13.60	11.75
TCHD48S41S3	T*9(C,V)*D20	24.5	UC48D	1645	45.5	33.0	13.00	11.30
TCHD48S41S3	T*9(C,V)*D20	24.5	UC60D	1615	46.0	32.8	13.20	11.40
TCHD48S41S3	TM8X080C16MP11	21.0	FC/MC/PC48C	1525	46.0	32.5	13.35	11.50
TCHD48S41S3	TM8X080C16MP11	21.0	FC/MC/PC60D	1550	46.5	33.1	13.35	11.25
TCHD48S41S3	TM8X080C16MP11	21.0	FC/MC62D	1550	46.5	33.3	13.40	11.50
TCHD48S41S3	TM8X080C16MP11	21.0	FC/PC60C	1525	46.5	33.1	13.35	11.50
TCHD48S41S3	TM8X080C16MP11	21.0	FC64D	1550	48.0	34.3	13.85	12.05
TCHD48S41S3	TM8X100C16MP11	21.0	FC/MC/PC48C	1525	46.0	32.5	13.35	11.50
TCHD48S41S3	TM8X100C16MP11	21.0	FC/MC/PC60D	1550	46.5	33.1	13.35	11.25
TCHD48S41S3	TM8X100C16MP11	21.0	FC/MC62D	1550	46.5	33.3	13.40	11.50
TCHD48S41S3	TM8X100C16MP11	21.0	FC/PC60C	1525	46.5	33.1	13.35	11.50
TCHD48S41S3	TM8X100C16MP11	21.0	FC64D	1550	48.0	34.3	13.85	12.05
TCHD48S41S3	TM8X100C20MP11	21.0	FC/MC/PC48C	1550	46.0	32.9	13.50	11.75
TCHD48S41S3	TM8X100C20MP11	21.0	FC/MC/PC48D	1575	46.0	32.9	13.50	11.50
TCHD48S41S3	TM8X100C20MP11	21.0	FC/MC/PC60D	1575	46.5	33.1	13.50	11.50
TCHD48S41S3	TM8X100C20MP11	21.0	FC/MC62D	1575	46.5	33.3	13.60	11.75
TCHD48S41S3	TM8X100C20MP11	21.0	FC/PC60C	1550	46.5	33.1	13.50	11.50
TCHD48S41S3	TM8X100C20MP11	21.0	FC64D	1600	48.0	34.3	14.00	12.20
TCHD48S41S3	TM8X100C20MP11	21.0	UC60C	1550	46.0	32.1	13.45	11.65
TCHD48S41S3	TM8X100C20MP11	21.0	UC60D	1575	46.0	32.1	13.50	11.70
TCHD48S41S3	TM8X120C20MP11	21.0	FC/MC/PC48C	1550	46.0	32.9	13.50	11.75
TCHD48S41S3	TM8X120C20MP11	21.0	FC/MC/PC48D	1575	46.0	32.9	13.50	11.50
TCHD48S41S3	TM8X120C20MP11	21.0	FC/MC/PC60D	1575	46.5	33.1	13.50	11.50
TCHD48S41S3	TM8X120C20MP11	21.0	FC/MC62D	1575	46.5	33.3	13.60	11.75
TCHD48S41S3	TM8X120C20MP11	21.0	FC/PC60C	1550	46.5	33.1	13.50	11.50
TCHD48S41S3	TM8X120C20MP11	21.0	FC64D	1600	48.0	34.3	14.00	12.20
TCHD48S41S3	TM8X120C20MP11	21.0	UC60C	1550	46.0	32.1	13.45	11.65
TCHD48S41S3	TM8X120C20MP11	21.0	UC60D	1575	46.0	32.1	13.50	11.70
TCHD48S41S3	TM9E100C20MP11	21.0	FC/MC62D	1550	46.5	33.3	13.45	11.50
TCHD48S41S3	TM9E100C20MP11	21.0	FC64D	1550	48.0	34.3	13.85	12.05
TCHD48S41S3	TM9E120D20MP11	24.5	FC/MC/PC48D	1525	46.0	32.5	13.45	11.50
TCHD48S41S3	TM9E120D20MP11	24.5	FC/MC/PC60D	1550	46.5	33.1	13.50	11.75
TCHD48S41S3	TM9E120D20MP11	24.5	FC/MC62D	1550	46.5	33.3	13.50	11.50
TCHD48S41S3	TM9E120D20MP11	24.5	FC64D	1525	48.0	34.3	13.95	12.10
TCHD48S41S3	TM9E120D20MP11	24.5	UC60D	1550	46.0	32.1	13.35	11.50
TCHD48S41S3	TM9X100C20MP11	21.0	FC/MC62D	1550	46.5	33.3	13.45	11.50
TCHD48S41S3	TM9X100C20MP11	21.0	FC64D	1550	48.0	34.3	13.85	12.05
TCHD48S41S3	TM9X120D20MP11	24.5	FC/MC/PC48D	1525	46.0	32.5	13.45	11.50
TCHD48S41S3	TM9X120D20MP11	24.5	FC/MC/PC60D	1550	46.5	33.1	13.50	11.75
TCHD48S41S3	TM9X120D20MP11	24.5	FC/MC62D	1550	46.5	33.3	13.50	11.50
TCHD48S41S3	TM9X120D20MP11	24.5	FC64D	1525	48.0	34.3	13.95	12.10
TCHD48S41S3	TM9X120D20MP11	24.5	UC60D	1550	46.0	32.1	13.35	11.50
TCHD48S41S3	TMLX080C16MP11	21.0	FC/MC/PC48C	1525	46.0	32.5	13.35	11.50
TCHD48S41S3	TMLX080C16MP11	21.0	FC/MC/PC60D	1550	46.5	33.1	13.35	11.25
TCHD48S41S3	TMLX080C16MP11	21.0	FC/MC62D	1550	46.5	33.3	13.40	11.50
TCHD48S41S3	TMLX080C16MP11	21.0	FC/PC60C	1525	46.5	33.1	13.35	11.50
TCHD48S41S3	TMLX080C16MP11	21.0	FC64D	1550	48.0	34.3	13.85	12.05
TCHD48S41S3	TMLX100C16MP11	21.0	FC/MC/PC48C	1525	46.0	32.5	13.35	11.50
TCHD48S41S3	TMLX100C16MP11	21.0	FC/MC/PC60D	1550	46.5	33.1	13.35	11.25

**COOLING CAPACITY - With High Efficiency Motor Furnaces<sup>1</sup> (Continued)**

UNIT MODEL	FURNACE		COIL MODEL <sup>2</sup>	COOLING				
	MODEL	WIDTH		RATED CFM	Net MBH		SEER	EER
					TOTAL	SENS.		
TCHD48S41S3	TMLX100C16MP11	21.0	FC/MC62D	1550	46.5	33.3	13.40	11.50
TCHD48S41S3	TMLX100C16MP11	21.0	FC/PC60C	1525	46.5	33.1	13.35	11.50
TCHD48S41S3	TMLX100C16MP11	21.0	FC64D	1550	48.0	34.3	13.85	12.05
TCHD48S41S3	TMLX100C20MP11	21.0	FC/MC/PC48C	1550	46.0	32.9	13.50	11.75
TCHD48S41S3	TMLX100C20MP11	21.0	FC/MC/PC48D	1575	46.0	32.9	13.50	11.50
TCHD48S41S3	TMLX100C20MP11	21.0	FC/MC/PC60D	1575	46.5	33.1	13.50	11.50
TCHD48S41S3	TMLX100C20MP11	21.0	FC/MC62D	1575	46.5	33.3	13.60	11.75
TCHD48S41S3	TMLX100C20MP11	21.0	FC/PC60C	1550	46.5	33.1	13.50	11.50
TCHD48S41S3	TMLX100C20MP11	21.0	FC64D	1600	48.0	34.3	14.00	12.20
TCHD48S41S3	TMLX100C20MP11	21.0	UC60C	1550	46.0	32.1	13.45	11.65
TCHD48S41S3	TMLX100C20MP11	21.0	UC60D	1575	46.0	32.1	13.50	11.70
TCHD48S41S3	TMLX120C20MP11	21.0	FC/MC/PC48C	1550	46.0	32.9	13.50	11.75
TCHD48S41S3	TMLX120C20MP11	21.0	FC/MC/PC48D	1575	46.0	32.9	13.50	11.50
TCHD48S41S3	TMLX120C20MP11	21.0	FC/MC/PC60D	1575	46.5	33.1	13.50	11.50
TCHD48S41S3	TMLX120C20MP11	21.0	FC/MC62D	1575	46.5	33.3	13.60	11.75
TCHD48S41S3	TMLX120C20MP11	21.0	FC/PC60C	1550	46.5	33.1	13.50	11.50
TCHD48S41S3	TMLX120C20MP11	21.0	FC64D	1600	48.0	34.3	14.00	12.20
TCHD48S41S3	TMLX120C20MP11	21.0	UC60C	1550	46.0	32.1	13.45	11.65
TCHD48S41S3	TMLX120C20MP11	21.0	UC60D	1575	46.0	32.1	13.50	11.70
TCHD48S41S3	Y*(8,L)C*C16	21.0	FC/MC/PC48C	1615	47.0	34.2	13.25	11.50
TCHD48S41S3	Y*(8,L)C*C16	21.0	FC/PC60C	1625	46.5	33.7	13.25	11.50
TCHD48S41S3	Y*(8,L)C*C16	21.0	FC64D	1635	49.0	35.8	14.00	12.25
TCHD48S41S3	Y*(8,L)C*C16	21.0	HD60	1625	47.5	34.4	13.70	11.85
TCHD48S41S3	Y*(8,L)C*C16	21.0	UC48C	1615	45.5	33.2	13.10	11.35
TCHD48S41S3	Y*(8,L)C*C16	21.0	UC60C	1625	46.0	32.8	13.30	11.50
TCHD48S41S3	Y*(8,L)C*C20	21.0	FC/MC/PC48C	1640	47.0	34.0	13.45	11.65
TCHD48S41S3	Y*(8,L)C*C20	21.0	FC/PC60C	1605	47.0	34.2	14.00	11.60
TCHD48S41S3	Y*(8,L)C*C20	21.0	FC64D	1630	49.0	35.8	14.25	12.25
TCHD48S41S3	Y*(8,L)C*C20	21.0	HD60	1605	47.5	34.6	14.00	12.05
TCHD48S41S3	Y*(8,L)C*C20	21.0	UC48C	1640	45.5	33.0	13.05	11.35
TCHD48S41S3	Y*(8,L)C*C20	21.0	UC60C	1605	46.0	33.0	13.55	11.70
TCHD48S41S3	Y*9C*C16	21.0	FC/MC/PC48C	1590	47.0	33.8	13.45	11.65
TCHD48S41S3	Y*9C*C16	21.0	FC/PC60C	1590	47.0	34.4	13.40	11.65
TCHD48S41S3	Y*9C*C16	21.0	FC64D	1590	49.0	35.6	14.00	12.00
TCHD48S41S3	Y*9C*C16	21.0	HD60	1590	47.0	34.2	13.50	11.65
TCHD48S41S3	Y*9C*C16	21.0	UC48C	1590	45.5	33.0	13.00	11.30
TCHD48S41S3	Y*9C*C16	21.0	UC60C	1590	45.5	32.8	13.05	11.30
TCHD48S41S3	Y*9C*C20	21.0	FC/MC/PC48C	1655	47.5	34.4	13.50	11.70
TCHD48S41S3	Y*9C*C20	21.0	FC/PC60C	1655	47.0	34.4	13.35	11.65
TCHD48S41S3	Y*9C*C20	21.0	FC64D	1655	49.0	35.6	13.75	11.75
TCHD48S41S3	Y*9C*C20	21.0	HD60	1655	47.0	34.2	13.50	11.65
TCHD48S41S3	Y*9C*C20	21.0	UC48C	1655	45.5	33.0	13.00	11.30
TCHD48S41S3	Y*9C*C20	21.0	UC60C	1655	45.5	32.8	13.05	11.30
TCHD48S41S3	Y*9C*D20	24.5	FC/MC/PC48D	1645	47.5	34.4	13.50	11.70
TCHD48S41S3	Y*9C*D20	24.5	FC/MC/PC60D	1615	47.0	34.4	13.50	11.75
TCHD48S41S3	Y*9C*D20	24.5	FC/MC62D	1630	47.5	34.6	13.65	11.85
TCHD48S41S3	Y*9C*D20	24.5	FC64D	1630	49.0	35.6	13.75	12.00
TCHD48S41S3	Y*9C*D20	24.5	HD60	1615	47.5	34.4	13.60	11.75
TCHD48S41S3	Y*9C*D20	24.5	UC48D	1645	45.5	33.0	13.00	11.30
TCHD48S41S3	Y*9C*D20	24.5	UC60D	1615	46.0	32.8	13.20	11.40
TCHD60S41S3	TM8E080C16MP11	21.0	CF/CM64D	1575	59.0	42.5	13.25	11.00
TCHD60S41S3	TM8E080C20MP11	21.0	CF/CM/UC60C	1550	57.0	40.7	13.00	10.75
TCHD60S41S3	TM8E080C20MP11	21.0	CF/CM/UC60D	1575	57.0	41.0	13.25	11.00

**COOLING CAPACITY - With High Efficiency Motor Furnaces<sup>1</sup> (Continued)**

UNIT MODEL	FURNACE		COIL MODEL <sup>2</sup>	COOLING				
	MODEL	WIDTH		RATED CFM	Net MBH		SEER	EER
					TOTAL	SENS.		
TCHD60S41S3	TM8E080C20MP11	21.0	CF/CM64D	1575	59.0	42.4	13.50	11.25
TCHD60S41S3	TM8E100C16MP11	21.0	CF/CM64D	1575	59.0	42.5	13.25	11.00
TCHD60S41S3	TM8E100C20MP11	21.0	CF/CM/CU60C	1500	56.5	39.9	13.00	10.75
TCHD60S41S3	TM8E100C20MP11	21.0	CF/CM/CU60D	1550	57.0	40.7	13.25	11.00
TCHD60S41S3	TM8E100C20MP11	21.0	CF/CM64D	1525	59.0	42.2	13.50	11.25
TCHD60S41S3	TM8E120C16MP11	21.0	CF/CM64D	1575	59.0	42.5	13.25	11.00
TCHD60S41S3	TM8E120C20MP11	21.0	CF/CM/CU60C	1500	57.0	40.4	13.25	11.00
TCHD60S41S3	TM8E120C20MP11	21.0	CF/CM/CU60D	1525	57.0	40.6	13.25	11.00
TCHD60S41S3	TM8E120C20MP11	21.0	CF/CM64D	1525	59.0	42.2	13.50	11.25
TCHD60S41S3	TM8E130D20MP11	24.5	CF/CM/CU60D	1650	57.5	41.8	13.00	11.00
TCHD60S41S3	TM8E130D20MP11	24.5	CF/CM64D	1625	59.5	43.2	13.50	11.00
TCHD60S41S3	TM8V080C16MP12C	21.0	CF/CM64D	1725	58.5	44.5	13.00	11.00
TCHD60S41S3	TM8V100C16MP12C	21.0	CF/CM64D	1725	58.5	44.5	13.00	11.00
TCHD60S41S3	TM8V100C20MP12C	21.0	CF/CM64D	1625	58.5	43.2	13.25	11.00
TCHD60S41S3	TM8V120C20MP12C	21.0	CF/CM64D	1625	58.5	43.2	13.25	11.00
TCHD60S41S3	TM9E080C20MP12	21.0	CF/CM/CU60C	1500	57.0	40.4	13.00	10.75
TCHD60S41S3	TM9E080C20MP12	21.0	CF/CM/CU60D	1525	57.0	40.6	13.25	11.00
TCHD60S41S3	TM9E080C20MP12	21.0	CF/CM64D	1500	58.5	41.5	13.50	11.25
TCHD60S41S3	TM9E100C20MP11	21.0	CF/CM64D	1550	58.5	42.1	13.00	11.00
TCHD60S41S3	TM9E100C20MP12	21.0	CF/CM/CU60C	1500	57.0	40.4	13.00	10.75
TCHD60S41S3	TM9E100C20MP12	21.0	CF/CM/CU60D	1550	57.0	40.7	13.25	11.00
TCHD60S41S3	TM9E100C20MP12	21.0	CF/CM64D	1525	59.0	42.2	13.50	11.25
TCHD60S41S3	TM9E120D20MP11	24.5	CF/CM64D	1575	58.5	42.5	13.00	11.00
TCHD60S41S3	TM9E120D20MP12	24.5	CF/CM64D	1600	59.0	42.9	13.25	11.00
TCHD60S41S3	TM9V080C16MP12C	21.0	CF/CM64D	1625	58.5	42.8	13.00	11.00
TCHD60S41S3	TM9V100C16MP12C	21.0	CF/CM64D	1600	58.5	42.5	13.00	10.75
TCHD60S41S3	TM9V100C20MP12C	21.0	CF/CM64D	1625	58.5	42.7	13.00	11.00
TCHD60S41S3	TM9V120D20MP12C	24.5	CF/CM64D	1575	58.5	42.4	13.25	11.00
TCHD60S41S3	TM9Y100C20MP11	21.0	CF/CM64D	1550	58.5	42.1	13.00	11.00
TCHD60S41S3	TM9Y120D20MP11	24.5	CF/CM64D	1575	58.5	42.5	13.00	11.00
TCHD60S41S3	TMLE080C16MP11	21.0	CF/CM64D	1575	59.0	42.5	13.25	11.00
TCHD60S41S3	TMLE080C20MP11	21.0	CF/CM/CU60C	1550	57.0	40.7	13.00	10.75
TCHD60S41S3	TMLE080C20MP11	21.0	CF/CM/CU60D	1575	57.0	41.0	13.25	11.00
TCHD60S41S3	TMLE080C20MP11	21.0	CF/CM64D	1575	59.0	42.4	13.50	11.25
TCHD60S41S3	TMLE100C16MP11	21.0	CF/CM64D	1575	59.0	42.5	13.25	11.00
TCHD60S41S3	TMLE100C20MP11	21.0	CF/CM/CU60C	1500	56.5	39.9	13.00	10.75
TCHD60S41S3	TMLE100C20MP11	21.0	CF/CM/CU60D	1550	57.0	40.7	13.25	11.00
TCHD60S41S3	TMLE100C20MP11	21.0	CF/CM64D	1525	59.0	42.2	13.50	11.25
TCHD60S41S3	TMLE120C16MP11	21.0	CF/CM64D	1575	59.0	42.5	13.25	11.00
TCHD60S41S3	TMLE120C20MP11	21.0	CF/CM/CU60C	1500	57.0	40.4	13.25	11.00
TCHD60S41S3	TMLE120C20MP11	21.0	CF/CM/CU60D	1525	57.0	40.6	13.25	11.00
TCHD60S41S3	TMLE120C20MP11	21.0	CF/CM64D	1525	59.0	42.2	13.50	11.25
TCHD60S41S3	TMLE130D20MP11	24.5	CF/CM/CU60D	1650	57.5	41.8	13.00	11.00
TCHD60S41S3	TMLE130D20MP11	24.5	CF/CM64D	1625	59.5	43.2	13.50	11.00
TCHD60S41S3	TMLV080C16MP12C	21.0	CF/CM64D	1725	58.5	44.5	13.00	11.00
TCHD60S41S3	TMLV100C16MP12C	21.0	CF/CM64D	1725	58.5	44.5	13.00	11.00
TCHD60S41S3	TMLV100C20MP12C	21.0	CF/CM64D	1625	58.5	43.2	13.25	11.00
TCHD60S41S3	TMLV120C20MP12C	21.0	CF/CM64D	1625	58.5	43.2	13.25	11.00
TCHD60S41S3	TP9C080C16MP13C	21.0	CF/CM64D	1625	58.5	42.8	13.00	11.00
TCHD60S41S3	TP9C100C16MP13C	21.0	CF/CM64D	1600	58.5	42.5	13.00	10.75
TCHD60S41S3	TP9C100C20MP13C	21.0	CF/CM64D	1625	58.5	42.7	13.00	11.00
TCHD60S41S3	TP9C120D20MP13C	24.5	CF/CM64D	1575	58.5	42.4	13.25	11.00
TCHD60S41S3	TPLC080C16MP13C	21.0	CF/CM64D	1725	58.5	44.5	13.00	11.00



**COOLING CAPACITY - With High Efficiency Motor Furnaces<sup>1</sup> (Continued)**

UNIT MODEL	FURNACE		COIL MODEL <sup>2</sup>	COOLING				
	MODEL	WIDTH		RATED CFM	Net MBH		SEER	EER
					TOTAL	SENS.		
TCHD60S41S3	TPLC100C16MP13C	21.0	CF/CM64D	1725	58.5	44.5	13.00	11.00
TCHD60S41S3	TPLC100C20MP13C	21.0	CF/CM64D	1625	58.5	43.2	13.25	11.00
TCHD60S41S3	TPLC120C20MP13C	21.0	CF/CM64D	1625	58.5	43.2	13.25	11.00
TCHD60S41S3	YP9C080C16MP13C	21.0	CF/CM64D	1625	58.5	42.8	13.00	11.00
TCHD60S41S3	YP9C100C16MP13C	21.0	CF/CM64D	1600	58.5	42.5	13.00	10.75
TCHD60S41S3	YP9C100C20MP13C	21.0	CF/CM64D	1625	58.5	42.7	13.00	11.00
TCHD60S41S3	YP9C120D20MP13C	24.5	CF/CM64D	1575	58.5	42.4	13.25	11.00
TCHD60S41S3	YPLC080C16MP13C	21.0	CF/CM64D	1725	58.5	44.5	13.00	11.00
TCHD60S41S3	YPLC100C16MP13C	21.0	CF/CM64D	1725	58.5	44.5	13.00	11.00
TCHD60S41S3	YPLC100C20MP13C	21.0	CF/CM64D	1625	58.5	43.2	13.25	11.00
TCHD60S41S3	YPLC120C20MP13C	21.0	CF/CM64D	1625	58.5	43.2	13.25	11.00
TCHD60S41S3	T*(8,L)C*C16	21.0	HD60	1740	57.0	40.0	13.05	11.15
TCHD60S41S3	T*(8,L)C*C20	21.0	FC/MC62D	1615	56.5	38.5	13.30	11.30
TCHD60S41S3	T*(8,L)C*C20	21.0	HD60	1605	56.0	38.0	13.40	11.40
TCHD60S41S3	T*(8,L)V*C16	21.0	HD60	1740	57.0	40.0	13.05	11.15
TCHD60S41S3	T*(8,L)V*C20	21.0	FC/MC62D	1615	56.5	38.5	13.30	11.30
TCHD60S41S3	T*9(C,V)*C16	21.0	HD60	1590	56.0	38.0	13.15	11.20
TCHD60S41S3	T*9(C,V)*C20	21.0	FC/MC62D	1655	56.5	38.0	13.15	11.10
TCHD60S41S3	T*9(C,V)*C20	21.0	FC64D	1655	58.0	40.0	13.25	11.25
TCHD60S41S3	T*9(C,V)*C20	21.0	HD60	1655	56.0	38.0	13.00	11.10
TCHD60S41S3	T*9(C,V)*D20	24.5	FC/MC62D	1630	56.5	38.0	13.30	11.20
TCHD60S41S3	T*9(C,V)*D20	24.5	FC64D	1630	58.0	40.0	13.50	11.50
TCHD60S41S3	T*9(C,V)*D20	24.5	HD60	1615	56.0	38.0	13.10	11.15
TCHD60S41S3	TM8X100C20MP11	21.0	FC/MC62D	1575	55.5	37.5	13.25	11.20
TCHD60S41S3	TM8X100C20MP11	21.0	FC64D	1600	57.0	38.7	13.65	11.55
TCHD60S41S3	TM8X120C20MP11	21.0	FC/MC62D	1575	55.5	37.5	13.25	11.20
TCHD60S41S3	TM8X120C20MP11	21.0	FC64D	1600	57.0	38.7	13.65	11.55
TCHD60S41S3	TM9E100C20MP11	21.0	FC64D	1550	56.5	37.7	13.45	11.35
TCHD60S41S3	TM9E120D20MP11	24.5	FC64D	1525	56.5	37.7	13.55	11.40
TCHD60S41S3	TM9X100C20MP11	21.0	FC64D	1550	56.5	37.7	13.45	11.35
TCHD60S41S3	TM9X120D20MP11	24.5	FC64D	1525	56.5	37.7	13.55	11.40
TCHD60S41S3	TMLX100C20MP11	21.0	FC/MC62D	1575	55.5	37.5	13.25	11.20
TCHD60S41S3	TMLX100C20MP11	21.0	FC64D	1600	57.0	38.7	13.65	11.55
TCHD60S41S3	TMLX120C20MP11	21.0	FC/MC62D	1575	55.5	37.5	13.25	11.20
TCHD60S41S3	TMLX120C20MP11	21.0	FC64D	1600	57.0	38.7	13.65	11.55
TCHD60S41S3	Y*(8,L)C*C16	21.0	HD60	1740	57.0	40.0	13.05	11.15
TCHD60S41S3	Y*(8,L)C*C20	21.0	FC/MC62D	1615	56.5	38.5	13.30	11.30
TCHD60S41S3	Y*9C*C16	21.0	HD60	1590	56.0	38.0	13.15	11.20
TCHD60S41S3	Y*9C*C20	21.0	FC/MC62D	1655	56.5	38.0	13.15	11.10
TCHD60S41S3	Y*9C*C20	21.0	FC64D	1655	58.0	40.0	13.25	11.25
TCHD60S41S3	Y*9C*D20	24.5	FC/MC62D	1630	56.5	38.0	13.30	11.20
TCHD60S41S3	Y*9C*D20	24.5	FC64D	1630	58.0	40.0	13.50	11.50

For rated condition information, see the footnotes below the System Capacity - Single Piece and Modular Air Handlers table.

1. High Efficiency Motor Furnaces have B.O.D (Blower on Delay) standard.
  2. MC coils available with a factory installed horizontal drain pan. See price pages for specific model number.
- PSC furnaces, such as the TG8S, TGLS, and TG9S, use Coil Only Ratings.

## ACCESSORIES

Refer to Price Manual for specific model numbers.

### Standard Low Ambient Control Kit S1-2LA06700424 -

Allows the use of air conditioning at low outdoor ambient temperatures down to +20°F (-7°C). For use with all R-410A single stage AC & HP models.

**Start Assist Kit S1-2SA067\*\*\*\*\*** - Provides increased compressor starting torque for areas with low supply voltage. Required for units with recip compressors when applied with indoor TXV, and for all units when applied with long linesets or low ambient kits. May be factory installed on select AC & HP units (see Physical & Electrical Table). See Price Pages or Source1 SmartSearch for the correct kit for each application.

**Indoor TXV Kit S1-1TVM\*\*\*** - Thermal expansion valves precisely meter refrigerant for optimum performance over a wide range of conditions. See System Charge Table, Price Pages, or Source1 Smart Search for TXV part number for each AC & HP model.

**Off Cycle Timer Delay** - Provides a 5-minute off cycle to prevent rapid recycling of the compressor.

**Stacking Kit (S1-1HDSTACK01)** - Allows units to be stacked two high.

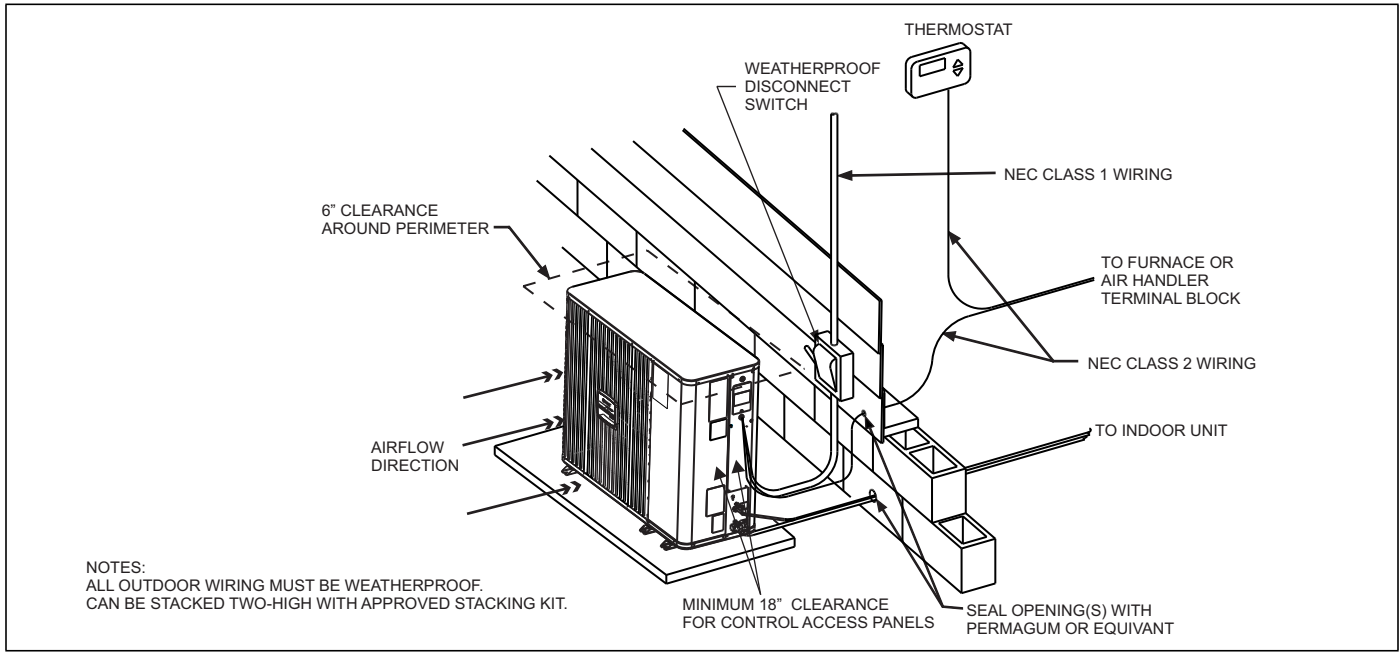
**Thermostat** - Compatible thermostat controls are available through accessory sourcing. For optimum performance, these outdoor units are fully compatible with our York Hx™ Touch-screen Thermostats available through Source1. For more information, see the thermostat section of the Product Equipment Catalog.

## SOUND POWER - TYPICAL OCTAVE BAND SPECTRUM (without tone adjustment)

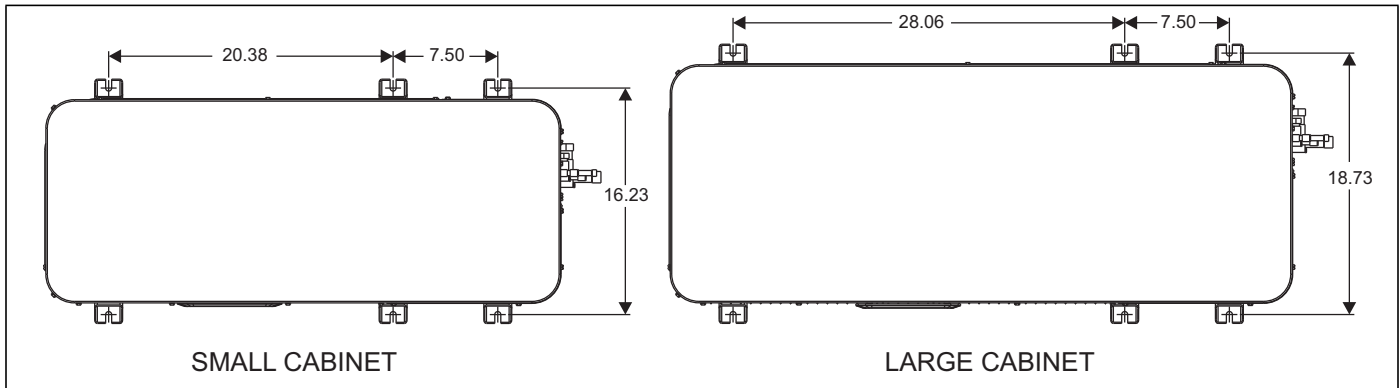
Model Number	Octave Band Sound Power Level (db re. 1-pW)								dBA
	63	125	250	500	1000	2000	4000	8000	
TCHD18S41S3	71	71	76	65	62	57	52	48	70
TCHD24S41S4	73	78	69	67	65	60	57	58	70
TCHD30S41S3	73	78	69	67	65	60	57	58	70
TCHD36S41S3	74	77	68	67	66	61	58	58	71
TCHD48S41S3	75	81	70	68	66	61	58	58	72
TCHD60S41S3	73	81	71	67	66	61	58	59	72

Rated in accordance with ARI Standard 270.

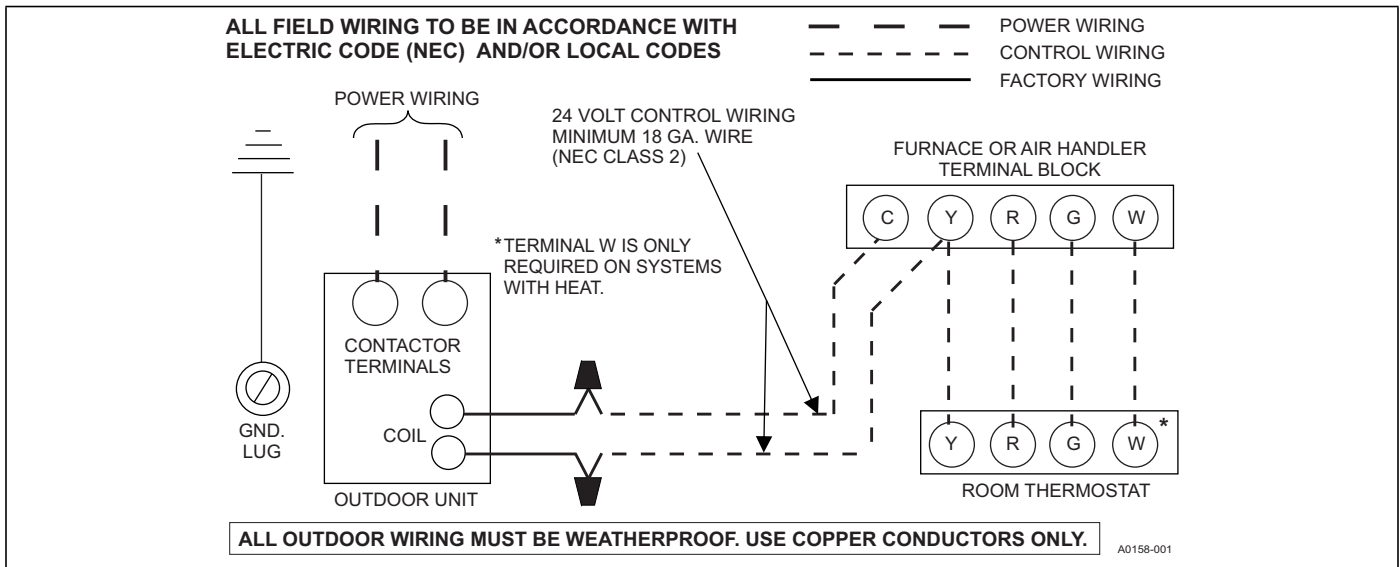
**TYPICAL INSTALLATION**



**MOUNTING HOLE GRAPHIC**



**TYPICAL FIELD WIRING**



## PERFORMANCE DATA - 1.5 TON - COPPER MATCHED SYSTEMS

COOLING PERFORMANCE DATA																
AIR CONDITIONER MODEL NO.		TCHD18S41S3														
INDOOR COIL MODEL NO.		FC/MC/PC24														
AIR TEMP. ENTERING OUTDOOR UNIT (°F)	ID CFM	450					600					750				
	ID DB (°F)	80	80	75	80	80	80	80	75	80	80	80	80	75	80	80
	ID WB (°F)	57	62	62	67	72	57	62	62	67	72	57	62	62	67	72
65	T.C.	17.3	18.2	18.6	19.7	21.5	18.9	19.0	19.2	20.6	22.5	20.4	19.7	19.8	21.5	23.4
	S.C.	16.6	14.5	12.6	12.2	9.9	18.0	16.9	14.3	14.2	10.7	19.4	19.3	15.9	16.2	11.6
	KW	1.07	1.08	1.09	1.08	1.07	1.07	1.07	1.09	1.07	1.07	1.07	1.07	1.08	1.07	1.08
75	T.C.	16.2	17.3	17.8	18.9	20.7	17.8	18.2	18.4	19.7	21.5	19.4	19.1	19.0	20.5	22.3
	S.C.	15.7	13.9	12.2	11.8	9.6	17.2	16.4	13.9	13.7	10.5	18.7	18.8	15.6	15.6	11.4
	KW	1.28	1.28	1.28	1.27	1.25	1.27	1.27	1.27	1.26	1.25	1.26	1.26	1.27	1.26	1.26
85	T.C.	15.1	16.5	16.9	18.1	20.0	16.7	17.5	17.6	18.9	20.5	18.3	18.5	18.2	19.6	21.1
	S.C.	14.8	13.3	11.8	11.4	9.3	16.4	15.8	13.5	13.1	10.2	18.0	18.4	15.3	14.9	11.2
	KW	1.48	1.48	1.47	1.46	1.44	1.46	1.46	1.46	1.45	1.43	1.44	1.44	1.46	1.44	1.43
95	T.C.	14.0	15.7	16.1	17.3	19.2	15.6	16.8	16.8	18.0	19.6	17.3	18.0	17.4	18.7	19.9
	S.C.	14.0	12.7	11.3	11.0	8.9	15.6	15.3	13.1	12.6	10.0	17.3	17.9	14.9	14.2	11.0
	KW	1.68	1.68	1.66	1.64	1.62	1.65	1.66	1.65	1.64	1.61	1.63	1.63	1.64	1.63	1.61
105	T.C.	13.4	14.5	14.9	16.0	18.1	14.8	15.6	15.6	16.8	18.5	16.3	16.7	16.2	17.6	18.9
	S.C.	13.3	12.2	10.7	10.4	8.5	14.8	14.5	12.4	12.0	9.5	16.3	16.7	14.1	13.7	10.5
	KW	2.16	2.12	2.11	2.12	1.93	2.08	2.06	2.07	2.04	1.92	1.99	1.99	2.02	1.95	1.91
115	T.C.	12.7	13.5	13.7	14.7	16.9	14.0	14.5	14.4	15.6	17.4	15.3	15.6	15.1	16.5	17.9
	S.C.	12.6	11.6	10.0	9.8	8.0	14.0	13.6	11.6	11.5	9.0	15.3	15.6	13.2	13.2	10.0
	KW	2.63	2.54	2.55	2.58	2.23	2.48	2.44	2.47	2.42	2.21	2.34	2.34	2.40	2.27	2.20
125	T.C.	12.1	12.4	12.6	13.4	15.8	13.2	13.4	13.2	14.4	16.3	14.3	14.4	13.9	15.5	16.8
	S.C.	12.0	11.1	9.4	9.2	7.6	13.1	12.8	10.9	10.9	8.5	14.3	14.4	12.4	12.7	9.5
	KW	3.10	2.97	3.00	3.04	2.53	2.89	2.83	2.88	2.81	2.51	2.69	2.68	2.77	2.58	2.49

NOTE: ALL CAPACITIES INCLUDE INDOOR FAN HEAT. KW VALUES ARE FOR THE SYSTEM (OUTDOOR + INDOOR).

Green shaded cells are ACCA (TVA) conditions.

Blue shaded cells are AHRI conditions.

## Multipliers for determining the performance with other indoor sections.

NOTE: For dry bulb temperatures different than those listed (between 73-87 °F), sensible capacity increases by 1060 BTUH per 1000 CFM per degree above the listed temperature and decreases by 1060 BTUH per 1000 CFM per degree below the listed temperature.

Air Handlers	Coils	T.C.	S.C.	KW	Furnaces	Coils	T.C.	S.C.	KW
-	FC/MC/PC24	1.00	1.00	1.00	T*(8,L)C*A12	FC/MC/PC18A	1.01	1.10	0.92
-	FC/MC/PC32	1.01	1.00	1.00	T*(8,L)C*A12	FC/MC/PC24A	1.03	1.06	0.93
-	FC/MC/PC35	1.01	1.00	1.00	T*(8,L)C*A12	FC/MC/PC32A	1.02	1.04	0.92
-	FC/MC/PC37	1.02	1.01	1.00	T*(8,L)C*A12	FC/MC/PC37A	1.04	1.07	0.93
-	HD24	1.04	1.02	1.01	T*(8,L)C*A12	HD24	1.06	1.10	0.93
-	UC24	1.00	0.99	1.00	T*(8,L)C*A12	HD36	1.03	1.02	0.92
AHE18B	-	1.01	1.02	0.92	T*(8,L)C*A12	UC18A	1.01	1.11	0.92
AHE24B	-	1.02	1.03	0.91	T*(8,L)C*A12	UC24A	1.03	1.06	0.93
AHE30B	-	1.02	1.03	0.91	T*(8,L)C*B12	FC/MC/PC18B	0.99	1.09	0.91
AHE36C	-	1.08	1.16	0.93	T*(8,L)C*B12	FC/MC/PC24B	1.02	1.03	0.91
AHR18B	-	0.99	1.02	0.99	T*(8,L)C*B12	FC/MC/PC35B	1.03	1.06	0.92
AHV18B	-	1.00	1.01	0.96	T*(8,L)C*B12	HD24	1.06	1.06	0.91
AHV24B	-	1.01	1.02	0.95	T*(8,L)C*B12	HD36	1.03	1.02	0.92
AHV30B	-	1.02	1.10	0.96	T*(8,L)C*B12	UC18B	1.00	1.10	0.91
AHV36C	-	1.03	1.09	0.95	T*(8,L)C*B12	UC24B	1.02	1.04	0.90
MV12B	FC/MC24B	1.02	1.02	0.93	T*(8,L)C*C16	FC/MC/PC35C	1.03	1.06	0.91
MV12B	FC/MC35B	1.02	1.04	0.93	T*(8,L)C*C16	HD36	1.03	1.02	0.91
MX12BN21	FC/MC18B	1.00	1.01	0.96	T*(8,L)V*A12	FC/MC/PC24A	1.03	1.06	0.93
MX12BN21	FC/MC24B	1.02	1.03	0.94	T*(8,L)V*A12	FC/MC/PC32A	1.02	1.04	0.92
MX12BN21	FC/MC35B	1.02	1.04	0.94	T*(8,L)V*A12	FC/MC/PC37A	1.04	1.07	0.93
MX16CN21	FC/MC35C	1.01	1.02	1.03	T*(8,L)V*A12	HD24	1.06	1.10	0.93
					T*(8,L)V*A12	HD36	1.03	1.02	0.92

Furnaces	Coils	T.C.	S.C.	KW
T*(8,L)V*A12	UC24A	1.03	1.06	0.93
T*(8,L)V*B12	FC/MC/PC24B	1.02	1.03	0.91
T*(8,L)V*B12	FC/MC/PC35B	1.03	1.06	0.92
T*(8,L)V*B12	HD24	1.06	1.06	0.91
T*(8,L)V*B12	HD36	1.03	1.02	0.92
T*(8,L)V*B12	UC24B	1.02	1.04	0.90
T*(8,L)V*C16	FC/MC/PC35C	1.03	1.06	0.91
T*(8,L)V*C16	HD36	1.03	1.02	0.91
T*9(C,V)*B12	FC/MC/PC24B	1.03	1.06	0.92
T*9(C,V)*B12	FC/MC/PC35B	1.02	1.02	0.91
T*9(C,V)*B12	HD24	1.07	1.10	0.92
T*9(C,V)*B12	HD36	1.03	1.02	0.92
T*9(C,V)*B12	UC24B	1.03	1.06	0.91
T*9(C,V)*C16	FC/MC/PC35C	1.03	1.06	0.92
T*9(C,V)*C16	HD36	1.03	1.02	0.91
T*9V*A10	FC/MC/PC18A	0.99	0.98	0.95
T*9V*A10	FC/MC/PC24A	1.02	1.02	0.95
T*9V*A10	FC/MC/PC32A	1.01	1.02	0.95
T*9V*A10	FC/MC/PC37A	1.03	1.02	0.96
TM8X060A12MP11	FC/MC/PC18A	1.00	1.00	0.98
TM8X060A12MP11	FC/MC/PC24A	1.02	1.03	0.95
TM8X060A12MP11	FC/MC/PC32A	1.02	1.03	0.95
TM8X060A12MP11	FC/MC/PC37A	1.03	1.04	0.99
TM8X060A12MP11	UC18A	1.01	1.01	0.98
TM8X060A12MP11	UC24A	1.03	1.03	0.95
TM8X080B12MP11	FC/MC/PC18B	0.99	1.00	0.97
TM8X080B12MP11	FC/MC/PC24B	1.02	1.02	0.95
TM8X080B12MP11	FC/MC/PC35B	1.02	1.03	0.98
TM8X080B12MP11	UC18B	1.01	1.01	0.98
TM8X080B12MP11	UC24B	1.02	1.02	0.95
TM8X080C16MP11	FC/MC/PC35C	1.02	1.03	0.98
TM8X100C16MP11	FC/MC/PC35C	1.02	1.03	0.98
TM9E040A10MP11	FC/MC/PC18A	0.98	0.98	0.99
TM9E040A10MP11	FC/MC/PC24A	1.01	1.01	1.01
TM9E040A10MP11	FC/MC/PC32A	1.01	1.02	1.00
TM9E040A10MP11	FC/MC/PC37A	1.02	1.02	1.00
TM9E060B12MP11	FC/MC/PC18B	0.99	1.00	0.99
TM9E060B12MP11	FC/MC/PC24B	1.02	1.02	0.96
TM9E060B12MP11	FC/MC/PC35B	1.02	1.03	0.99
TM9E060B12MP11	UC18B	1.01	1.00	0.98
TM9E060B12MP11	UC24B	1.02	1.02	0.96
TM9E080B12MP11	FC/MC/PC18B	0.99	1.00	0.99
TM9E080B12MP11	FC/MC/PC24B	1.02	1.02	0.96
TM9E080B12MP11	FC/MC/PC35B	1.02	1.03	0.99
TM9E080B12MP11	UC18B	1.01	1.00	0.98
TM9E080B12MP11	UC24B	1.02	1.02	0.96
TM9E080C16MP11	FC/MC/PC35C	1.02	1.04	0.96
TM9E100C16MP11	FC/MC/PC35C	1.02	1.04	0.96
TM9X040A10MP11	FC/MC/PC18A	0.98	0.98	0.99
TM9X040A10MP11	FC/MC/PC24A	1.01	1.01	1.01

Furnaces	Coils	T.C.	S.C.	KW
TM9X040A10MP11	FC/MC/PC32A	1.01	1.02	1.00
TM9X040A10MP11	FC/MC/PC37A	1.02	1.02	1.00
TM9X060B12MP11	FC/MC/PC18B	0.99	1.00	0.99
TM9X060B12MP11	FC/MC/PC24B	1.02	1.02	0.96
TM9X060B12MP11	FC/MC/PC35B	1.02	1.03	0.99
TM9X060B12MP11	UC18B	1.01	1.00	0.98
TM9X060B12MP11	UC24B	1.02	1.02	0.96
TM9X080B12MP11	FC/MC/PC18B	0.99	1.00	0.99
TM9X080B12MP11	FC/MC/PC24B	1.02	1.02	0.96
TM9X080B12MP11	FC/MC/PC35B	1.02	1.03	0.99
TM9X080B12MP11	UC18B	1.01	1.00	0.98
TM9X080B12MP11	UC24B	1.02	1.02	0.96
TM9X080C16MP11	FC/MC/PC35C	1.02	1.04	0.96
TM9X100C16MP11	FC/MC/PC35C	1.02	1.04	0.96
TMLX060A12MP11	FC/MC/PC18A	1.00	1.00	0.98
TMLX060A12MP11	FC/MC/PC24A	1.02	1.03	0.95
TMLX060A12MP11	FC/MC/PC32A	1.02	1.03	0.95
TMLX060A12MP11	FC/MC/PC37A	1.03	1.04	0.99
TMLX060A12MP11	UC18A	1.01	1.01	0.98
TMLX060A12MP11	UC24A	1.03	1.03	0.95
TMLX080B12MP11	FC/MC/PC18B	0.99	1.00	0.97
TMLX080B12MP11	FC/MC/PC24B	1.02	1.02	0.95
TMLX080B12MP11	FC/MC/PC35B	1.02	1.03	0.98
TMLX080B12MP11	UC18B	1.01	1.01	0.98
TMLX080B12MP11	UC24B	1.02	1.02	0.95
TMLX080C16MP11	FC/MC/PC35C	1.02	1.03	0.98
TMLX100C16MP11	FC/MC/PC35C	1.02	1.03	0.98
Y*(8,L)C*A12	FC/MC/PC24A	1.03	1.06	0.93
Y*(8,L)C*A12	FC/MC/PC32A	1.02	1.04	0.92
Y*(8,L)C*A12	FC/MC/PC37A	1.04	1.07	0.93
Y*(8,L)C*A12	HD24	1.06	1.10	0.93
Y*(8,L)C*A12	HD36	1.03	1.02	0.92
Y*(8,L)C*A12	UC24A	1.03	1.06	0.93
Y*(8,L)C*B12	FC/MC/PC24B	1.02	1.03	0.91
Y*(8,L)C*B12	FC/MC/PC35B	1.03	1.06	0.92
Y*(8,L)C*B12	HD24	1.06	1.06	0.91
Y*(8,L)C*B12	HD36	1.03	1.02	0.92
Y*(8,L)C*B12	UC24B	1.02	1.04	0.90
Y*(8,L)C*C16	FC/MC/PC35C	1.03	1.06	0.91
Y*(8,L)C*C16	HD36	1.03	1.02	0.91
Y*9C*B12	FC/MC/PC24B	1.03	1.06	0.92
Y*9C*B12	FC/MC/PC35B	1.02	1.02	0.91
Y*9C*B12	HD24	1.07	1.10	0.92
Y*9C*B12	HD36	1.03	1.02	0.92
Y*9C*B12	UC24B	1.03	1.06	0.91
Y*9C*C16	FC/MC/PC35C	1.03	1.06	0.92
Y*9C*C16	HD36	1.03	1.02	0.91

## PERFORMANCE DATA - 2 TON - COPPER MATCHED SYSTEMS

COOLING PERFORMANCE DATA																	
AIR CONDITIONER MODEL NO.		TCHD24S41S4															
INDOOR COIL MODEL NO.		FC/MC/PC24															
AIR TEMP. ENTERING OUTDOOR UNIT (°F)	ID CFM	600					800					1000					
	ID DB (°F)	80	80	75	80	80	80	80	75	80	80	80	80	80	75	80	80
	ID WB (°F)	57	62	62	67	72	57	62	62	67	72	57	62	62	67	72	
65	T.C.	20.4	23.2	23.7	25.5	27.6	22.5	24.3	24.8	26.7	28.7	24.7	25.4	25.8	27.9	29.8	
	S.C.	20.0	18.3	15.9	15.7	12.2	21.9	20.8	17.9	17.8	13.4	23.8	23.3	20.0	19.9	14.6	
	KW	1.43	1.43	1.44	1.44	1.44	1.51	1.52	1.51	1.50	1.51	1.59	1.60	1.58	1.57	1.59	
75	T.C.	20.1	22.2	22.7	24.6	26.7	22.0	23.4	23.7	25.6	27.8	24.0	24.5	24.7	26.6	28.9	
	S.C.	19.6	17.9	15.5	15.3	11.9	21.4	20.5	17.6	17.2	13.2	23.2	23.1	19.7	19.2	14.5	
	KW	1.62	1.62	1.61	1.61	1.61	1.69	1.70	1.68	1.68	1.69	1.76	1.77	1.75	1.75	1.76	
85	T.C.	19.7	21.3	21.7	23.6	25.8	21.5	22.4	22.6	24.5	26.9	23.3	23.6	23.5	25.4	27.9	
	S.C.	19.1	17.5	15.0	14.8	11.6	20.8	20.2	17.2	16.7	13.0	22.6	22.9	19.4	18.5	14.3	
	KW	1.81	1.81	1.78	1.78	1.78	1.87	1.88	1.86	1.86	1.86	1.94	1.94	1.93	1.93	1.94	
95	T.C.	19.4	20.4	20.7	22.7	25.0	21.0	21.5	21.5	23.4	25.9	22.6	22.7	22.4	24.1	26.9	
	S.C.	18.7	17.1	14.6	14.4	11.4	20.3	19.9	16.8	16.1	12.8	21.9	22.6	19.1	17.8	14.2	
	KW	2.00	2.00	1.96	1.96	1.96	2.06	2.06	2.03	2.03	2.03	2.11	2.11	2.10	2.11	2.11	
105	T.C.	18.5	19.2	19.4	21.3	23.5	20.0	20.4	20.2	21.9	24.4	21.4	21.6	21.0	22.6	25.3	
	S.C.	17.8	16.6	14.0	13.8	10.8	19.2	18.9	16.2	15.6	12.2	20.7	21.2	18.5	17.4	13.6	
	KW	2.31	2.30	2.28	2.27	2.25	2.35	2.34	2.34	2.34	2.32	2.40	2.39	2.40	2.40	2.38	
115	T.C.	17.6	18.1	18.1	19.8	22.0	18.9	19.3	18.9	20.5	22.9	20.3	20.5	19.7	21.2	23.7	
	S.C.	16.9	16.1	13.5	13.1	10.3	18.2	18.0	15.7	15.1	11.7	19.6	19.8	17.8	17.0	13.1	
	KW	2.60	2.58	2.58	2.58	2.53	2.64	2.63	2.64	2.63	2.59	2.68	2.67	2.69	2.69	2.65	
125	T.C.	16.7	17.0	16.9	18.4	20.6	17.9	18.2	17.6	19.1	21.4	19.1	19.4	18.3	19.8	22.1	
	S.C.	16.0	15.7	12.9	12.5	9.8	17.2	17.0	15.1	14.5	11.2	18.4	18.4	17.2	16.5	12.5	
	KW	2.90	2.87	2.89	2.88	2.81	2.93	2.91	2.94	2.93	2.86	2.96	2.94	2.98	2.97	2.91	

NOTE: ALL CAPACITIES INCLUDE INDOOR FAN HEAT. KW VALUES ARE FOR THE SYSTEM (OUTDOOR + INDOOR).

Green shaded cells are ACCA (TVA) conditions.

Blue shaded cells are AHRI conditions.

## Multipliers for determining the performance with other indoor sections.

NOTE: For dry bulb temperatures different than those listed (between 73-87 °F), sensible capacity increases by 1060 BTUH per 1000 CFM per degree above the listed temperature and decreases by 1060 BTUH per 1000 CFM per degree below the listed temperature.

Air Handlers	Coils	T.C.	S.C.	KW
-	FC/MC/PC24	1.00	1.00	1.00
-	FC/MC/PC32	1.01	1.01	1.01
-	FC/MC/PC35	1.01	1.01	1.01
-	FC/MC/PC37	1.02	1.04	1.02
-	FC/MC/PC43	1.02	1.04	1.02
-	FC/MC/PC48	1.03	1.04	1.00
-	HD24	1.02	1.02	1.00
-	HD36	0.99	0.98	1.01
-	UC24	1.01	1.01	1.01
-	UC48	1.00	1.02	1.00
AHE24B	-	1.03	1.05	0.91
AHE30B	-	1.03	1.05	0.91
AHE36C	-	1.04	1.10	0.89
AHE42D	-	1.04	1.07	0.89
AHR24B	-	1.00	0.99	0.96
AHV24B	-	1.02	1.01	0.92
AHV30B	-	1.01	1.01	0.93
AHV36C	-	1.03	1.06	0.90
MV12B	FC/MC24B	1.03	1.06	0.90
MV12B	FC/MC35B	1.03	1.04	0.91
MV12B	FC/MC43B	1.04	1.07	0.92
MV12D	FC/MC48D	1.04	1.09	0.89

Air Handlers	Coils	T.C.	S.C.	KW
MX12BN21	FC/MC24B	1.03	1.06	0.91
MX12BN21	FC/MC35B	1.03	1.04	0.93
MX12BN21	FC/MC43B	1.04	1.07	0.92
MX12DN21	FC/MC48D	1.04	1.05	0.89
MX16CN21	FC/MC35C	1.03	1.04	0.94
MX16CN21	FC/MC43C	1.03	1.06	0.93
MX16CN21	FC/MC48C	1.04	1.06	0.92

Furnaces	Coils	T.C.	S.C.	KW
T*(8,L)C*A12	FC/MC/PC24A	1.02	1.02	0.92
T*(8,L)C*A12	FC/MC/PC32A	1.03	1.04	0.93
T*(8,L)C*A12	FC/MC/PC37A	1.04	1.07	0.92
T*(8,L)C*A12	HD24	1.04	1.04	0.92
T*(8,L)C*A12	HD36	1.01	1.00	0.93
T*(8,L)C*A12	UC24A	1.03	1.04	0.93
T*(8,L)C*B12	FC/MC/PC24B	1.02	1.02	0.90
T*(8,L)C*B12	FC/MC/PC35B	1.03	1.04	0.91
T*(8,L)C*B12	FC/MC/PC43B	1.04	1.07	0.92
T*(8,L)C*B12	HD24	1.04	1.04	0.91
T*(8,L)C*B12	HD36	1.00	0.99	0.92
T*(8,L)C*B12	UC24B	1.03	1.04	0.91
T*(8,L)C*C16	FC/MC/PC35C	1.03	1.04	0.91

Furnaces	Coils	T.C.	S.C.	KW
T*(8,L)C*C16	FC/MC/PC43C	1.04	1.07	0.91
T*(8,L)C*C16	FC/MC/PC48C	1.04	1.05	0.89
T*(8,L)C*C16	HD36	1.03	1.03	0.91
T*(8,L)C*C16	UC48C	1.03	1.05	0.90
T*(8,L)C*C20	FC/MC/PC35C	1.03	1.04	0.90
T*(8,L)C*C20	FC/MC/PC43C	1.03	1.04	0.90
T*(8,L)C*C20	FC/MC/PC48C	1.04	1.04	0.91
T*(8,L)C*C20	HD36	1.01	0.99	0.89
T*(8,L)C*C20	UC48C	1.03	1.03	0.91
T*(8,L)V*A12	FC/MC/PC24A	1.02	1.02	0.92
T*(8,L)V*A12	FC/MC/PC32A	1.03	1.04	0.93
T*(8,L)V*A12	FC/MC/PC37A	1.04	1.07	0.92
T*(8,L)V*A12	HD24	1.04	1.04	0.92
T*(8,L)V*A12	HD36	1.01	1.00	0.93
T*(8,L)V*A12	UC24A	1.03	1.04	0.93
T*(8,L)V*B12	FC/MC/PC24B	1.02	1.02	0.90
T*(8,L)V*B12	FC/MC/PC35B	1.03	1.04	0.91
T*(8,L)V*B12	FC/MC/PC43B	1.04	1.07	0.92
T*(8,L)V*B12	HD24	1.04	1.04	0.91
T*(8,L)V*B12	HD36	1.00	0.99	0.92
T*(8,L)V*B12	UC24B	1.03	1.04	0.91
T*(8,L)V*C16	FC/MC/PC35C	1.03	1.04	0.91
T*(8,L)V*C16	FC/MC/PC43C	1.04	1.07	0.91
T*(8,L)V*C16	FC/MC/PC48C	1.04	1.05	0.89
T*(8,L)V*C16	HD36	1.03	1.03	0.91
T*(8,L)V*C16	UC48C	1.03	1.05	0.90
T*(8,L)V*C20	FC/MC/PC35C	1.03	1.04	0.90
T*(8,L)V*C20	FC/MC/PC43C	1.03	1.04	0.90
T*(8,L)V*C20	FC/MC/PC48C	1.04	1.04	0.91
T*(8,L)V*C20	HD36	1.01	0.99	0.89
T*(8,L)V*C20	UC48C	1.03	1.03	0.91
T*9(C,V)*B12	FC/MC/PC24B	1.03	1.05	0.93
T*9(C,V)*B12	FC/MC/PC35B	1.03	1.04	0.93
T*9(C,V)*B12	FC/MC/PC43B	1.04	1.07	0.92
T*9(C,V)*B12	HD24	1.04	1.04	0.92
T*9(C,V)*B12	HD36	1.01	1.00	0.93
T*9(C,V)*B12	UC24B	1.03	1.04	0.93
T*9(C,V)*C16	FC/MC/PC35C	1.04	1.10	0.92
T*9(C,V)*C16	FC/MC/PC43C	1.04	1.07	0.92
T*9(C,V)*C16	FC/MC/PC48C	1.04	1.10	0.91
T*9(C,V)*C16	HD36	1.02	1.00	0.92
T*9(C,V)*C16	UC48C	1.04	1.12	0.92
T*9(C,V)*C20	FC/MC/PC35C	1.03	1.04	0.91
T*9(C,V)*C20	FC/MC/PC43C	1.04	1.12	0.91
T*9(C,V)*C20	FC/MC/PC48C	1.04	1.10	0.91
T*9(C,V)*C20	HD36	1.01	0.99	0.91
T*9(C,V)*C20	UC48C	1.04	1.12	0.92
T*9V*A10	FC/MC/PC24A	1.01	1.01	0.97
T*9V*A10	FC/MC/PC32A	1.02	1.02	0.95
T*9V*A10	FC/MC/PC37A	1.03	1.06	0.96
TM8X060A12MP11	FC/MC/PC24A	1.01	1.01	0.91
TM8X060A12MP11	FC/MC/PC32A	1.03	1.04	0.93
TM8X060A12MP11	FC/MC/PC37A	1.03	1.06	0.93
TM8X060A12MP11	HD24	1.04	1.04	0.89
TM8X060A12MP11	HD36	1.02	1.00	0.92
TM8X060A12MP11	UC24A	1.02	1.02	0.92

Furnaces	Coils	T.C.	S.C.	KW
TM8X080B12MP11	FC/MC/PC24B	1.02	1.02	0.92
TM8X080B12MP11	FC/MC/PC35B	1.03	1.04	0.91
TM8X080B12MP11	FC/MC/PC43B	1.04	1.07	0.92
TM8X080B12MP11	HD24	1.04	1.08	0.89
TM8X080B12MP11	HD36	1.03	1.04	0.90
TM8X080B12MP11	UC24B	1.03	1.04	0.91
TM8X080C16MP11	FC/MC/PC35C	1.02	1.03	0.95
TM8X080C16MP11	FC/MC/PC43C	1.03	1.06	0.95
TM8X080C16MP11	FC/MC/PC48C	1.04	1.06	0.96
TM8X080C16MP11	HD36	1.03	1.04	0.90
TM8X080C16MP11	UC48C	1.02	1.04	0.95
TM8X100C16MP11	FC/MC/PC35C	1.02	1.03	0.95
TM8X100C16MP11	FC/MC/PC43C	1.03	1.06	0.95
TM8X100C16MP11	FC/MC/PC48C	1.04	1.06	0.96
TM8X100C16MP11	HD36	1.03	1.04	0.90
TM8X100C16MP11	UC48C	1.02	1.04	0.95
TM8X100C20MP11	FC/MC/PC35C	1.02	1.02	0.97
TM8X100C20MP11	FC/MC/PC43C	1.03	1.06	0.96
TM8X100C20MP11	FC/MC/PC48C	1.04	1.05	0.96
TM8X100C20MP11	HD36	1.03	1.04	0.90
TM8X100C20MP11	UC48C	1.02	1.03	0.97
TM8X120C20MP11	FC/MC/PC35C	1.02	1.02	0.97
TM8X120C20MP11	FC/MC/PC43C	1.03	1.06	0.96
TM8X120C20MP11	FC/MC/PC48C	1.04	1.05	0.96
TM8X120C20MP11	HD36	1.03	1.04	0.90
TM8X120C20MP11	UC48C	1.02	1.03	0.97
TM9E040A10MP11	FC/MC/PC24A	1.02	1.04	1.00
TM9E040A10MP11	FC/MC/PC32A	1.01	1.02	0.99
TM9E040A10MP11	FC/MC/PC37A	1.03	1.05	0.98
TM9E040A10MP11	UC24A	1.02	1.02	1.00
TM9E060B12MP11	FC/MC/PC24B	1.03	1.04	0.96
TM9E060B12MP11	FC/MC/PC35B	1.02	1.03	0.95
TM9E060B12MP11	FC/MC/PC43B	1.03	1.06	0.95
TM9E060B12MP11	HD24	1.04	1.04	0.89
TM9E060B12MP11	HD36	1.02	1.01	0.90
TM9E060B12MP11	UC24B	1.02	1.02	0.95
TM9E080B12MP11	FC/MC/PC24B	1.03	1.04	0.96
TM9E080B12MP11	FC/MC/PC35B	1.02	1.03	0.95
TM9E080B12MP11	FC/MC/PC43B	1.03	1.06	0.95
TM9E080B12MP11	HD24	1.04	1.04	0.89
TM9E080B12MP11	HD36	1.02	1.01	0.90
TM9E080B12MP11	UC24B	1.02	1.02	0.95
TM9E080C16MP11	FC/MC/PC35C	1.02	1.02	0.97
TM9E080C16MP11	FC/MC/PC43C	1.03	1.05	0.98
TM9E080C16MP11	FC/MC/PC48C	1.03	1.05	0.97
TM9E080C16MP11	HD36	1.00	0.98	0.88
TM9E080C16MP11	UC48C	1.02	1.03	0.97
TM9E100C16MP11	FC/MC/PC35C	1.02	1.02	0.97
TM9E100C16MP11	FC/MC/PC43C	1.03	1.05	0.98
TM9E100C16MP11	FC/MC/PC48C	1.03	1.05	0.97
TM9E100C16MP11	HD36	1.00	0.98	0.88
TM9E100C16MP11	UC48C	1.02	1.03	0.97
TM9E100C20MP11	FC/MC/PC35C	1.03	1.03	0.94
TM9E100C20MP11	FC/MC/PC43C	1.03	1.06	0.93
TM9E100C20MP11	FC/MC/PC48C	1.04	1.06	0.92
TM9E100C20MP11	HD36	1.03	1.03	0.91

Furnaces	Coils	T.C.	S.C.	KW
TM9E100C20MP11	UC48C	1.03	1.04	0.94
TM9E120D20MP11	FC/MC/PC48D	1.04	1.06	0.92
TM9E120D20MP11	UC48D	1.03	1.04	0.93
TM9X040A10MP11	FC/MC/PC24A	1.02	1.04	1.00
TM9X040A10MP11	FC/MC/PC32A	1.01	1.02	0.99
TM9X040A10MP11	FC/MC/PC37A	1.03	1.05	0.98
TM9X040A10MP11	UC24A	1.02	1.02	1.00
TM9X060B12MP11	FC/MC/PC24B	1.03	1.04	0.96
TM9X060B12MP11	FC/MC/PC35B	1.02	1.03	0.95
TM9X060B12MP11	FC/MC/PC43B	1.03	1.06	0.95
TM9X060B12MP11	HD24	1.04	1.04	0.89
TM9X060B12MP11	HD36	1.02	1.01	0.90
TM9X060B12MP11	UC24B	1.02	1.02	0.95
TM9X080B12MP11	FC/MC/PC24B	1.03	1.04	0.96
TM9X080B12MP11	FC/MC/PC35B	1.02	1.03	0.95
TM9X080B12MP11	FC/MC/PC43B	1.03	1.06	0.95
TM9X080B12MP11	HD24	1.04	1.04	0.89
TM9X080B12MP11	HD36	1.02	1.01	0.90
TM9X080B12MP11	UC24B	1.02	1.02	0.95
TM9X080C16MP11	FC/MC/PC35C	1.02	1.02	0.97
TM9X080C16MP11	FC/MC/PC43C	1.03	1.05	0.98
TM9X080C16MP11	FC/MC/PC48C	1.03	1.05	0.97
TM9X080C16MP11	HD36	1.00	0.98	0.88
TM9X080C16MP11	UC48C	1.02	1.03	0.97
TM9X100C16MP11	FC/MC/PC35C	1.02	1.02	0.97
TM9X100C16MP11	FC/MC/PC43C	1.03	1.05	0.98
TM9X100C16MP11	FC/MC/PC48C	1.03	1.05	0.97
TM9X100C16MP11	HD36	1.00	0.98	0.88
TM9X100C16MP11	UC48C	1.02	1.03	0.97
TM9X100C20MP11	FC/MC/PC35C	1.03	1.03	0.94
TM9X100C20MP11	FC/MC/PC43C	1.03	1.06	0.93
TM9X100C20MP11	FC/MC/PC48C	1.04	1.06	0.92
TM9X100C20MP11	HD36	1.03	1.03	0.91
TM9X100C20MP11	UC48C	1.03	1.04	0.94
TM9X120D20MP11	FC/MC/PC48D	1.04	1.06	0.92
TM9X120D20MP11	UC48D	1.03	1.04	0.93
TMLX060A12MP11	FC/MC/PC24A	1.01	1.01	0.91
TMLX060A12MP11	FC/MC/PC32A	1.03	1.04	0.93
TMLX060A12MP11	FC/MC/PC37A	1.03	1.06	0.93
TMLX060A12MP11	HD24	1.04	1.04	0.89
TMLX060A12MP11	HD36	1.02	1.00	0.92
TMLX060A12MP11	UC24A	1.02	1.02	0.92
TMLX080B12MP11	FC/MC/PC24B	1.02	1.02	0.92
TMLX080B12MP11	FC/MC/PC35B	1.03	1.04	0.91
TMLX080B12MP11	FC/MC/PC43B	1.04	1.07	0.92
TMLX080B12MP11	HD24	1.04	1.08	0.89
TMLX080B12MP11	HD36	1.03	1.04	0.90
TMLX080B12MP11	UC24B	1.03	1.04	0.91
TMLX080C16MP11	FC/MC/PC35C	1.02	1.03	0.95
TMLX080C16MP11	FC/MC/PC43C	1.03	1.06	0.95
TMLX080C16MP11	FC/MC/PC48C	1.04	1.06	0.96
TMLX080C16MP11	HD36	1.03	1.04	0.90
TMLX080C16MP11	UC48C	1.02	1.04	0.95
TMLX100C16MP11	FC/MC/PC35C	1.02	1.03	0.95

Furnaces	Coils	T.C.	S.C.	KW
TMLX100C16MP11	FC/MC/PC43C	1.03	1.06	0.95
TMLX100C16MP11	FC/MC/PC48C	1.04	1.06	0.96
TMLX100C16MP11	HD36	1.03	1.04	0.90
TMLX100C16MP11	UC48C	1.02	1.04	0.95
TMLX100C20MP11	FC/MC/PC35C	1.02	1.02	0.97
TMLX100C20MP11	FC/MC/PC43C	1.03	1.06	0.96
TMLX100C20MP11	FC/MC/PC48C	1.04	1.05	0.96
TMLX100C20MP11	HD36	1.03	1.04	0.90
TMLX100C20MP11	UC48C	1.02	1.03	0.97
TMLX120C20MP11	FC/MC/PC35C	1.02	1.02	0.97
TMLX120C20MP11	FC/MC/PC43C	1.03	1.06	0.96
TMLX120C20MP11	FC/MC/PC48C	1.04	1.05	0.96
TMLX120C20MP11	HD36	1.03	1.04	0.90
TMLX120C20MP11	UC48C	1.02	1.03	0.97
Y*(8,L)C*A12	FC/MC/PC24A	1.02	1.02	0.92
Y*(8,L)C*A12	FC/MC/PC32A	1.03	1.04	0.93
Y*(8,L)C*A12	FC/MC/PC37A	1.04	1.07	0.92
Y*(8,L)C*A12	HD24	1.04	1.04	0.92
Y*(8,L)C*A12	HD36	1.01	1.00	0.93
Y*(8,L)C*A12	UC24A	1.03	1.04	0.93
Y*(8,L)C*B12	FC/MC/PC24B	1.02	1.02	0.90
Y*(8,L)C*B12	FC/MC/PC35B	1.03	1.04	0.91
Y*(8,L)C*B12	FC/MC/PC43B	1.04	1.07	0.92
Y*(8,L)C*B12	HD24	1.04	1.04	0.91
Y*(8,L)C*B12	HD36	1.00	0.99	0.92
Y*(8,L)C*B12	UC24B	1.03	1.04	0.91
Y*(8,L)C*C16	FC/MC/PC35C	1.03	1.04	0.91
Y*(8,L)C*C16	FC/MC/PC43C	1.04	1.07	0.91
Y*(8,L)C*C16	FC/MC/PC48C	1.04	1.05	0.89
Y*(8,L)C*C16	HD36	1.03	1.03	0.91
Y*(8,L)C*C16	UC48C	1.03	1.05	0.90
Y*(8,L)C*C20	FC/MC/PC35C	1.03	1.04	0.90
Y*(8,L)C*C20	FC/MC/PC43C	1.03	1.04	0.90
Y*(8,L)C*C20	FC/MC/PC48C	1.04	1.04	0.91
Y*(8,L)C*C20	HD36	1.01	0.99	0.89
Y*(8,L)C*C20	UC48C	1.03	1.03	0.91
Y*9C*B12	FC/MC/PC24B	1.03	1.05	0.93
Y*9C*B12	FC/MC/PC35B	1.03	1.04	0.93
Y*9C*B12	FC/MC/PC43B	1.04	1.07	0.92
Y*9C*B12	HD24	1.04	1.04	0.92
Y*9C*B12	HD36	1.01	1.00	0.93
Y*9C*B12	UC24B	1.03	1.04	0.93
Y*9C*C16	FC/MC/PC35C	1.04	1.10	0.92
Y*9C*C16	FC/MC/PC43C	1.04	1.07	0.92
Y*9C*C16	FC/MC/PC48C	1.04	1.10	0.91
Y*9C*C16	HD36	1.02	1.00	0.92
Y*9C*C16	UC48C	1.04	1.12	0.92
Y*9C*C20	FC/MC/PC35C	1.03	1.04	0.91
Y*9C*C20	FC/MC/PC43C	1.04	1.12	0.91
Y*9C*C20	FC/MC/PC48C	1.04	1.10	0.91
Y*9C*C20	HD36	1.01	0.99	0.91
Y*9C*C20	UC48C	1.04	1.12	0.92



## PERFORMANCE DATA - 2 TON - ALUMINUM MATCHED SYSTEMS

COOLING PERFORMANCE DATA																
AIR CONDITIONER MODEL NO.		TCHD24S41S4														
INDOOR COIL MODEL NO.		CF/CM/CU30B														
AIR TEMP. ENTERING OUTDOOR UNIT (°F)	ID CFM	600					800					1000				
	ID DB (°F)	80	80	75	80	80	80	80	75	80	80	80	80	75	80	80
	ID WB (°F)	57	62	62	67	72	57	62	62	67	72	57	62	62	67	72
55	T.C.	21.8	24.0	29.9	26.3	27.2	23.4	25.0	27.8	26.8	27.9	25.0	26.0	25.7	27.2	28.6
	S.C.	21.0	19.3	16.8	16.4	13.5	22.5	21.6	18.5	17.7	14.3	24.0	23.9	20.3	19.1	15.1
	K.W.	1.39	1.39	1.74	1.43	1.38	1.47	1.47	1.63	1.49	1.47	1.54	1.54	1.54	1.54	1.54
65	T.C.	24.3	23.3	26.2	25.5	27.1	24.4	24.3	25.6	26.2	27.9	24.4	25.3	25.1	26.9	28.7
	S.C.	20.8	19.1	16.5	16.3	13.4	22.2	21.4	18.4	17.9	14.4	23.5	23.8	20.2	19.5	15.4
	K.W.	1.77	1.52	1.70	1.54	1.51	1.72	1.60	1.69	1.60	1.59	1.67	1.68	1.67	1.67	1.68
75	T.C.	26.9	22.6	22.5	24.7	27.0	25.4	23.6	23.5	25.6	27.9	23.8	24.6	24.4	26.6	28.8
	S.C.	20.7	18.9	16.2	16.2	13.4	21.8	21.3	18.2	18.0	14.5	23.0	23.6	20.2	19.9	15.6
	K.W.	2.15	1.65	1.65	1.65	1.64	1.97	1.73	1.73	1.73	1.72	1.80	1.80	1.80	1.80	1.80
85	T.C.	23.2	21.7	21.6	23.9	26.1	23.1	22.7	22.5	24.8	26.9	23.1	23.7	23.4	25.7	27.7
	S.C.	19.7	18.5	15.9	15.8	13.1	21.0	20.6	17.9	17.8	14.2	22.3	22.8	19.9	19.7	15.4
	K.W.	2.09	1.83	1.83	1.83	1.80	2.03	1.91	1.91	1.91	1.89	1.97	1.98	1.98	1.98	1.97
95	T.C.	19.4	20.7	20.8	23.1	25.2	20.9	21.7	21.6	24.0	25.9	22.4	22.8	22.4	24.9	26.7
	S.C.	18.7	18.0	15.5	15.5	12.7	20.2	20.0	17.5	17.5	14.0	21.6	22.0	19.6	19.5	15.2
	K.W.	2.02	2.02	2.02	2.02	1.97	2.09	2.09	2.10	2.09	2.06	2.15	2.16	2.16	2.16	2.15
105	T.C.	18.4	19.4	19.4	21.7	23.7	19.8	20.4	20.2	22.5	24.5	21.2	21.4	21.0	23.4	25.2
	S.C.	17.7	17.4	14.8	14.9	12.2	19.1	19.0	16.8	16.9	13.4	20.4	20.6	18.9	18.9	14.6
	K.W.	2.34	2.33	2.32	2.35	2.31	2.41	2.40	2.39	2.41	2.38	2.49	2.49	2.46	2.48	2.46
115	T.C.	17.4	18.1	18.1	20.4	22.3	18.7	19.1	18.9	21.1	23.0	20.1	20.1	19.6	21.9	23.7
	S.C.	16.8	16.8	14.1	14.4	11.7	18.0	18.1	16.2	16.4	12.9	19.3	19.4	18.2	18.3	14.1
	K.W.	2.66	2.62	2.60	2.68	2.64	2.73	2.72	2.68	2.74	2.70	2.80	2.80	2.74	2.79	2.76
120	T.C.	16.4	16.9	16.8	19.0	20.9	17.7	17.8	17.5	19.7	21.6	18.9	18.8	18.2	20.4	22.2
	S.C.	15.8	16.1	13.5	13.8	11.1	17.0	17.1	15.5	15.8	12.3	18.2	18.1	17.5	17.8	13.5
	K.W.	2.97	2.92	2.90	3.00	2.96	3.05	3.03	2.96	3.06	3.01	3.12	3.12	3.04	3.11	3.06

NOTE: ALL CAPACITIES INCLUDE INDOOR FAN HEAT. KW VALUES ARE FOR THE SYSTEM (OUTDOOR + INDOOR).

Green shaded cells are ACCA (TVA) conditions.

Blue shaded cells are AHRI conditions.

## Multipliers for determining the performance with other indoor sections.

NOTE: For dry bulb temperatures different than those listed (between 73-87 °F), sensible capacity increases by 1060 BTUH per 1000 CFM per degree above the listed temperature and decreases by 1060 BTUH per 1000 CFM per degree below the listed temperature.

Air Handlers	Coils	T.C.	S.C.	KW
MVC16CN21	CF/CM36C	0.98	1.10	0.92
MVC16CN21	CF/CM30C	0.98	1.10	0.92
MVC12CN21	CF/CM36C	0.98	1.10	0.90
MVC12CN21	CF/CM30C	0.98	1.07	0.92
MVC12BN21	CF/CM36B	0.98	1.09	0.93
MVC12BN21	CF/CM30B	0.98	1.07	0.93
MVC08BN21	CF/CM36B	0.98	1.05	0.93
MVC08BN21	CF/CM30B	0.98	1.04	0.93
ME16CN21	CF/CM36C	0.98	1.10	0.92
ME16CN21	CF/CM30C	0.98	1.10	0.92
ME14DN21	CF/CM36D	0.99	1.11	0.91
ME12CN21	CF/CM36C	0.98	1.09	0.92
ME12CN21	CF/CM30C	0.98	1.07	0.93
ME12BN21	CF/CM36B	0.98	1.10	0.92
ME12BN21	CF/CM30B	0.98	1.07	0.92
ME08BN21	CF/CM36B	0.98	1.05	0.93

Air Handlers	Coils	T.C.	S.C.	KW
ME08BN21	CF/CM30B	0.98	1.04	0.93
AVC36CX21	—	0.98	1.10	0.92
AVC36BX21	—	0.98	1.02	0.93
AVC30BX21	—	0.98	1.02	0.93
AP30BX21	—	0.98	1.08	0.98
AE36CX21	—	0.98	1.05	0.92
AE36BX21	—	0.98	1.08	0.93
AE30BX21	—	0.98	1.09	0.98
—	CF/CM36D	0.98	1.06	0.98
—	CF/CM/CU36C	0.98	1.06	0.98
—	CF/CM/CU36B	0.98	1.06	0.98
—	CF/CM36A	0.98	1.06	0.98
—	CF/CM30C	0.98	1.04	0.98
—	CF/CM/CU30A	0.98	1.04	0.98
—	CF/CM/CU30B	1.00	1.00	1.00

Furnaces	Coils	T.C.	S.C.	KW
TM9V040A10MP12C	CF/CM/CU30A	0.98	0.95	0.98
TM8X060A12MP11	CF/CM/CU30A	0.98	0.98	0.98
TMLX060A12MP11	CF/CM/CU30A	0.98	0.98	0.98
TM8Y060A12MP11	CF/CM/CU30A	0.98	0.95	0.98
TPLC060A12MP13C	CF/CM/CU30A	0.98	0.95	0.98
YPLC060A12MP13C	CF/CM/CU30A	0.98	0.95	0.98
TM9E040A10MP11	CF/CM/CU30A	0.98	0.95	0.98
TM9Y040A10MP11	CF/CM/CU30A	0.98	0.95	0.98
TM8V060A12MP12C	CF/CM/CU30A	0.98	0.95	0.98
TMLV060A12MP12C	CF/CM/CU30A	0.98	0.95	0.98
TM9V080B12MP12C	CF/CM/CU30B	0.98	0.99	0.90
TP9C080B12MP13C	CF/CM/CU30B	0.98	0.99	0.90
YP9C080B12MP13C	CF/CM/CU30B	0.98	0.99	0.90
TM9V040A10MP12C	CF/CM/CU30B	0.98	0.99	0.90
TM9E040A10MP11	CF/CM/CU30B	0.98	0.98	0.92
TM8Y060A12MP11	CF/CM/CU30B	0.98	0.98	0.92
TMLV080B12MP12C	CF/CM/CU30B	0.98	0.98	0.92
TPLC080B12MP13C	CF/CM/CU30B	0.98	1.03	0.90
TL8E060A12UH11	CF/CM/CU30A	0.99	0.99	0.97
TL8E060A12UH11	CF/CM/CU30B	0.99	1.03	0.97
TL8E060A12UH11	CF/CM/CU36B	0.99	1.04	0.97
TL8E060A12UH11	CF/CM36A	0.99	0.98	0.97
TL8E080C16UH11	CF/CM30C	0.99	1.21	0.97
TL9E060B12UH11	CF/CM/CU30B	0.99	1.01	0.97
TL9E060B12UH11	CF/CM/CU36B	0.99	1.01	0.97
TL9E060B12UH11	CF/CM/CU36C	0.99	1.04	0.97
TL9E060B12UH11	CF/CM30C	0.99	1.03	0.97
TL9E080C16UH11	CF/CM/CU36C	0.99	1.20	0.97
TL9E080C16UH11	CF/CM30C	0.99	1.18	0.97
TL9E080C16UH11	CF/CM36D	0.99	1.20	0.97
TM8E040A12MP11	CF/CM/CU30A	0.99	1.06	0.97
TM8E040A12MP11	CF/CM/CU30B	0.99	1.09	0.97
TM8E040A12MP11	CF/CM/CU36B	0.99	1.10	0.97
TM8E040A12MP11	CF/CM36A	0.99	1.06	0.97
TM8E060A12MP11	CF/CM/CU30A	0.99	1.06	0.97
TM8E060A12MP11	CF/CM/CU30B	0.99	1.07	0.97
TM8E060A12MP11	CF/CM/CU36B	0.99	1.14	0.97
TM8E060A12MP11	CF/CM36A	0.99	1.06	0.97
TM8E080B12MP11	CF/CM/CU30B	0.99	1.05	0.97
TM8E080B12MP11	CF/CM/CU36B	0.99	1.06	0.97
TM8E080B12MP11	CF/CM/CU36C	0.99	1.07	0.97
TM8E080B12MP11	CF/CM30C	0.99	1.07	0.97
TM8E080C16MP11	CF/CM/CU36C	0.99	1.14	0.97
TM8E080C16MP11	CF/CM30C	0.99	1.12	0.97
TM8E080C16MP11	CF/CM36D	0.99	1.14	0.97
TM8E100B12MP11	CF/CM/CU30B	0.99	1.15	0.97
TM8E100B12MP11	CF/CM/CU36B	0.99	1.06	0.97
TM8E100B12MP11	CF/CM/CU36C	0.99	1.06	0.97
TM8E100B12MP11	CF/CM30C	0.99	1.15	0.97
TM8E100C16MP11	CF/CM/CU36C	0.99	1.13	0.97
TM8E100C16MP11	CF/CM30C	0.99	1.11	0.97
TM8E100C16MP11	CF/CM36D	0.99	1.13	0.97
TM8E120C16MP11	CF/CM/CU36C	0.99	1.14	0.95
TM8E120C16MP11	CF/CM30C	0.99	1.10	0.97
TM8E120C16MP11	CF/CM36D	0.99	1.14	0.95
TM8V060A12MP12C	CF/CM/CU30A	0.98	0.97	1.03

Furnaces	Coils	T.C.	S.C.	KW
TM8V060A12MP12C	CF/CM/CU30B	0.98	1.03	0.95
TM8V060A12MP12C	CF/CM/CU36B	0.98	1.04	1.01
TM8V060A12MP12C	CF/CM36A	0.98	1.06	0.95
TM8V080B12MP12C	CF/CM/CU30B	0.98	1.01	0.97
TM8V080B12MP12C	CF/CM/CU36B	0.98	1.02	1.03
TM8V080B12MP12C	CF/CM/CU36C	0.98	1.02	1.03
TM8V080B12MP12C	CF/CM30C	0.98	1.06	1.03
TM8V080C16MP12C	CF/CM/CU36C	0.98	1.18	0.99
TM8V080C16MP12C	CF/CM30C	0.98	1.13	1.03
TM8V080C16MP12C	CF/CM36D	0.99	1.14	1.03
TM8V100C16MP12C	CF/CM/CU36C	0.98	1.18	0.99
TM8V100C16MP12C	CF/CM30C	0.98	1.13	1.03
TM8V100C16MP12C	CF/CM36D	0.99	1.14	1.03
TM8X060A12MP11	CF/CM/CU30A	0.98	0.97	1.03
TM8X060A12MP11	CF/CM/CU30B	0.98	1.00	0.97
TM8X060A12MP11	CF/CM/CU36B	0.98	1.01	1.01
TM8X060A12MP11	CF/CM36A	0.98	1.05	0.95
TM8X080B12MP11	CF/CM/CU30B	0.98	1.09	0.95
TM8X080B12MP11	CF/CM/CU36B	0.98	1.10	1.01
TM8X080B12MP11	CF/CM/CU36C	0.98	1.04	0.99
TM8X080B12MP11	CF/CM30C	0.98	1.09	1.01
TM8X080C16MP11	CF/CM/CU36C	0.98	1.04	0.99
TM8X080C16MP11	CF/CM30C	0.98	1.01	1.04
TM8X080C16MP11	CF/CM36D	0.99	1.05	1.03
TM8X100C16MP11	CF/CM/CU36C	0.98	1.04	0.99
TM8X100C16MP11	CF/CM30C	0.98	1.01	1.04
TM8X100C16MP11	CF/CM36D	0.99	1.05	1.03
TM8Y060A12MP11	CF/CM/CU30A	0.98	0.97	1.03
TM8Y060A12MP11	CF/CM/CU30B	0.98	1.00	0.97
TM8Y060A12MP11	CF/CM/CU36B	0.98	1.01	1.01
TM8Y060A12MP11	CF/CM36A	0.98	1.05	0.95
TM8Y080B12MP11	CF/CM/CU30B	0.98	1.09	0.95
TM8Y080B12MP11	CF/CM/CU36B	0.98	1.10	1.01
TM8Y080B12MP11	CF/CM/CU36C	0.98	1.04	0.99
TM8Y080B12MP11	CF/CM30C	0.98	1.09	1.01
TM8Y080C16MP11	CF/CM/CU36C	0.98	1.04	0.99
TM8Y080C16MP11	CF/CM30C	0.98	1.01	1.04
TM8Y080C16MP11	CF/CM36D	0.99	1.05	1.03
TM8Y100C16MP11	CF/CM/CU36C	0.98	1.04	0.99
TM8Y100C16MP11	CF/CM30C	0.98	1.01	1.04
TM8Y100C16MP11	CF/CM36D	0.99	1.05	1.03
TM9E040A10MP11	CF/CM/CU30A	0.98	1.00	1.03
TM9E040A10MP11	CF/CM/CU30B	0.98	1.02	1.01
TM9E040A10MP11	CF/CM/CU36B	0.98	1.03	1.08
TM9E040A10MP11	CF/CM36A	0.98	1.01	0.99
TM9E040A10MP12	CF/CM/CU30A	0.98	0.95	0.97
TM9E040A10MP12	CF/CM/CU30B	0.99	1.01	0.99
TM9E040A10MP12	CF/CM/CU36B	0.99	0.98	0.97
TM9E040A10MP12	CF/CM36A	0.99	1.02	0.99
TM9E060A10MP12	CF/CM/CU30A	0.99	1.01	0.99
TM9E060A10MP12	CF/CM/CU30B	0.99	1.03	0.97
TM9E060A10MP12	CF/CM/CU36B	0.99	1.03	0.97
TM9E060A10MP12	CF/CM36A	0.99	1.02	0.99
TM9E060B12MP11	CF/CM/CU30B	0.98	1.01	0.97
TM9E060B12MP11	CF/CM/CU36B	0.98	1.02	1.03
TM9E060B12MP11	CF/CM/CU36C	0.98	1.04	1.01

Furnaces	Coils	T.C.	S.C.	KW
TM9E060B12MP11	CF/CM30C	0.98	1.01	1.03
TM9E060B12MP12	CF/CM/CU30B	0.99	1.07	0.97
TM9E060B12MP12	CF/CM/CU36B	0.99	1.07	0.97
TM9E060B12MP12	CF/CM/CU36C	0.99	1.07	0.97
TM9E060B12MP12	CF/CM30C	0.99	1.07	0.97
TM9E080B12MP11	CF/CM/CU30B	0.98	1.03	0.95
TM9E080B12MP11	CF/CM/CU36B	0.98	1.04	1.01
TM9E080B12MP11	CF/CM/CU36C	0.98	1.04	1.01
TM9E080B12MP11	CF/CM30C	0.98	1.03	1.01
TM9E080B12MP12	CF/CM/CU30B	0.99	1.10	0.97
TM9E080B12MP12	CF/CM/CU36B	0.99	1.12	0.97
TM9E080B12MP12	CF/CM/CU36C	0.99	1.14	0.97
TM9E080B12MP12	CF/CM30C	0.99	1.11	0.97
TM9E080C16MP11	CF/CM/CU36C	0.98	0.97	1.01
TM9E080C16MP11	CF/CM30C	0.98	0.95	1.03
TM9E080C16MP11	CF/CM36D	0.98	0.97	1.02
TM9E080C16MP12	CF/CM/CU36C	0.99	1.07	0.97
TM9E080C16MP12	CF/CM30C	0.99	1.07	0.97
TM9E080C16MP12	CF/CM36D	0.99	1.07	0.97
TM9E100C16MP11	CF/CM/CU36C	0.97	0.98	1.03
TM9E100C16MP11	CF/CM30C	0.96	0.94	1.04
TM9E100C16MP11	CF/CM36D	0.97	0.98	1.03
TM9E100C16MP12	CF/CM/CU36C	0.99	1.13	0.97
TM9E100C16MP12	CF/CM30C	0.99	1.10	0.97
TM9E100C16MP12	CF/CM36D	0.99	1.13	0.97
TM9V040A10MP12C	CF/CM/CU30A	0.98	0.96	1.03
TM9V040A10MP12C	CF/CM/CU30B	0.98	0.97	0.99
TM9V040A10MP12C	CF/CM/CU36B	0.99	1.01	0.99
TM9V040A10MP12C	CF/CM36A	0.98	1.00	0.97
TM9V060B12MP12C	CF/CM/CU30B	0.98	1.03	0.97
TM9V060B12MP12C	CF/CM/CU36B	0.99	1.04	0.97
TM9V060B12MP12C	CF/CM/CU36C	0.98	1.04	1.01
TM9V060B12MP12C	CF/CM30C	0.98	1.03	1.03
TM9V080B12MP12C	CF/CM/CU30B	0.98	1.10	0.95
TM9V080B12MP12C	CF/CM/CU36B	0.99	1.12	0.95
TM9V080B12MP12C	CF/CM/CU36C	0.98	1.15	1.01
TM9V080B12MP12C	CF/CM30C	0.98	1.05	1.01
TM9V080C16MP12C	CF/CM/CU36C	0.98	1.23	1.01
TM9V080C16MP12C	CF/CM30C	0.98	1.20	1.01
TM9V080C16MP12C	CF/CM36D	0.99	1.23	1.03
TM9V100C16MP12C	CF/CM/CU36C	0.98	1.19	0.99
TM9V100C16MP12C	CF/CM30C	0.98	1.15	1.03
TM9V100C16MP12C	CF/CM36D	0.99	1.15	1.05
TM9Y040A10MP11	CF/CM/CU30A	0.98	1.00	1.03
TM9Y040A10MP11	CF/CM/CU30B	0.98	1.02	1.01
TM9Y040A10MP11	CF/CM/CU36B	0.98	1.03	1.08
TM9Y040A10MP11	CF/CM36A	0.98	1.01	0.99
TM9Y060B12MP11	CF/CM/CU30B	0.98	1.01	0.97
TM9Y060B12MP11	CF/CM/CU36B	0.98	1.02	1.03
TM9Y060B12MP11	CF/CM/CU36C	0.98	1.04	1.01
TM9Y060B12MP11	CF/CM30C	0.98	1.01	1.03
TM9Y080B12MP11	CF/CM/CU30B	0.98	1.03	0.95
TM9Y080B12MP11	CF/CM/CU36B	0.98	1.04	1.01
TM9Y080B12MP11	CF/CM/CU36C	0.98	1.04	1.01
TM9Y080B12MP11	CF/CM30C	0.98	1.03	1.01
TM9Y080C16MP11	CF/CM/CU36C	0.98	0.97	1.01

Furnaces	Coils	T.C.	S.C.	KW
TM9Y080C16MP11	CF/CM30C	0.98	0.95	1.03
TM9Y080C16MP11	CF/CM36D	0.98	0.97	1.02
TM9Y100C16MP11	CF/CM/CU36C	0.97	0.98	1.03
TM9Y100C16MP11	CF/CM30C	0.96	0.94	1.04
TM9Y100C16MP11	CF/CM36D	0.97	0.98	1.03
TMLE040A12MP11	CF/CM/CU30A	0.99	1.06	0.97
TMLE040A12MP11	CF/CM/CU30B	0.99	1.09	0.97
TMLE040A12MP11	CF/CM/CU36B	0.99	1.10	0.97
TMLE040A12MP11	CF/CM36A	0.99	1.06	0.97
TMLE060A12MP11	CF/CM/CU30A	0.99	1.06	0.97
TMLE060A12MP11	CF/CM/CU30B	0.99	1.07	0.97
TMLE060A12MP11	CF/CM/CU36B	0.99	1.14	0.97
TMLE060A12MP11	CF/CM36A	0.99	1.06	0.97
TMLE080B12MP11	CF/CM/CU30B	0.99	1.05	0.97
TMLE080B12MP11	CF/CM/CU36B	0.99	1.06	0.97
TMLE080B12MP11	CF/CM/CU36C	0.99	1.07	0.97
TMLE080B12MP11	CF/CM30C	0.99	1.07	0.97
TMLE080C16MP11	CF/CM/CU36C	0.99	1.14	0.97
TMLE080C16MP11	CF/CM30C	0.99	1.12	0.97
TMLE080C16MP11	CF/CM36D	0.99	1.14	0.97
TMLE100B12MP11	CF/CM/CU30B	0.99	1.15	0.97
TMLE100B12MP11	CF/CM/CU36B	0.99	1.06	0.97
TMLE100B12MP11	CF/CM/CU36C	0.99	1.06	0.97
TMLE100B12MP11	CF/CM30C	0.99	1.15	0.97
TMLE100C16MP11	CF/CM/CU36C	0.99	1.13	0.97
TMLE100C16MP11	CF/CM30C	0.99	1.11	0.97
TMLE100C16MP11	CF/CM36D	0.99	1.13	0.97
TMLE120C16MP11	CF/CM/CU36C	0.99	1.14	0.95
TMLE120C16MP11	CF/CM30C	0.99	1.10	0.97
TMLE120C16MP11	CF/CM36D	0.99	1.14	0.95
TMLV060A12MP12C	CF/CM/CU30A	0.98	0.97	1.03
TMLV060A12MP12C	CF/CM/CU30B	0.98	1.03	0.95
TMLV060A12MP12C	CF/CM/CU36B	0.98	1.04	1.01
TMLV060A12MP12C	CF/CM36A	0.98	1.06	0.95
TMLV080B12MP12C	CF/CM/CU30B	0.98	1.01	0.97
TMLV080B12MP12C	CF/CM/CU36B	0.98	1.02	1.03
TMLV080B12MP12C	CF/CM/CU36C	0.98	1.02	1.03
TMLV080B12MP12C	CF/CM30C	0.98	1.06	1.03
TMLV080C16MP12C	CF/CM/CU36C	0.98	1.18	0.99
TMLV080C16MP12C	CF/CM30C	0.98	1.13	1.03
TMLV080C16MP12C	CF/CM36D	0.99	1.14	1.03
TMLV100C16MP12C	CF/CM/CU36C	0.98	1.18	0.99
TMLV100C16MP12C	CF/CM30C	0.98	1.13	1.03
TMLV100C16MP12C	CF/CM36D	0.99	1.14	1.03
TMLX060A12MP11	CF/CM/CU30A	0.98	0.97	1.03
TMLX060A12MP11	CF/CM/CU30B	0.98	1.00	0.97
TMLX060A12MP11	CF/CM/CU36B	0.98	1.01	1.01
TMLX060A12MP11	CF/CM36A	0.98	1.05	0.95
TMLX080B12MP11	CF/CM/CU30B	0.98	1.09	0.95
TMLX080B12MP11	CF/CM/CU36B	0.98	1.10	1.01
TMLX080B12MP11	CF/CM/CU36C	0.98	1.04	0.99
TMLX080B12MP11	CF/CM30C	0.98	1.09	1.01
TMLX080C16MP11	CF/CM/CU36C	0.98	1.04	0.99
TMLX080C16MP11	CF/CM30C	0.98	1.01	1.04
TMLX080C16MP11	CF/CM36D	0.99	1.05	1.03
TMLX100C16MP11	CF/CM/CU36C	0.98	1.04	0.99

Furnaces	Coils	T.C.	S.C.	KW
TMLX100C16MP11	CF/CM30C	0.98	1.01	1.04
TMLX100C16MP11	CF/CM36D	0.99	1.05	1.03
TP9C060B12MP13C	CF/CM/CU30B	0.98	1.03	0.97
TP9C060B12MP13C	CF/CM/CU36B	0.99	1.04	0.97
TP9C060B12MP13C	CF/CM/CU36C	0.98	1.04	1.01
TP9C060B12MP13C	CF/CM30C	0.98	1.03	1.03
TP9C080B12MP13C	CF/CM/CU30B	0.98	1.10	0.95
TP9C080B12MP13C	CF/CM/CU36B	0.99	1.12	0.95
TP9C080B12MP13C	CF/CM/CU36C	0.98	1.15	1.01
TP9C080B12MP13C	CF/CM30C	0.98	1.05	1.01
TP9C080C16MP13C	CF/CM/CU36C	0.98	1.23	1.01
TP9C080C16MP13C	CF/CM30C	0.98	1.20	1.01
TP9C080C16MP13C	CF/CM36D	0.99	1.23	1.03
TP9C100C16MP13C	CF/CM/CU36C	0.98	1.19	0.99
TP9C100C16MP13C	CF/CM30C	0.98	1.15	1.03
TP9C100C16MP13C	CF/CM36D	0.99	1.15	1.05
TPLC060A12MP13C	CF/CM/CU30A	0.98	0.97	1.03
TPLC060A12MP13C	CF/CM/CU30B	0.98	1.03	0.95
TPLC060A12MP13C	CF/CM/CU36B	0.98	1.04	1.01
TPLC060A12MP13C	CF/CM36A	0.98	1.06	0.95
TPLC080B12MP13C	CF/CM/CU30B	0.98	1.01	0.97
TPLC080B12MP13C	CF/CM/CU36B	0.98	1.02	1.03
TPLC080B12MP13C	CF/CM/CU36C	0.98	1.02	1.03
TPLC080B12MP13C	CF/CM30C	0.98	1.06	1.03
TPLC080C16MP13C	CF/CM/CU36C	0.98	1.18	0.99
TPLC080C16MP13C	CF/CM30C	0.98	1.13	1.03
TPLC080C16MP13C	CF/CM36D	0.99	1.14	1.03
TPLC100C16MP13C	CF/CM/CU36C	0.98	1.18	0.99
TPLC100C16MP13C	CF/CM30C	0.98	1.13	1.03
TPLC100C16MP13C	CF/CM36D	0.99	1.14	1.03

Furnaces	Coils	T.C.	S.C.	KW
YP9C060B12MP13C	CF/CM/CU30B	0.98	1.03	0.97
YP9C060B12MP13C	CF/CM/CU36B	0.99	1.04	0.97
YP9C060B12MP13C	CF/CM/CU36C	0.98	1.04	1.01
YP9C060B12MP13C	CF/CM30C	0.98	1.03	1.03
YP9C080B12MP13C	CF/CM/CU30B	0.98	1.10	0.95
YP9C080B12MP13C	CF/CM/CU36B	0.99	1.12	0.95
YP9C080B12MP13C	CF/CM/CU36C	0.98	1.15	1.01
YP9C080B12MP13C	CF/CM30C	0.98	1.05	1.01
YP9C080C16MP13C	CF/CM/CU36C	0.98	1.23	1.01
YP9C080C16MP13C	CF/CM30C	0.98	1.20	1.01
YP9C080C16MP13C	CF/CM36D	0.99	1.23	1.03
YP9C100C16MP13C	CF/CM/CU36C	0.98	1.19	0.99
YP9C100C16MP13C	CF/CM30C	0.98	1.15	1.03
YP9C100C16MP13C	CF/CM36D	0.99	1.15	1.05
YPLC060A12MP13C	CF/CM/CU30A	0.98	0.97	1.03
YPLC060A12MP13C	CF/CM/CU30B	0.98	1.03	0.95
YPLC060A12MP13C	CF/CM/CU36B	0.98	1.04	1.01
YPLC060A12MP13C	CF/CM36A	0.98	1.06	0.95
YPLC080B12MP13C	CF/CM/CU30B	0.98	1.01	0.97
YPLC080B12MP13C	CF/CM/CU36B	0.98	1.02	1.03
YPLC080B12MP13C	CF/CM/CU36C	0.98	1.02	1.03
YPLC080B12MP13C	CF/CM30C	0.98	1.06	1.03
YPLC080C16MP13C	CF/CM/CU36C	0.98	1.18	0.99
YPLC080C16MP13C	CF/CM30C	0.98	1.13	1.03
YPLC080C16MP13C	CF/CM36D	0.99	1.14	1.03
YPLC100C16MP13C	CF/CM/CU36C	0.98	1.18	0.99
YPLC100C16MP13C	CF/CM30C	0.98	1.13	1.03
YPLC100C16MP13C	CF/CM36D	0.99	1.14	1.03

## PERFORMANCE DATA - 2.5 TON - COPPER MATCHED SYSTEMS

COOLING PERFORMANCE DATA																
AIR CONDITIONER MODEL NO.		TCHD30S41S3														
INDOOR COIL MODEL NO.		FC/MC/PC35														
AIR TEMP. ENTERING OUTDOOR UNIT (°F)	ID CFM	800					1000					1200				
	ID DB (°F)	80	80	75	80	80	80	80	75	80	80	80	80	75	80	80
	ID WB (°F)	57	62	62	67	72	57	62	62	67	72	57	62	62	67	72
65	T.C.	27.3	28.7	28.9	30.5	31.8	28.8	29.9	29.8	31.6	33.4	30.3	31.0	30.7	32.8	35.0
	S.C.	26.6	24.5	20.7	20.5	15.9	28.2	27.4	23.2	22.6	17.2	29.7	30.4	25.7	24.7	18.5
	KW	1.61	1.64	1.61	1.64	1.63	1.63	1.63	1.61	1.64	1.64	1.65	1.62	1.61	1.64	1.65
75	T.C.	26.2	27.0	27.1	29.4	31.2	27.8	28.3	28.3	30.4	32.2	29.5	29.5	29.5	31.5	33.2
	S.C.	25.6	23.9	19.9	19.8	15.4	27.2	26.4	22.3	22.0	16.8	28.8	28.9	24.6	24.1	18.1
	KW	1.88	1.88	1.89	1.88	1.86	1.87	1.87	1.88	1.87	1.86	1.87	1.87	1.88	1.87	1.86
85	T.C.	25.1	25.3	25.2	28.3	30.6	26.8	26.7	26.7	29.2	31.0	28.6	28.0	28.3	30.1	31.4
	S.C.	24.5	23.2	19.1	19.2	15.0	26.2	25.3	21.3	21.3	16.3	28.0	27.4	23.6	23.5	17.7
	KW	2.15	2.12	2.18	2.11	2.09	2.12	2.12	2.16	2.10	2.09	2.09	2.12	2.14	2.10	2.08
95	T.C.	23.9	23.7	23.3	27.2	30.0	25.8	25.1	25.2	28.0	29.8	27.8	26.5	27.1	28.8	29.6
	S.C.	23.5	22.6	18.2	18.5	14.5	25.3	24.3	20.4	20.7	15.9	27.1	25.9	22.5	22.9	17.3
	KW	2.41	2.36	2.46	2.34	2.32	2.37	2.36	2.43	2.33	2.31	2.32	2.36	2.41	2.32	2.30
105	T.C.	22.4	22.6	22.2	25.0	27.8	24.3	24.1	23.8	26.1	27.8	26.2	25.6	25.3	27.3	27.9
	S.C.	21.9	21.5	17.6	17.8	13.9	23.7	23.1	19.7	20.0	15.3	25.5	24.8	21.7	22.2	16.7
	KW	2.93	2.96	3.05	2.84	2.70	2.85	2.88	3.01	2.80	2.69	2.76	2.80	2.97	2.76	2.67
115	T.C.	20.9	21.5	21.2	22.9	25.6	22.8	23.1	22.4	24.4	26.0	24.7	24.7	23.5	25.8	26.3
	S.C.	20.5	20.4	17.0	17.1	13.4	22.2	22.0	19.0	19.3	14.7	24.0	23.6	20.9	21.5	16.1
	KW	3.44	3.54	3.61	3.32	3.07	3.31	3.38	3.56	3.25	3.05	3.19	3.22	3.51	3.18	3.03
125	T.C.	19.5	20.4	20.1	20.7	23.4	21.3	22.1	20.9	22.6	24.1	23.2	23.9	21.8	24.4	24.7
	S.C.	19.0	19.3	16.4	16.4	12.8	20.7	20.9	18.3	18.6	14.2	22.4	22.5	20.1	20.8	15.5
	KW	3.94	4.13	4.18	3.81	3.44	3.78	3.88	4.12	3.70	3.42	3.62	3.63	4.06	3.60	3.39

**NOTE:** ALL CAPACITIES INCLUDE INDOOR FAN HEAT. KW VALUES ARE FOR THE SYSTEM (OUTDOOR + INDOOR).  
Green shaded cells are ACCA (TVA) conditions.  
Blue shaded cells are AHRI conditions.

## Multipliers for determining the performance with other indoor sections.

**NOTE:** For dry bulb temperatures different than those listed (between 73-87 °F), sensible capacity increases by 1060 BTUH per 1000 CFM per degree above the listed temperature and decreases by 1060 BTUH per 1000 CFM per degree below the listed temperature.

Air Handlers	Coils	T.C.	S.C.	KW
–	FC/MC/PC32	1.00	1.00	1.00
–	FC/MC/PC35	1.00	1.00	1.00
–	FC/MC/PC37	1.01	1.02	1.00
–	FC/MC/PC43	1.01	1.02	1.00
–	FC/MC/PC48	1.02	1.03	1.00
–	HD36	0.99	0.96	1.00
–	UC48	0.96	0.96	1.00
AHE30B	–	1.01	1.02	0.94
AHE36C	–	1.04	1.05	0.92
AHE42D	–	1.05	1.07	0.90
AHR30B	–	1.01	1.05	1.01
AHR36B	–	1.02	1.05	1.02
AHV30B	–	1.01	1.00	0.99
AHV36C	–	1.02	1.00	0.94

Air Handlers	Coils	T.C.	S.C.	KW
AHV42D	–	1.06	1.10	0.96
MV12B	FC/MC35B	1.02	1.02	0.93
MV12B	FC/MC43B	1.04	1.04	0.93
MV16C	FC/MC35C	1.02	1.02	0.93
MV16C	FC/MC43C	1.04	1.04	0.92
MV16C	FC/MC48C	1.05	1.05	0.92
MX12BN21	FC/MC35B	1.02	1.03	0.94
MX12BN21	FC/MC43B	1.04	1.05	0.93
MX12DN21	FC/MC48D	1.04	1.04	0.92
MX16CN21	FC/MC35C	1.02	1.03	0.94
MX16CN21	FC/MC43C	1.03	1.03	0.91
MX16CN21	FC/MC48C	1.04	1.04	0.90
MX20DN21	FC/MC48D	1.04	1.05	0.97

Furnaces	Coils	T.C.	S.C.	KW
T*(8,L)C*A12	FC/MC/PC32A	1.00	1.01	0.99
T*(8,L)C*A12	FC/MC/PC37A	1.03	1.04	0.96
T*(8,L)C*A12	HD36	1.00	0.97	0.95
T*(8,L)C*B12	FC/MC/PC35B	1.01	1.02	0.95
T*(8,L)C*B12	FC/MC/PC43B	1.03	1.05	0.94
T*(8,L)C*B12	HD36	1.00	0.98	0.92
T*(8,L)C*C16	FC/MC/PC35C	1.01	1.03	0.93
T*(8,L)C*C16	FC/MC/PC43C	1.04	1.05	0.91
T*(8,L)C*C16	HD36	1.01	0.98	0.93
T*(8,L)C*C20	FC/MC/PC35C	1.03	1.07	0.95
T*(8,L)C*C20	FC/MC/PC43C	1.04	1.05	0.91
T*(8,L)C*C20	HD36	1.01	1.01	0.92
T*(8,L)V*A12	FC/MC/PC32A	1.00	1.01	0.99
T*(8,L)V*A12	FC/MC/PC37A	1.03	1.04	0.96
T*(8,L)V*A12	HD36	1.00	0.97	0.95
T*(8,L)V*B12	FC/MC/PC35B	1.01	1.02	0.95
T*(8,L)V*B12	FC/MC/PC43B	1.03	1.05	0.94
T*(8,L)V*B12	HD36	1.00	0.98	0.92
T*(8,L)V*C16	FC/MC/PC35C	1.01	1.03	0.93
T*(8,L)V*C16	FC/MC/PC43C	1.04	1.05	0.91
T*(8,L)V*C16	HD36	1.01	0.98	0.93
T*(8,L)V*C20	FC/MC/PC35C	1.03	1.07	0.95
T*(8,L)V*C20	FC/MC/PC43C	1.04	1.05	0.91
T*(8,L)V*C20	HD36	1.01	1.01	0.92
T*9(C,V)*B12	FC/MC/PC35B	1.01	1.04	0.97
T*9(C,V)*B12	FC/MC/PC43B	1.03	1.04	0.96
T*9(C,V)*B12	HD36	1.00	0.98	0.93
T*9(C,V)*C16	FC/MC/PC35C	1.01	1.03	0.93
T*9(C,V)*C16	FC/MC/PC43C	1.03	1.04	0.94
T*9(C,V)*C16	HD36	1.01	0.98	0.93
T*9(C,V)*C20	FC/MC/PC35C	1.01	1.03	0.93
T*9(C,V)*C20	FC/MC/PC43C	1.04	1.05	0.92
T*9(C,V)*C20	HD36	1.00	0.98	0.92
TM8X060A12MP11	FC/MC/PC32A	1.00	1.01	1.00
TM8X060A12MP11	FC/MC/PC37A	1.01	1.03	1.00
TM8X080B12MP11	FC/MC/PC35B	1.01	1.00	0.95
TM8X080B12MP11	FC/MC/PC43B	1.04	1.05	0.97
TM8X080C16MP11	FC/MC/PC35C	1.03	1.04	0.95
TM8X080C16MP11	FC/MC/PC43C	1.02	1.03	0.94
TM8X080C16MP11	FC/MC/PC48C	1.03	1.03	0.95
TM8X080C16MP11	FC/MC/PC48D	1.03	1.03	0.95
TM8X080C16MP11	UC48C	1.02	1.04	0.94
TM8X080C16MP11	UC48D	1.02	1.04	0.94
TM8X100C16MP11	FC/MC/PC35C	1.03	1.04	0.95
TM8X100C16MP11	FC/MC/PC43C	1.02	1.03	0.94
TM8X100C16MP11	FC/MC/PC48C	1.03	1.03	0.95
TM8X100C16MP11	FC/MC/PC48D	1.03	1.03	0.95
TM8X100C16MP11	UC48C	1.02	1.04	0.94
TM8X100C16MP11	UC48D	1.02	1.04	0.94
TM8X100C20MP11	FC/MC/PC35C	1.02	1.04	0.94
TM8X100C20MP11	FC/MC/PC43C	1.04	1.06	0.96
TM8X100C20MP11	FC/MC/PC48C	1.04	1.05	0.93
TM8X100C20MP11	FC/MC/PC48D	1.04	1.05	0.96
TM8X100C20MP11	UC48C	1.01	1.03	0.95
TM8X100C20MP11	UC48D	1.01	1.03	0.95
TM8X120C20MP11	FC/MC/PC35C	1.02	1.04	0.94

Furnaces	Coils	T.C.	S.C.	KW
TM8X120C20MP11	FC/MC/PC43C	1.04	1.06	0.96
TM8X120C20MP11	FC/MC/PC48C	1.04	1.05	0.93
TM8X120C20MP11	FC/MC/PC48D	1.04	1.05	0.96
TM8X120C20MP11	UC48C	1.01	1.03	0.95
TM8X120C20MP11	UC48D	1.01	1.03	0.95
TM9E060B12MP11	FC/MC/PC35B	1.00	1.00	0.95
TM9E060B12MP11	FC/MC/PC43B	1.01	1.02	0.97
TM9E080B12MP11	FC/MC/PC35B	1.00	1.00	0.95
TM9E080B12MP11	FC/MC/PC43B	1.01	1.02	0.97
TM9E080C16MP11	FC/MC/PC35C	1.02	1.04	0.94
TM9E080C16MP11	FC/MC/PC43C	1.04	1.05	0.96
TM9E080C16MP11	FC/MC/PC48C	1.04	1.05	0.94
TM9E080C16MP11	FC/MC/PC48D	1.04	1.05	0.96
TM9E080C16MP11	UC48C	1.01	1.03	0.95
TM9E080C16MP11	UC48D	1.01	1.03	0.95
TM9E100C16MP11	FC/MC/PC35C	1.02	1.04	0.94
TM9E100C16MP11	FC/MC/PC43C	1.04	1.05	0.96
TM9E100C16MP11	FC/MC/PC48C	1.04	1.05	0.94
TM9E100C16MP11	FC/MC/PC48D	1.04	1.05	0.96
TM9E100C16MP11	UC48C	1.01	1.03	0.95
TM9E100C16MP11	UC48D	1.01	1.03	0.95
TM9E100C20MP11	FC/MC/PC35C	1.01	1.02	1.01
TM9E100C20MP11	FC/MC/PC43C	1.02	1.04	1.00
TM9E100C20MP11	FC/MC/PC48C	1.02	1.03	1.00
TM9E100C20MP11	FC/MC/PC48D	1.03	1.03	1.01
TM9E100C20MP11	UC48C	1.00	1.02	1.00
TM9E100C20MP11	UC48D	1.01	1.02	1.01
TM9E120D20MP11	FC/MC/PC48D	1.03	1.04	1.01
TM9E120D20MP11	UC48D	1.01	1.02	1.01
TM9X060B12MP11	FC/MC/PC35B	1.00	1.00	0.95
TM9X060B12MP11	FC/MC/PC43B	1.01	1.02	0.97
TM9X080B12MP11	FC/MC/PC35B	1.00	1.00	0.95
TM9X080B12MP11	FC/MC/PC43B	1.01	1.02	0.97
TM9X080C16MP11	FC/MC/PC35C	1.02	1.04	0.94
TM9X080C16MP11	FC/MC/PC43C	1.04	1.05	0.96
TM9X080C16MP11	FC/MC/PC48C	1.04	1.05	0.94
TM9X080C16MP11	FC/MC/PC48D	1.04	1.05	0.96
TM9X080C16MP11	UC48C	1.01	1.03	0.95
TM9X080C16MP11	UC48D	1.01	1.03	0.95
TM9X100C16MP11	FC/MC/PC35C	1.02	1.04	0.94
TM9X100C16MP11	FC/MC/PC43C	1.04	1.05	0.96
TM9X100C16MP11	FC/MC/PC48C	1.04	1.05	0.94
TM9X100C16MP11	FC/MC/PC48D	1.04	1.05	0.96
TM9X100C16MP11	UC48C	1.01	1.03	0.95
TM9X100C16MP11	UC48D	1.01	1.03	0.95
TM9X100C20MP11	FC/MC/PC35C	1.01	1.02	1.01
TM9X100C20MP11	FC/MC/PC43C	1.02	1.04	1.00
TM9X100C20MP11	FC/MC/PC48C	1.02	1.03	1.00
TM9X100C20MP11	FC/MC/PC48D	1.03	1.03	1.01
TM9X100C20MP11	UC48C	1.00	1.02	1.00
TM9X100C20MP11	UC48D	1.01	1.02	1.01
TM9X120D20MP11	FC/MC/PC48D	1.03	1.04	1.01
TM9X120D20MP11	UC48D	1.01	1.02	1.01
TMLX060A12MP11	FC/MC/PC32A	1.00	1.01	1.00
TMLX060A12MP11	FC/MC/PC37A	1.01	1.03	1.00
TMLX080B12MP11	FC/MC/PC35B	1.01	1.00	0.95

Furnaces	Coils	T.C.	S.C.	KW
TMLX080B12MP11	FC/MC/PC43B	1.04	1.05	0.97
TMLX080C16MP11	FC/MC/PC35C	1.03	1.04	0.95
TMLX080C16MP11	FC/MC/PC43C	1.02	1.03	0.94
TMLX080C16MP11	FC/MC/PC48C	1.03	1.03	0.95
TMLX080C16MP11	FC/MC/PC48D	1.03	1.03	0.95
TMLX080C16MP11	UC48C	1.02	1.04	0.94
TMLX080C16MP11	UC48D	1.02	1.04	0.94
TMLX100C16MP11	FC/MC/PC35C	1.03	1.04	0.95
TMLX100C16MP11	FC/MC/PC43C	1.02	1.03	0.94
TMLX100C16MP11	FC/MC/PC48C	1.03	1.03	0.95
TMLX100C16MP11	FC/MC/PC48D	1.03	1.03	0.95
TMLX100C16MP11	UC48C	1.02	1.04	0.94
TMLX100C16MP11	UC48D	1.02	1.04	0.94
TMLX100C20MP11	FC/MC/PC35C	1.02	1.04	0.94
TMLX100C20MP11	FC/MC/PC43C	1.04	1.06	0.96
TMLX100C20MP11	FC/MC/PC48C	1.04	1.05	0.93
TMLX100C20MP11	FC/MC/PC48D	1.04	1.05	0.96
TMLX100C20MP11	UC48C	1.01	1.03	0.95
TMLX100C20MP11	UC48D	1.01	1.03	0.95
TMLX120C20MP11	FC/MC/PC35C	1.02	1.04	0.94
TMLX120C20MP11	FC/MC/PC43C	1.04	1.06	0.96
TMLX120C20MP11	FC/MC/PC48C	1.04	1.05	0.93
TMLX120C20MP11	FC/MC/PC48D	1.04	1.05	0.96
TMLX120C20MP11	UC48C	1.01	1.03	0.95

Furnaces	Coils	T.C.	S.C.	KW
TMLX120C20MP11	UC48D	1.01	1.03	0.95
Y*(8,L)C*A12	FC/MC/PC32A	1.00	1.01	0.99
Y*(8,L)C*A12	FC/MC/PC37A	1.03	1.04	0.96
Y*(8,L)C*A12	HD36	1.00	0.97	0.95
Y*(8,L)C*B12	FC/MC/PC35B	1.01	1.02	0.95
Y*(8,L)C*B12	FC/MC/PC43B	1.03	1.05	0.94
Y*(8,L)C*B12	HD36	1.00	0.98	0.92
Y*(8,L)C*C16	FC/MC/PC35C	1.01	1.03	0.93
Y*(8,L)C*C16	FC/MC/PC43C	1.04	1.05	0.91
Y*(8,L)C*C16	HD36	1.01	0.98	0.93
Y*(8,L)C*C20	FC/MC/PC35C	1.03	1.07	0.95
Y*(8,L)C*C20	FC/MC/PC43C	1.04	1.05	0.91
Y*(8,L)C*C20	HD36	1.01	1.01	0.92
Y*9C*B12	FC/MC/PC35B	1.01	1.04	0.97
Y*9C*B12	FC/MC/PC43B	1.03	1.04	0.96
Y*9C*B12	HD36	1.00	0.98	0.93
Y*9C*C16	FC/MC/PC35C	1.01	1.03	0.93
Y*9C*C16	FC/MC/PC43C	1.03	1.04	0.94
Y*9C*C16	HD36	1.01	0.98	0.93
Y*9C*C20	FC/MC/PC35C	1.01	1.03	0.93
Y*9C*C20	FC/MC/PC43C	1.04	1.05	0.92
Y*9C*C20	HD36	1.00	0.98	0.92

## PERFORMANCE DATA - 2.5 TON - ALUMINUM MATCHED SYSTEMS

COOLING PERFORMANCE DATA																
AIR CONDITIONER MODEL NO.		TCHD30S41S3														
INDOOR COIL MODEL NO.		CF/CM30C														
AIR TEMP. ENTERING OUTDOOR UNIT (°F)	ID CFM	800					1000					1200				
	ID DB (°F)	80	80	75	80	80	80	80	75	80	80	80	80	75	80	80
	ID WB (°F)	57	62	62	67	72	57	62	62	67	72	57	62	62	67	72
65	T.C.	28.3	29.7	30.0	31.6	32.9	29.9	30.9	30.9	32.8	34.6	31.4	32.2	31.8	34.0	36.2
	S.C.	27.0	24.8	21.0	20.8	16.1	28.5	27.8	23.5	22.9	17.4	30.1	30.8	26.0	25.0	18.8
	KW	1.74	1.77	1.74	1.77	1.77	1.76	1.76	1.74	1.78	1.77	1.78	1.75	1.74	1.78	1.78
75	T.C.	27.1	28.0	28.0	30.5	32.3	28.8	29.3	29.3	31.5	33.3	30.5	30.6	30.6	32.6	34.4
	S.C.	25.9	24.2	20.2	20.1	15.6	27.6	26.7	22.6	22.3	17.0	29.2	29.3	25.0	24.4	18.4
	KW	2.03	2.03	2.05	2.03	2.01	2.03	2.02	2.04	2.02	2.01	2.02	2.02	2.03	2.02	2.02
85	T.C.	26.0	26.3	26.1	29.3	31.7	27.8	27.6	27.7	30.3	32.1	29.6	29.0	29.3	31.2	32.5
	S.C.	24.9	23.5	19.3	19.5	15.2	26.6	25.7	21.6	21.6	16.6	28.3	27.8	23.9	23.8	18.0
	KW	2.32	2.29	2.35	2.28	2.26	2.29	2.29	2.33	2.27	2.25	2.26	2.29	2.31	2.27	2.25
95	T.C.	24.8	24.5	24.2	28.2	31.0	26.8	26.0	26.1	29.0	30.8	28.7	27.5	28.0	29.8	30.6
	S.C.	23.8	22.9	18.5	18.8	14.7	25.6	24.6	20.7	21.0	16.1	27.5	26.3	22.8	23.2	17.5
	KW	2.61	2.55	2.66	2.53	2.50	2.56	2.55	2.63	2.52	2.50	2.50	2.56	2.60	2.51	2.49
105	T.C.	23.2	23.4	23.0	25.9	28.7	25.2	25.0	24.6	27.1	28.8	27.1	26.5	26.2	28.3	28.9
	S.C.	22.2	21.8	17.8	18.0	14.1	24.0	23.4	19.9	20.3	15.5	25.8	25.1	22.0	22.5	16.9
	KW	3.17	3.20	3.29	3.07	2.92	3.08	3.11	3.25	3.03	2.90	2.98	3.02	3.21	2.98	2.89
115	T.C.	21.7	22.3	21.9	23.7	26.5	23.6	23.9	23.1	25.2	26.9	25.6	25.6	24.4	26.8	27.3
	S.C.	20.7	20.7	17.2	17.3	13.6	22.5	22.3	19.2	19.5	14.9	24.3	23.9	21.2	21.8	16.3
	KW	3.71	3.83	3.90	3.59	3.32	3.58	3.65	3.85	3.51	3.30	3.45	3.47	3.80	3.43	3.27
125	T.C.	20.2	21.2	20.8	21.5	24.3	22.1	22.9	21.7	23.4	24.9	24.0	24.7	22.6	25.3	25.6
	S.C.	19.2	19.6	16.6	16.6	13.0	21.0	21.2	18.5	18.8	14.4	22.7	22.8	20.4	21.1	15.7
	KW	4.26	4.46	4.51	4.11	3.72	4.09	4.19	4.45	4.00	3.69	3.91	3.93	4.38	3.89	3.66

NOTE: ALL CAPACITIES INCLUDE INDOOR FAN HEAT. KW VALUES ARE FOR THE SYSTEM (OUTDOOR + INDOOR).

Green shaded cells are ACCA (TVA) conditions.

Blue shaded cells are AHRI conditions.

## Multipliers for determining the performance with other indoor sections.

NOTE: For dry bulb temperatures different than those listed (between 73-87 °F), sensible capacity increases by 1060 BTUH per 1000 CFM per degree above the listed temperature and decreases by 1060 BTUH per 1000 CFM per degree below the listed temperature.

Air Handlers	Coils	T.C.	S.C.	KW
-	CF/CM/CU30B	1.03	1.12	0.96
-	CF/CM30C	1.00	1.00	1.00
AE30BX21	-	1.03	1.16	0.97
AE36BX21	-	1.03	1.12	0.97
AE36CX21	-	1.03	1.15	0.97
AE42CX21	-	1.03	1.12	0.95
AP30BX21	-	1.01	1.04	0.95
AP37CX21	-	1.06	1.22	0.97
AVC30BX21	-	1.03	1.16	0.97
AVC36BX21	-	1.03	1.12	0.97
AVC36CX21	-	1.01	1.01	0.93
AVC42CX21	-	1.03	1.13	0.95
AVC48CX21	-	1.03	1.15	0.95
AVC48DX21	-	1.03	1.06	0.95
ME12BN21	CF/CM30B	1.03	1.13	0.97
ME12BN21	CF/CM36B	1.01	1.04	0.95
ME12BN21	CF42B	1.02	1.04	0.94
ME12CN21	CF/CM30C	1.00	1.01	0.94

Air Handlers	Coils	T.C.	S.C.	KW
ME14DN21	CF/CM42D	1.03	1.12	0.95
ME14DN21	CF/CM48D	1.03	1.12	0.95
ME16CN21	CF/CM30C	1.03	1.16	0.97
ME16CN21	CF/CM36C	1.02	1.06	0.94
ME16CN21	CF/CM42C	1.03	1.07	0.95
ME16CN21	CF/CM48C	1.03	1.09	0.95
MVC12BN21	CF/CM30B	1.03	1.16	0.97
MVC12BN21	CF/CM36B	1.03	1.13	0.97
MVC12BN21	CF42B	1.03	1.15	0.95
MVC12CN21	CF/CM30C	1.03	1.12	0.96
MVC12CN21	CF/CM36C	1.03	1.12	0.97
MVC12CN21	CF/CM42C	1.02	1.05	0.94
MVC12CN21	CF/CM48C	1.03	1.06	0.95
MVC16CN21	CF/CM30C	1.03	1.13	0.96
MVC16CN21	CF/CM36C	1.03	1.15	0.97
MVC16CN21	CF/CM42C	1.03	1.12	0.95
MVC16CN21	CF/CM48C	1.03	1.12	0.95



Furnaces	Coils	T.C.	S.C.	KW
TM8E040A12MP11	CF/CM/CU30B	1.03	1.06	0.95
TM8E040A12MP11	CF/CM/CU36B	1.03	1.07	0.95
TM8E040A12MP11	CF42B	1.03	1.05	0.95
TM8E060A12MP11	CF/CM/CU30B	1.03	1.06	0.95
TM8E060A12MP11	CF/CM/CU36B	1.03	1.07	0.95
TM8E060A12MP11	CF42B	1.02	1.02	0.94
TM8E080B12MP11	CF/CM/CU30B	1.03	1.09	0.95
TM8E080B12MP11	CF/CM/CU36B	1.03	1.07	0.95
TM8E080B12MP11	CF/CM/CU36C	1.03	1.08	0.95
TM8E080B12MP11	CF/CM/CU42C	1.03	1.08	0.95
TM8E080B12MP11	CF/CM/CU48C	1.03	1.09	0.95
TM8E080B12MP11	CF/CM30C	1.03	1.09	0.95
TM8E080B12MP11	CF42B	1.03	1.09	0.95
TM8E080C16MP11	CF/CM/CU36C	1.03	1.12	0.95
TM8E080C16MP11	CF/CM/CU42C	1.03	1.12	0.95
TM8E080C16MP11	CF/CM/CU48C	1.03	1.02	0.95
TM8E080C16MP11	CF/CM/CU48D	1.03	1.12	0.95
TM8E080C16MP11	CF/CM30C	1.03	1.11	0.95
TM8E080C16MP11	CF/CM36D	1.03	1.12	0.95
TM8E080C16MP11	CF/CM42D	1.03	1.12	0.95
TM8E100B12MP11	CF/CM/CU30B	1.02	1.03	0.94
TM8E100B12MP11	CF/CM/CU36B	1.03	1.05	0.95
TM8E100B12MP11	CF/CM/CU36C	1.03	1.05	0.95
TM8E100B12MP11	CF/CM/CU42C	1.03	1.06	0.95
TM8E100B12MP11	CF/CM/CU48C	1.03	1.05	0.95
TM8E100B12MP11	CF/CM30C	1.03	1.10	0.95
TM8E100B12MP11	CF42B	1.02	1.02	0.94
TM8E100C16MP11	CF/CM/CU36C	1.03	1.10	0.95
TM8E100C16MP11	CF/CM/CU42C	1.03	1.10	0.95
TM8E100C16MP11	CF/CM/CU48C	1.03	1.12	0.95
TM8E100C16MP11	CF/CM/CU48D	1.03	1.12	0.95
TM8E100C16MP11	CF/CM30C	1.03	1.10	0.95
TM8E100C16MP11	CF/CM36D	1.03	1.12	0.95
TM8E100C16MP11	CF/CM42D	1.03	1.12	0.95
TM8E120C16MP11	CF/CM/CU36C	1.03	1.12	0.95
TM8E120C16MP11	CF/CM/CU42C	1.03	1.12	0.95
TM8E120C16MP11	CF/CM/CU48C	1.03	1.12	0.95
TM8E120C16MP11	CF/CM/CU48D	1.03	1.12	0.95
TM8E120C16MP11	CF/CM30C	1.03	1.11	0.95
TM8E120C16MP11	CF/CM36D	1.03	1.12	0.95
TM8E120C16MP11	CF/CM42D	1.03	1.12	0.95
TM8V060A12MP11C	CF/CM/CU30B	1.03	1.06	0.95
TM8V060A12MP11C	CF/CM/CU36B	1.02	1.03	0.94
TM8V060A12MP11C	CF42B	1.02	1.02	0.94
TM8V060A12MP12C	CF/CM/CU30B	1.03	1.06	0.95
TM8V060A12MP12C	CF/CM/CU36B	1.02	1.03	0.94
TM8V060A12MP12C	CF/CM36A	1.02	1.06	0.94
TM8V060A12MP12C	CF42B	1.02	1.02	0.94
TM8V080B12MP11C	CF/CM/CU30B	1.01	1.02	0.93
TM8V080B12MP11C	CF/CM/CU36B	1.02	1.04	0.94
TM8V080B12MP11C	CF/CM/CU36C	1.02	1.04	0.94
TM8V080B12MP11C	CF/CM/CU42C	1.03	1.03	0.95
TM8V080B12MP11C	CF/CM/CU48C	1.03	1.04	0.95
TM8V080B12MP11C	CF/CM30C	1.01	1.02	0.93
TM8V080B12MP11C	CF42B	1.03	1.03	0.95
TM8V080B12MP12C	CF/CM/CU30B	1.01	1.02	0.93

Furnaces	Coils	T.C.	S.C.	KW
TM8V080B12MP12C	CF/CM/CU36B	1.02	1.04	0.94
TM8V080B12MP12C	CF/CM/CU36C	1.02	1.04	0.94
TM8V080B12MP12C	CF/CM/CU42C	1.03	1.03	0.95
TM8V080B12MP12C	CF/CM/CU48C	1.03	1.04	0.95
TM8V080B12MP12C	CF/CM30C	1.01	1.02	0.93
TM8V080B12MP12C	CF42B	1.03	1.03	0.95
TM8V080C16MP11C	CF/CM/CU36C	1.03	1.07	0.95
TM8V080C16MP11C	CF/CM/CU42C	1.03	1.12	0.95
TM8V080C16MP11C	CF/CM/CU48C	1.03	1.08	0.95
TM8V080C16MP11C	CF/CM/CU48D	1.03	1.09	0.95
TM8V080C16MP11C	CF/CM30C	1.03	1.06	0.95
TM8V080C16MP11C	CF/CM36D	1.03	1.07	0.95
TM8V080C16MP11C	CF/CM42D	1.03	1.12	0.95
TM8V080C16MP12C	CF/CM/CU36C	1.03	1.07	0.95
TM8V080C16MP12C	CF/CM/CU42C	1.03	1.12	0.95
TM8V080C16MP12C	CF/CM/CU48C	1.03	1.08	0.95
TM8V080C16MP12C	CF/CM/CU48D	1.03	1.09	0.95
TM8V080C16MP12C	CF/CM30C	1.03	1.06	0.95
TM8V080C16MP12C	CF/CM36D	1.03	1.07	0.95
TM8V080C16MP12C	CF/CM42D	1.03	1.12	0.95
TM8V100C16MP11C	CF/CM/CU36C	1.03	1.07	0.95
TM8V100C16MP11C	CF/CM/CU42C	1.03	1.12	0.95
TM8V100C16MP11C	CF/CM/CU48C	1.03	1.08	0.95
TM8V100C16MP11C	CF/CM/CU48D	1.03	1.09	0.95
TM8V100C16MP11C	CF/CM30C	1.03	1.06	0.95
TM8V100C16MP11C	CF/CM36D	1.03	1.07	0.95
TM8V100C16MP11C	CF/CM42D	1.03	1.12	0.95
TM8V100C16MP12C	CF/CM/CU36C	1.03	1.07	0.95
TM8V100C16MP12C	CF/CM/CU42C	1.03	1.12	0.95
TM8V100C16MP12C	CF/CM/CU48C	1.03	1.08	0.95
TM8V100C16MP12C	CF/CM/CU48D	1.03	1.09	0.95
TM8V100C16MP12C	CF/CM30C	1.03	1.06	0.95
TM8V100C16MP12C	CF/CM36D	1.03	1.07	0.95
TM8V100C16MP12C	CF/CM42D	1.03	1.12	0.95
TM8V100C20MP11C	CF/CM/CU36C	1.03	1.23	0.95
TM8V100C20MP11C	CF/CM/CU42C	1.03	1.24	0.95
TM8V100C20MP11C	CF/CM/CU48C	1.03	1.25	0.95
TM8V100C20MP11C	CF/CM/CU48D	1.03	1.25	0.95
TM8V100C20MP11C	CF/CM30C	1.03	1.13	0.95
TM8V100C20MP11C	CF/CM36D	1.03	1.24	0.95
TM8V100C20MP11C	CF/CM42D	1.03	1.24	0.95
TM8V100C20MP12C	CF/CM/CU36C	1.03	1.23	0.95
TM8V100C20MP12C	CF/CM/CU42C	1.03	1.24	0.95
TM8V100C20MP12C	CF/CM/CU48C	1.03	1.25	0.95
TM8V100C20MP12C	CF/CM/CU48D	1.03	1.25	0.95
TM8V100C20MP12C	CF/CM30C	1.03	1.13	0.95
TM8V100C20MP12C	CF/CM36D	1.03	1.24	0.95
TM8V100C20MP12C	CF/CM42D	1.03	1.24	0.95
TM8V120C20MP11C	CF/CM/CU36C	1.03	1.23	0.95
TM8V120C20MP11C	CF/CM/CU42C	1.03	1.24	0.95
TM8V120C20MP11C	CF/CM/CU48C	1.03	1.25	0.95
TM8V120C20MP11C	CF/CM/CU48D	1.03	1.25	0.95
TM8V120C20MP11C	CF/CM30C	1.03	1.13	0.95
TM8V120C20MP11C	CF/CM36D	1.03	1.24	0.95
TM8V120C20MP11C	CF/CM42D	1.03	1.24	0.95
TM8V120C20MP12C	CF/CM/CU36C	1.03	1.23	0.95

Furnaces	Coils	T.C.	S.C.	KW
TM8V120C20MP12C	CF/CM/CU42C	1.03	1.24	0.95
TM8V120C20MP12C	CF/CM/CU48C	1.03	1.25	0.95
TM8V120C20MP12C	CF/CM/CU48D	1.03	1.25	0.95
TM8V120C20MP12C	CF/CM30C	1.03	1.13	0.95
TM8V120C20MP12C	CF/CM36D	1.03	1.24	0.95
TM8V120C20MP12C	CF/CM42D	1.03	1.24	0.95
TM8X060A12MP11	CF/CM/CU30B	1.03	1.10	0.95
TM8X060A12MP11	CF/CM/CU36B	1.03	1.10	0.95
TM8X060A12MP11	CF42B	1.03	1.10	0.95
TM8X080B12MP11	CF/CM/CU30B	1.02	1.03	0.94
TM8X080B12MP11	CF/CM/CU36B	1.03	1.05	0.95
TM8X080B12MP11	CF/CM/CU36C	1.03	1.05	0.95
TM8X080B12MP11	CF/CM/CU42C	1.03	1.04	0.95
TM8X080B12MP11	CF/CM/CU48C	1.03	1.05	0.95
TM8X080B12MP11	CF/CM30C	1.02	1.03	0.94
TM8X080B12MP11	CF42B	1.02	1.02	0.94
TM8X080C16MP11	CF/CM/CU36C	1.03	1.12	0.95
TM8X080C16MP11	CF/CM/CU42C	1.03	1.12	0.95
TM8X080C16MP11	CF/CM/CU48C	1.03	1.12	0.95
TM8X080C16MP11	CF/CM/CU48D	1.03	1.15	0.95
TM8X080C16MP11	CF/CM30C	1.03	1.11	0.95
TM8X080C16MP11	CF/CM36D	1.03	1.12	0.95
TM8X080C16MP11	CF/CM42D	1.03	1.14	0.95
TM8X100C16MP11	CF/CM/CU36C	1.03	1.12	0.95
TM8X100C16MP11	CF/CM/CU42C	1.03	1.12	0.95
TM8X100C16MP11	CF/CM/CU48C	1.03	1.12	0.95
TM8X100C16MP11	CF/CM/CU48D	1.03	1.15	0.95
TM8X100C16MP11	CF/CM30C	1.03	1.11	0.95
TM8X100C16MP11	CF/CM36D	1.03	1.12	0.95
TM8X100C16MP11	CF/CM42D	1.03	1.14	0.95
TM8X100C20MP11	CF/CM/CU36C	1.03	1.15	0.95
TM8X100C20MP11	CF/CM/CU42C	1.03	1.15	0.95
TM8X100C20MP11	CF/CM/CU48C	1.03	1.16	0.95
TM8X100C20MP11	CF/CM/CU48D	1.03	1.16	0.95
TM8X100C20MP11	CF/CM30C	1.03	1.14	0.95
TM8X100C20MP11	CF/CM36D	1.03	1.15	0.95
TM8X100C20MP11	CF/CM42D	1.03	1.15	0.95
TM8X120C20MP11	CF/CM/CU36C	1.03	1.15	0.95
TM8X120C20MP11	CF/CM/CU42C	1.03	1.15	0.95
TM8X120C20MP11	CF/CM/CU48C	1.03	1.16	0.95
TM8X120C20MP11	CF/CM/CU48D	1.03	1.16	0.95
TM8X120C20MP11	CF/CM30C	1.03	1.14	0.95
TM8X120C20MP11	CF/CM36D	1.03	1.15	0.95
TM8X120C20MP11	CF/CM42D	1.03	1.15	0.95
TM8Y060A12MP11	CF/CM/CU30B	1.03	1.10	0.95
TM8Y060A12MP11	CF/CM/CU36B	1.03	1.10	0.95
TM8Y060A12MP11	CF42B	1.03	1.10	0.95
TM8Y080B12MP11	CF/CM/CU30B	1.02	1.03	0.94
TM8Y080B12MP11	CF/CM/CU36B	1.03	1.05	0.95
TM8Y080B12MP11	CF/CM/CU36C	1.03	1.05	0.95
TM8Y080B12MP11	CF/CM/CU42C	1.03	1.04	0.95
TM8Y080B12MP11	CF/CM/CU48C	1.03	1.05	0.95
TM8Y080B12MP11	CF/CM30C	1.02	1.03	0.94
TM8Y080B12MP11	CF42B	1.02	1.02	0.94
TM8Y080C16MP11	CF/CM/CU36C	1.03	1.12	0.95
TM8Y080C16MP11	CF/CM/CU42C	1.03	1.12	0.95

Furnaces	Coils	T.C.	S.C.	KW
TM8Y080C16MP11	CF/CM/CU48C	1.03	1.12	0.95
TM8Y080C16MP11	CF/CM/CU48D	1.03	1.15	0.95
TM8Y080C16MP11	CF/CM30C	1.03	1.11	0.95
TM8Y080C16MP11	CF/CM36D	1.03	1.12	0.95
TM8Y080C16MP11	CF/CM42D	1.03	1.14	0.95
TM8Y100C16MP11	CF/CM/CU36C	1.03	1.12	0.95
TM8Y100C16MP11	CF/CM/CU42C	1.03	1.12	0.95
TM8Y100C16MP11	CF/CM/CU48C	1.03	1.12	0.95
TM8Y100C16MP11	CF/CM/CU48D	1.03	1.15	0.95
TM8Y100C16MP11	CF/CM30C	1.03	1.11	0.95
TM8Y100C16MP11	CF/CM36D	1.03	1.12	0.95
TM8Y100C16MP11	CF/CM42D	1.03	1.14	0.95
TM8Y100C20MP11	CF/CM/CU36C	1.03	1.15	0.95
TM8Y100C20MP11	CF/CM/CU42C	1.03	1.15	0.95
TM8Y100C20MP11	CF/CM/CU48C	1.03	1.16	0.95
TM8Y100C20MP11	CF/CM/CU48D	1.03	1.16	0.95
TM8Y100C20MP11	CF/CM30C	1.03	1.14	0.95
TM8Y100C20MP11	CF/CM36D	1.03	1.15	0.95
TM8Y100C20MP11	CF/CM42D	1.03	1.15	0.95
TM8Y120C20MP11	CF/CM/CU36C	1.03	1.15	0.95
TM8Y120C20MP11	CF/CM/CU42C	1.03	1.15	0.95
TM8Y120C20MP11	CF/CM/CU48C	1.03	1.16	0.95
TM8Y120C20MP11	CF/CM/CU48D	1.03	1.16	0.95
TM8Y120C20MP11	CF/CM30C	1.03	1.14	0.95
TM8Y120C20MP11	CF/CM36D	1.03	1.15	0.95
TM8Y120C20MP11	CF/CM42D	1.03	1.15	0.95
TM9E040A10MP11	CF/CM/CU30B	1.01	1.01	0.95
TM9E040A10MP11	CF/CM/CU36B	1.01	1.01	0.93
TM9E040A10MP11	CF/CM36A	1.03	1.10	0.96
TM9E040A10MP11	CF42B	1.01	1.00	0.93
TM9E040A10MP12	CF/CM/CU30B	1.01	1.00	0.93
TM9E040A10MP12	CF/CM/CU36B	1.01	1.02	0.93
TM9E040A10MP12	CF42B	1.01	1.01	0.93
TM9E060A10MP12	CF/CM/CU30B	1.01	1.02	0.93
TM9E060A10MP12	CF/CM/CU36B	1.02	1.04	0.94
TM9E060A10MP12	CF42B	1.03	1.03	0.95
TM9E060B12MP11	CF/CM/CU30B	1.02	1.04	0.94
TM9E060B12MP11	CF/CM/CU36B	1.03	1.04	0.95
TM9E060B12MP11	CF/CM/CU36C	1.03	1.07	0.95
TM9E060B12MP11	CF/CM/CU42C	1.03	1.08	0.95
TM9E060B12MP11	CF/CM/CU48C	1.03	1.08	0.95
TM9E060B12MP11	CF/CM30C	1.03	1.06	0.95
TM9E060B12MP11	CF42B	1.03	1.05	0.95
TM9E060B12MP12	CF/CM/CU30B	1.03	1.09	0.95
TM9E060B12MP12	CF/CM/CU36B	1.03	1.10	0.95
TM9E060B12MP12	CF/CM/CU36C	1.03	1.11	0.95
TM9E060B12MP12	CF/CM/CU42C	1.03	1.12	0.95
TM9E060B12MP12	CF/CM/CU48C	1.03	1.12	0.95
TM9E060B12MP12	CF/CM30C	1.03	1.11	0.95
TM9E060B12MP12	CF42B	1.03	1.09	0.95
TM9E080B12MP11	CF/CM/CU30B	1.03	1.06	0.95
TM9E080B12MP11	CF/CM/CU36B	1.03	1.07	0.95
TM9E080B12MP11	CF/CM/CU36C	1.03	1.08	0.95
TM9E080B12MP11	CF/CM/CU42C	1.03	1.08	0.95
TM9E080B12MP11	CF/CM/CU48C	1.03	1.09	0.95
TM9E080B12MP11	CF/CM30C	1.03	1.09	0.95

Furnaces	Coils	T.C.	S.C.	KW
TM9E080B12MP11	CF42B	1.03	1.09	0.95
TM9E080B12MP12	CF/CM/CU30B	1.03	1.10	0.95
TM9E080B12MP12	CF/CM/CU36B	1.03	1.10	0.95
TM9E080B12MP12	CF/CM/CU36C	1.02	1.02	0.94
TM9E080B12MP12	CF/CM/CU42C	1.02	1.02	0.94
TM9E080B12MP12	CF/CM/CU48C	1.03	1.01	0.95
TM9E080B12MP12	CF/CM30C	1.01	1.01	0.93
TM9E080B12MP12	CF42B	1.03	1.10	0.95
TM9E080C16MP11	CF/CM/CU36C	1.03	1.12	0.95
TM9E080C16MP11	CF/CM/CU42C	1.03	1.13	0.95
TM9E080C16MP11	CF/CM/CU48C	1.03	1.15	0.95
TM9E080C16MP11	CF/CM/CU48D	1.03	1.15	0.95
TM9E080C16MP11	CF/CM30C	1.03	1.12	0.95
TM9E080C16MP11	CF/CM36D	1.03	1.12	0.95
TM9E080C16MP11	CF/CM42D	1.03	1.13	0.95
TM9E080C16MP12	CF/CM/CU36C	1.03	1.07	0.95
TM9E080C16MP12	CF/CM/CU42C	1.03	1.08	0.95
TM9E080C16MP12	CF/CM/CU48C	1.03	1.10	0.95
TM9E080C16MP12	CF/CM/CU48D	1.03	1.10	0.95
TM9E080C16MP12	CF/CM30C	1.03	1.06	0.95
TM9E080C16MP12	CF/CM36D	1.03	1.09	0.95
TM9E080C16MP12	CF/CM42D	1.03	1.09	0.95
TM9E100C16MP11	CF/CM/CU36C	1.03	1.12	0.95
TM9E100C16MP11	CF/CM/CU42C	1.03	1.13	0.95
TM9E100C16MP11	CF/CM/CU48C	1.03	1.16	0.95
TM9E100C16MP11	CF/CM/CU48D	1.03	1.16	0.95
TM9E100C16MP11	CF/CM30C	1.03	1.13	0.95
TM9E100C16MP11	CF/CM36D	1.03	1.16	0.95
TM9E100C16MP11	CF/CM42D	1.03	1.15	0.95
TM9E100C16MP12	CF/CM/CU36C	1.03	1.10	0.95
TM9E100C16MP12	CF/CM/CU42C	1.03	1.10	0.95
TM9E100C16MP12	CF/CM/CU48C	1.03	1.11	0.95
TM9E100C16MP12	CF/CM/CU48D	1.03	1.12	0.95
TM9E100C16MP12	CF/CM30C	1.03	1.10	0.95
TM9E100C16MP12	CF/CM36D	1.03	1.12	0.95
TM9E100C16MP12	CF/CM42D	1.03	1.12	0.95
TM9E100C20MP11	CF/CM/CU36C	1.03	1.24	0.95
TM9E100C20MP11	CF/CM/CU42C	1.03	1.25	0.95
TM9E100C20MP11	CF/CM/CU48C	1.03	1.26	0.95
TM9E100C20MP11	CF/CM/CU48D	1.03	1.26	0.95
TM9E100C20MP11	CF/CM30C	1.03	1.15	0.95
TM9E100C20MP11	CF/CM36D	1.03	1.25	0.95
TM9E100C20MP11	CF/CM42D	1.03	1.26	0.95
TM9E100C20MP12	CF/CM/CU36C	1.03	1.25	0.95
TM9E100C20MP12	CF/CM30C	1.03	1.16	0.95
TM9E120D20MP11	CF/CM/CU48D	1.03	1.13	0.95
TM9E120D20MP11	CF/CM36D	1.03	1.12	0.95
TM9E120D20MP11	CF/CM42D	1.03	1.12	0.95
TM9V040A10MP12C	CF/CM/CU30B	1.01	1.00	0.93
TM9V040A10MP12C	CF/CM/CU36B	1.01	1.02	0.93
TM9V040A10MP12C	CF42B	1.01	1.01	0.93
TM9V060B12MP12C	CF/CM/CU30B	1.02	1.06	0.94
TM9V060B12MP12C	CF/CM/CU36B	1.03	1.07	0.95
TM9V060B12MP12C	CF/CM/CU36C	1.03	1.07	0.95
TM9V060B12MP12C	CF/CM/CU42C	1.03	1.08	0.95
TM9V060B12MP12C	CF/CM/CU48C	1.03	1.08	0.95

Furnaces	Coils	T.C.	S.C.	KW
TM9V060B12MP12C	CF/CM30C	1.02	1.05	0.94
TM9V060B12MP12C	CF42B	1.03	1.08	0.95
TM9V080B12MP11C	CF/CM/CU30B	1.03	1.06	0.95
TM9V080B12MP11C	CF/CM/CU36B	1.02	1.03	0.94
TM9V080B12MP11C	CF/CM/CU36C	1.02	1.02	0.94
TM9V080B12MP11C	CF/CM/CU42C	1.02	1.02	0.94
TM9V080B12MP11C	CF/CM/CU48C	1.03	1.02	0.95
TM9V080B12MP11C	CF/CM30C	1.03	1.06	0.95
TM9V080B12MP11C	CF42B	1.02	1.02	0.94
TM9V080B12MP12C	CF/CM/CU30B	1.03	1.06	0.95
TM9V080B12MP12C	CF/CM/CU36B	1.02	1.03	0.94
TM9V080B12MP12C	CF/CM/CU36C	1.02	1.02	0.94
TM9V080B12MP12C	CF/CM/CU42C	1.02	1.02	0.94
TM9V080B12MP12C	CF/CM/CU48C	1.03	1.02	0.95
TM9V080B12MP12C	CF/CM30C	1.03	1.06	0.95
TM9V080B12MP12C	CF42B	1.02	1.02	0.94
TM9V080C16MP11C	CF/CM/CU36C	1.03	1.12	0.95
TM9V080C16MP11C	CF/CM/CU42C	1.03	1.12	0.95
TM9V080C16MP11C	CF/CM/CU48C	1.03	1.13	0.95
TM9V080C16MP11C	CF/CM/CU48D	1.03	1.12	0.95
TM9V080C16MP11C	CF/CM30C	1.03	1.12	0.95
TM9V080C16MP11C	CF/CM36D	1.03	1.12	0.95
TM9V080C16MP11C	CF/CM42D	1.03	1.12	0.95
TM9V080C16MP12C	CF/CM/CU36C	1.03	1.12	0.95
TM9V080C16MP12C	CF/CM/CU42C	1.03	1.12	0.95
TM9V080C16MP12C	CF/CM/CU48C	1.03	1.13	0.95
TM9V080C16MP12C	CF/CM/CU48D	1.03	1.12	0.95
TM9V080C16MP12C	CF/CM30C	1.03	1.12	0.95
TM9V080C16MP12C	CF/CM36D	1.03	1.12	0.95
TM9V080C16MP12C	CF/CM42D	1.03	1.12	0.95
TM9V100C16MP11C	CF/CM/CU36C	1.03	1.09	0.95
TM9V100C16MP11C	CF/CM/CU42C	1.03	1.09	0.95
TM9V100C16MP11C	CF/CM/CU48C	1.03	1.10	0.95
TM9V100C16MP11C	CF/CM/CU48D	1.03	1.10	0.95
TM9V100C16MP11C	CF/CM30C	1.03	1.14	0.95
TM9V100C16MP11C	CF/CM36D	1.03	1.09	0.95
TM9V100C16MP11C	CF/CM42D	1.03	1.09	0.95
TM9V100C16MP12C	CF/CM/CU36C	1.03	1.09	0.95
TM9V100C16MP12C	CF/CM/CU42C	1.03	1.09	0.95
TM9V100C16MP12C	CF/CM/CU48C	1.03	1.10	0.95
TM9V100C16MP12C	CF/CM/CU48D	1.03	1.10	0.95
TM9V100C16MP12C	CF/CM30C	1.03	1.14	0.95
TM9V100C16MP12C	CF/CM36D	1.03	1.09	0.95
TM9V100C16MP12C	CF/CM42D	1.03	1.09	0.95
TM9V100C20MP11C	CF/CM/CU36C	1.03	1.20	0.95
TM9V100C20MP11C	CF/CM/CU42C	1.03	1.21	0.95
TM9V100C20MP11C	CF/CM/CU48C	1.03	1.20	0.95
TM9V100C20MP11C	CF/CM/CU48D	1.03	1.20	0.95
TM9V100C20MP11C	CF/CM30C	1.03	1.20	0.95
TM9V100C20MP11C	CF/CM36D	1.03	1.20	0.95
TM9V100C20MP11C	CF/CM42D	1.03	1.21	0.95
TM9V100C20MP12C	CF/CM/CU36C	1.03	1.20	0.95
TM9V100C20MP12C	CF/CM/CU42C	1.03	1.21	0.95
TM9V100C20MP12C	CF/CM/CU48C	1.03	1.20	0.95
TM9V100C20MP12C	CF/CM/CU48D	1.03	1.20	0.95
TM9V100C20MP12C	CF/CM30C	1.03	1.20	0.95

Furnaces	Coils	T.C.	S.C.	KW
TM9V100C20MP12C	CF/CM36D	1.03	1.20	0.95
TM9V100C20MP12C	CF/CM42D	1.03	1.21	0.95
TM9V120D20MP11C	CF/CM/CU48D	1.03	1.20	0.95
TM9V120D20MP11C	CF/CM36D	1.03	1.20	0.95
TM9V120D20MP11C	CF/CM42D	1.03	1.18	0.95
TM9V120D20MP12C	CF/CM/CU48D	1.03	1.20	0.95
TM9V120D20MP12C	CF/CM36D	1.03	1.20	0.95
TM9V120D20MP12C	CF/CM42D	1.03	1.18	0.95
TM9Y040A10MP11	CF/CM/CU30B	1.01	1.01	0.95
TM9Y040A10MP11	CF/CM/CU36B	1.01	1.01	0.93
TM9Y040A10MP11	CF/CM36A	1.03	1.10	0.96
TM9Y040A10MP11	CF42B	1.01	1.00	0.93
TM9Y060B12MP11	CF/CM/CU30B	1.02	1.04	0.94
TM9Y060B12MP11	CF/CM/CU36B	1.03	1.04	0.95
TM9Y060B12MP11	CF/CM/CU36C	1.03	1.07	0.95
TM9Y060B12MP11	CF/CM/CU42C	1.03	1.08	0.95
TM9Y060B12MP11	CF/CM/CU48C	1.03	1.08	0.95
TM9Y060B12MP11	CF/CM30C	1.03	1.06	0.95
TM9Y060B12MP11	CF42B	1.03	1.05	0.95
TM9Y080B12MP11	CF/CM/CU30B	1.03	1.06	0.95
TM9Y080B12MP11	CF/CM/CU36B	1.03	1.07	0.95
TM9Y080B12MP11	CF/CM/CU36C	1.03	1.08	0.95
TM9Y080B12MP11	CF/CM/CU42C	1.03	1.08	0.95
TM9Y080B12MP11	CF/CM/CU48C	1.03	1.09	0.95
TM9Y080B12MP11	CF/CM30C	1.03	1.09	0.95
TM9Y080B12MP11	CF42B	1.03	1.09	0.95
TM9Y080C16MP11	CF/CM/CU36C	1.03	1.12	0.95
TM9Y080C16MP11	CF/CM/CU42C	1.03	1.13	0.95
TM9Y080C16MP11	CF/CM/CU48C	1.03	1.15	0.95
TM9Y080C16MP11	CF/CM/CU48D	1.03	1.15	0.95
TM9Y080C16MP11	CF/CM30C	1.03	1.12	0.95
TM9Y080C16MP11	CF/CM36D	1.03	1.12	0.95
TM9Y080C16MP11	CF/CM42D	1.03	1.13	0.95
TM9Y100C16MP11	CF/CM/CU36C	1.03	1.12	0.95
TM9Y100C16MP11	CF/CM/CU42C	1.03	1.13	0.95
TM9Y100C16MP11	CF/CM/CU48C	1.03	1.16	0.95
TM9Y100C16MP11	CF/CM/CU48D	1.03	1.16	0.95
TM9Y100C16MP11	CF/CM30C	1.03	1.13	0.95
TM9Y100C16MP11	CF/CM36D	1.03	1.16	0.95
TM9Y100C16MP11	CF/CM42D	1.03	1.15	0.95
TM9Y100C20MP11	CF/CM/CU36C	1.03	1.24	0.95
TM9Y100C20MP11	CF/CM/CU42C	1.03	1.25	0.95
TM9Y100C20MP11	CF/CM/CU48C	1.03	1.26	0.95
TM9Y100C20MP11	CF/CM/CU48D	1.03	1.26	0.95
TM9Y100C20MP11	CF/CM30C	1.03	1.15	0.95
TM9Y100C20MP11	CF/CM36D	1.03	1.25	0.95
TM9Y100C20MP11	CF/CM42D	1.03	1.26	0.95
TM9Y120D20MP11	CF/CM/CU48D	1.03	1.13	0.95
TM9Y120D20MP11	CF/CM36D	1.03	1.12	0.95
TM9Y120D20MP11	CF/CM42D	1.03	1.12	0.95
TMLE040A12MP11	CF/CM/CU30B	1.03	1.06	0.95
TMLE040A12MP11	CF/CM/CU36B	1.03	1.07	0.95
TMLE040A12MP11	CF42B	1.03	1.05	0.95
TMLE060A12MP11	CF/CM/CU30B	1.03	1.06	0.95
TMLE060A12MP11	CF/CM/CU36B	1.03	1.07	0.95
TMLE060A12MP11	CF42B	1.02	1.02	0.94

Furnaces	Coils	T.C.	S.C.	KW
TMLE080B12MP11	CF/CM/CU30B	1.03	1.09	0.95
TMLE080B12MP11	CF/CM/CU36B	1.03	1.07	0.95
TMLE080B12MP11	CF/CM/CU36C	1.03	1.08	0.95
TMLE080B12MP11	CF/CM/CU42C	1.03	1.08	0.95
TMLE080B12MP11	CF/CM/CU48C	1.03	1.09	0.95
TMLE080B12MP11	CF/CM30C	1.03	1.09	0.95
TMLE080B12MP11	CF42B	1.03	1.09	0.95
TMLE080C16MP11	CF/CM/CU36C	1.03	1.12	0.95
TMLE080C16MP11	CF/CM/CU42C	1.03	1.12	0.95
TMLE080C16MP11	CF/CM/CU48C	1.03	1.02	0.95
TMLE080C16MP11	CF/CM/CU48D	1.03	1.12	0.95
TMLE080C16MP11	CF/CM30C	1.03	1.11	0.95
TMLE080C16MP11	CF/CM36D	1.03	1.12	0.95
TMLE080C16MP11	CF/CM42D	1.03	1.12	0.95
TMLE100B12MP11	CF/CM/CU30B	1.02	1.03	0.94
TMLE100B12MP11	CF/CM/CU36B	1.03	1.05	0.95
TMLE100B12MP11	CF/CM/CU36C	1.03	1.05	0.95
TMLE100B12MP11	CF/CM/CU42C	1.03	1.06	0.95
TMLE100B12MP11	CF/CM/CU48C	1.03	1.05	0.95
TMLE100B12MP11	CF/CM30C	1.03	1.10	0.95
TMLE100B12MP11	CF42B	1.02	1.02	0.94
TMLE100C16MP11	CF/CM/CU36C	1.03	1.10	0.95
TMLE100C16MP11	CF/CM/CU42C	1.03	1.10	0.95
TMLE100C16MP11	CF/CM/CU48C	1.03	1.12	0.95
TMLE100C16MP11	CF/CM/CU48D	1.03	1.12	0.95
TMLE100C16MP11	CF/CM30C	1.03	1.10	0.95
TMLE100C16MP11	CF/CM36D	1.03	1.12	0.95
TMLE100C16MP11	CF/CM42D	1.03	1.12	0.95
TMLE120C16MP11	CF/CM/CU36C	1.03	1.12	0.95
TMLE120C16MP11	CF/CM/CU42C	1.03	1.12	0.95
TMLE120C16MP11	CF/CM/CU48C	1.03	1.12	0.95
TMLE120C16MP11	CF/CM/CU48D	1.03	1.12	0.95
TMLE120C16MP11	CF/CM30C	1.03	1.11	0.95
TMLE120C16MP11	CF/CM36D	1.03	1.12	0.95
TMLE120C16MP11	CF/CM42D	1.03	1.12	0.95
TMLV060A12MP11C	CF/CM/CU30B	1.03	1.06	0.95
TMLV060A12MP11C	CF/CM/CU36B	1.02	1.03	0.94
TMLV060A12MP11C	CF42B	1.02	1.02	0.94
TMLV060A12MP12C	CF/CM/CU30B	1.03	1.06	0.95
TMLV060A12MP12C	CF/CM/CU36B	1.02	1.03	0.94
TMLV060A12MP12C	CF/CM36A	1.02	1.06	0.94
TMLV060A12MP12C	CF42B	1.02	1.02	0.94
TMLV080B12MP11C	CF/CM/CU30B	1.01	1.02	0.93
TMLV080B12MP11C	CF/CM/CU36B	1.02	1.04	0.94
TMLV080B12MP11C	CF/CM/CU36C	1.02	1.04	0.94
TMLV080B12MP11C	CF/CM/CU42C	1.03	1.03	0.95
TMLV080B12MP11C	CF/CM/CU48C	1.03	1.04	0.95
TMLV080B12MP11C	CF/CM30C	1.01	1.02	0.93
TMLV080B12MP11C	CF42B	1.03	1.03	0.95
TMLV080B12MP12C	CF/CM/CU30B	1.01	1.02	0.93
TMLV080B12MP12C	CF/CM/CU36B	1.02	1.04	0.94
TMLV080B12MP12C	CF/CM/CU36C	1.02	1.04	0.94
TMLV080B12MP12C	CF/CM/CU42C	1.03	1.03	0.95
TMLV080B12MP12C	CF/CM/CU48C	1.03	1.04	0.95
TMLV080B12MP12C	CF/CM30C	1.01	1.02	0.93
TMLV080B12MP12C	CF42B	1.03	1.03	0.95

Furnaces	Coils	T.C.	S.C.	KW
TMLV080C16MP11C	CF/CM/CU36C	1.03	1.07	0.95
TMLV080C16MP11C	CF/CM/CU42C	1.03	1.12	0.95
TMLV080C16MP11C	CF/CM/CU48C	1.03	1.08	0.95
TMLV080C16MP11C	CF/CM/CU48D	1.03	1.09	0.95
TMLV080C16MP11C	CF/CM30C	1.03	1.06	0.95
TMLV080C16MP11C	CF/CM36D	1.03	1.07	0.95
TMLV080C16MP11C	CF/CM42D	1.03	1.12	0.95
TMLV080C16MP12C	CF/CM/CU36C	1.03	1.07	0.95
TMLV080C16MP12C	CF/CM/CU42C	1.03	1.12	0.95
TMLV080C16MP12C	CF/CM/CU48C	1.03	1.08	0.95
TMLV080C16MP12C	CF/CM/CU48D	1.03	1.09	0.95
TMLV080C16MP12C	CF/CM30C	1.03	1.06	0.95
TMLV080C16MP12C	CF/CM36D	1.03	1.07	0.95
TMLV080C16MP12C	CF/CM42D	1.03	1.12	0.95
TMLV100C16MP11C	CF/CM/CU36C	1.03	1.07	0.95
TMLV100C16MP11C	CF/CM/CU42C	1.03	1.12	0.95
TMLV100C16MP11C	CF/CM/CU48C	1.03	1.08	0.95
TMLV100C16MP11C	CF/CM/CU48D	1.03	1.09	0.95
TMLV100C16MP11C	CF/CM30C	1.03	1.06	0.95
TMLV100C16MP11C	CF/CM36D	1.03	1.07	0.95
TMLV100C16MP11C	CF/CM42D	1.03	1.12	0.95
TMLV100C16MP12C	CF/CM/CU36C	1.03	1.07	0.95
TMLV100C16MP12C	CF/CM/CU42C	1.03	1.12	0.95
TMLV100C16MP12C	CF/CM/CU48C	1.03	1.08	0.95
TMLV100C16MP12C	CF/CM/CU48D	1.03	1.09	0.95
TMLV100C16MP12C	CF/CM30C	1.03	1.06	0.95
TMLV100C16MP12C	CF/CM36D	1.03	1.07	0.95
TMLV100C16MP12C	CF/CM42D	1.03	1.12	0.95
TMLV100C20MP11C	CF/CM/CU36C	1.03	1.23	0.95
TMLV100C20MP11C	CF/CM/CU42C	1.03	1.24	0.95
TMLV100C20MP11C	CF/CM/CU48C	1.03	1.25	0.95
TMLV100C20MP11C	CF/CM/CU48D	1.03	1.25	0.95
TMLV100C20MP11C	CF/CM30C	1.03	1.13	0.95
TMLV100C20MP11C	CF/CM36D	1.03	1.24	0.95
TMLV100C20MP11C	CF/CM42D	1.03	1.24	0.95
TMLV100C20MP12C	CF/CM/CU36C	1.03	1.23	0.95
TMLV100C20MP12C	CF/CM/CU42C	1.03	1.24	0.95
TMLV100C20MP12C	CF/CM/CU48C	1.03	1.25	0.95
TMLV100C20MP12C	CF/CM/CU48D	1.03	1.25	0.95
TMLV100C20MP12C	CF/CM30C	1.03	1.13	0.95
TMLV100C20MP12C	CF/CM36D	1.03	1.24	0.95
TMLV100C20MP12C	CF/CM42D	1.03	1.24	0.95
TMLV120C20MP11C	CF/CM/CU36C	1.03	1.23	0.95
TMLV120C20MP11C	CF/CM/CU42C	1.03	1.24	0.95
TMLV120C20MP11C	CF/CM/CU48C	1.03	1.25	0.95
TMLV120C20MP11C	CF/CM/CU48D	1.03	1.25	0.95
TMLV120C20MP11C	CF/CM30C	1.03	1.13	0.95
TMLV120C20MP11C	CF/CM36D	1.03	1.24	0.95
TMLV120C20MP11C	CF/CM42D	1.03	1.24	0.95
TMLV120C20MP12C	CF/CM/CU36C	1.03	1.23	0.95
TMLV120C20MP12C	CF/CM/CU42C	1.03	1.24	0.95
TMLV120C20MP12C	CF/CM/CU48C	1.03	1.25	0.95
TMLV120C20MP12C	CF/CM/CU48D	1.03	1.25	0.95
TMLV120C20MP12C	CF/CM30C	1.03	1.13	0.95
TMLV120C20MP12C	CF/CM36D	1.03	1.24	0.95
TMLV120C20MP12C	CF/CM42D	1.03	1.24	0.95

Furnaces	Coils	T.C.	S.C.	KW
TMLX060A12MP11	CF/CM/CU30B	1.03	1.10	0.95
TMLX060A12MP11	CF/CM/CU36B	1.03	1.10	0.95
TMLX060A12MP11	CF42B	1.03	1.10	0.95
TMLX080B12MP11	CF/CM/CU30B	1.02	1.03	0.94
TMLX080B12MP11	CF/CM/CU36B	1.03	1.05	0.95
TMLX080B12MP11	CF/CM/CU36C	1.03	1.05	0.95
TMLX080B12MP11	CF/CM/CU42C	1.03	1.04	0.95
TMLX080B12MP11	CF/CM/CU48C	1.03	1.05	0.95
TMLX080B12MP11	CF/CM30C	1.02	1.03	0.94
TMLX080B12MP11	CF42B	1.02	1.02	0.94
TMLX080C16MP11	CF/CM/CU36C	1.03	1.12	0.95
TMLX080C16MP11	CF/CM/CU42C	1.03	1.12	0.95
TMLX080C16MP11	CF/CM/CU48C	1.03	1.12	0.95
TMLX080C16MP11	CF/CM/CU48D	1.03	1.15	0.95
TMLX080C16MP11	CF/CM30C	1.03	1.11	0.95
TMLX080C16MP11	CF/CM36D	1.03	1.12	0.95
TMLX080C16MP11	CF/CM42D	1.03	1.14	0.95
TMLX100C16MP11	CF/CM/CU36C	1.03	1.12	0.95
TMLX100C16MP11	CF/CM/CU42C	1.03	1.12	0.95
TMLX100C16MP11	CF/CM/CU48C	1.03	1.12	0.95
TMLX100C16MP11	CF/CM/CU48D	1.03	1.15	0.95
TMLX100C16MP11	CF/CM30C	1.03	1.11	0.95
TMLX100C16MP11	CF/CM36D	1.03	1.12	0.95
TMLX100C16MP11	CF/CM42D	1.03	1.14	0.95
TMLX100C20MP11	CF/CM/CU36C	1.03	1.15	0.95
TMLX100C20MP11	CF/CM/CU42C	1.03	1.15	0.95
TMLX100C20MP11	CF/CM/CU48C	1.03	1.16	0.95
TMLX100C20MP11	CF/CM/CU48D	1.03	1.16	0.95
TMLX100C20MP11	CF/CM30C	1.03	1.14	0.95
TMLX100C20MP11	CF/CM36D	1.03	1.15	0.95
TMLX100C20MP11	CF/CM42D	1.03	1.15	0.95
TMLX120C20MP11	CF/CM/CU36C	1.03	1.15	0.95
TMLX120C20MP11	CF/CM/CU42C	1.03	1.15	0.95
TMLX120C20MP11	CF/CM/CU48C	1.03	1.16	0.95
TMLX120C20MP11	CF/CM/CU48D	1.03	1.16	0.95
TMLX120C20MP11	CF/CM30C	1.03	1.14	0.95
TMLX120C20MP11	CF/CM36D	1.03	1.15	0.95
TMLX120C20MP11	CF/CM42D	1.03	1.15	0.95
TP9C060B12MP13C	CF/CM/CU30B	1.02	1.06	0.94
TP9C060B12MP13C	CF/CM/CU36B	1.03	1.07	0.95
TP9C060B12MP13C	CF/CM/CU36C	1.03	1.07	0.95
TP9C060B12MP13C	CF/CM/CU42C	1.03	1.08	0.95
TP9C060B12MP13C	CF/CM/CU48C	1.03	1.08	0.95
TP9C060B12MP13C	CF/CM30C	1.02	1.05	0.94
TP9C060B12MP13C	CF42B	1.03	1.08	0.95
TP9C080B12MP12C	CF/CM/CU30B	1.03	1.06	0.95
TP9C080B12MP12C	CF/CM/CU36B	1.02	1.03	0.94
TP9C080B12MP12C	CF/CM/CU36C	1.02	1.02	0.94
TP9C080B12MP12C	CF/CM/CU42C	1.02	1.02	0.94
TP9C080B12MP12C	CF/CM/CU48C	1.03	1.02	0.95
TP9C080B12MP12C	CF/CM30C	1.03	1.06	0.95
TP9C080B12MP12C	CF42B	1.02	1.02	0.94
TP9C080B12MP13C	CF/CM/CU30B	1.03	1.06	0.95
TP9C080B12MP13C	CF/CM/CU36B	1.02	1.03	0.94
TP9C080B12MP13C	CF/CM/CU36C	1.02	1.02	0.94
TP9C080B12MP13C	CF/CM/CU42C	1.02	1.02	0.94

Furnaces	Coils	T.C.	S.C.	KW
TP9C080B12MP13C	CF/CM/CU48C	1.03	1.02	0.95
TP9C080B12MP13C	CF/CM30C	1.03	1.06	0.95
TP9C080B12MP13C	CF42B	1.02	1.02	0.94
TP9C080C16MP13C	CF/CM/CU36C	1.03	1.12	0.95
TP9C080C16MP13C	CF/CM/CU42C	1.03	1.12	0.95
TP9C080C16MP13C	CF/CM/CU48C	1.03	1.13	0.95
TP9C080C16MP13C	CF/CM/CU48D	1.03	1.12	0.95
TP9C080C16MP13C	CF/CM30C	1.03	1.12	0.95
TP9C080C16MP13C	CF/CM36D	1.03	1.12	0.95
TP9C080C16MP13C	CF/CM42D	1.03	1.12	0.95
TP9C100C16MP12C	CF/CM/CU36C	1.03	1.09	0.95
TP9C100C16MP12C	CF/CM/CU42C	1.03	1.09	0.95
TP9C100C16MP12C	CF/CM/CU48C	1.03	1.10	0.95
TP9C100C16MP12C	CF/CM/CU48D	1.03	1.10	0.95
TP9C100C16MP12C	CF/CM30C	1.03	1.14	0.95
TP9C100C16MP12C	CF/CM36D	1.03	1.09	0.95
TP9C100C16MP12C	CF/CM42D	1.03	1.09	0.95
TP9C100C16MP13C	CF/CM/CU36C	1.03	1.09	0.95
TP9C100C16MP13C	CF/CM/CU42C	1.03	1.09	0.95
TP9C100C16MP13C	CF/CM/CU48C	1.03	1.10	0.95
TP9C100C16MP13C	CF/CM/CU48D	1.03	1.10	0.95
TP9C100C16MP13C	CF/CM30C	1.03	1.14	0.95
TP9C100C16MP13C	CF/CM36D	1.03	1.09	0.95
TP9C100C16MP13C	CF/CM42D	1.03	1.09	0.95
TP9C100C20MP12C	CF/CM/CU36C	1.03	1.20	0.95
TP9C100C20MP12C	CF/CM/CU42C	1.03	1.21	0.95
TP9C100C20MP12C	CF/CM/CU48C	1.03	1.20	0.95
TP9C100C20MP12C	CF/CM/CU48D	1.03	1.20	0.95
TP9C100C20MP12C	CF/CM30C	1.03	1.20	0.95
TP9C100C20MP12C	CF/CM36D	1.03	1.20	0.95
TP9C100C20MP12C	CF/CM42D	1.03	1.21	0.95
TP9C100C20MP13C	CF/CM/CU36C	1.03	1.20	0.95
TP9C100C20MP13C	CF/CM/CU42C	1.03	1.21	0.95
TP9C100C20MP13C	CF/CM/CU48C	1.03	1.20	0.95
TP9C100C20MP13C	CF/CM/CU48D	1.03	1.20	0.95
TP9C100C20MP13C	CF/CM30C	1.03	1.20	0.95
TP9C100C20MP13C	CF/CM36D	1.03	1.20	0.95
TP9C100C20MP13C	CF/CM42D	1.03	1.21	0.95
TP9C120D20MP12C	CF/CM/CU48D	1.03	1.20	0.95
TP9C120D20MP12C	CF/CM36D	1.03	1.20	0.95
TP9C120D20MP12C	CF/CM42D	1.03	1.18	0.95
TP9C120D20MP13C	CF/CM/CU48D	1.03	1.20	0.95
TP9C120D20MP13C	CF/CM36D	1.03	1.20	0.95
TP9C120D20MP13C	CF/CM42D	1.03	1.18	0.95
TPLC060A12MP12C	CF/CM/CU30B	1.03	1.06	0.95
TPLC060A12MP12C	CF/CM/CU36B	1.02	1.03	0.94
TPLC060A12MP12C	CF42B	1.02	1.02	0.94
TPLC060A12MP13C	CF/CM/CU30B	1.03	1.06	0.95
TPLC060A12MP13C	CF/CM/CU36B	1.02	1.03	0.94
TPLC060A12MP13C	CF/CM36A	1.02	1.06	0.94
TPLC060A12MP13C	CF42B	1.02	1.02	0.94
TPLC080B12MP12C	CF/CM/CU30B	1.01	1.02	0.93
TPLC080B12MP12C	CF/CM/CU36B	1.02	1.04	0.94
TPLC080B12MP12C	CF/CM/CU36C	1.02	1.04	0.94
TPLC080B12MP12C	CF/CM/CU42C	1.03	1.03	0.95
TPLC080B12MP12C	CF/CM/CU48C	1.03	1.04	0.95

Furnaces	Coils	T.C.	S.C.	KW
TPLC080B12MP12C	CF/CM30C	1.01	1.02	0.93
TPLC080B12MP12C	CF42B	1.03	1.03	0.95
TPLC080B12MP13C	CF/CM/CU30B	1.01	1.02	0.93
TPLC080B12MP13C	CF/CM/CU36B	1.02	1.04	0.94
TPLC080B12MP13C	CF/CM/CU36C	1.02	1.04	0.94
TPLC080B12MP13C	CF/CM/CU42C	1.03	1.03	0.95
TPLC080B12MP13C	CF/CM/CU48C	1.03	1.04	0.95
TPLC080B12MP13C	CF/CM30C	1.01	1.02	0.93
TPLC080B12MP13C	CF42B	1.03	1.03	0.95
TPLC080C16MP12C	CF/CM/CU36C	1.03	1.07	0.95
TPLC080C16MP12C	CF/CM/CU42C	1.03	1.12	0.95
TPLC080C16MP12C	CF/CM/CU48C	1.03	1.08	0.95
TPLC080C16MP12C	CF/CM/CU48D	1.03	1.09	0.95
TPLC080C16MP12C	CF/CM30C	1.03	1.06	0.95
TPLC080C16MP12C	CF/CM36D	1.03	1.07	0.95
TPLC080C16MP12C	CF/CM42D	1.03	1.12	0.95
TPLC080C16MP13C	CF/CM/CU36C	1.03	1.07	0.95
TPLC080C16MP13C	CF/CM/CU42C	1.03	1.12	0.95
TPLC080C16MP13C	CF/CM/CU48C	1.03	1.08	0.95
TPLC080C16MP13C	CF/CM/CU48D	1.03	1.09	0.95
TPLC080C16MP13C	CF/CM30C	1.03	1.06	0.95
TPLC080C16MP13C	CF/CM36D	1.03	1.07	0.95
TPLC080C16MP13C	CF/CM42D	1.03	1.12	0.95
TPLC100C16MP12C	CF/CM/CU36C	1.03	1.07	0.95
TPLC100C16MP12C	CF/CM/CU42C	1.03	1.12	0.95
TPLC100C16MP12C	CF/CM/CU48C	1.03	1.08	0.95
TPLC100C16MP12C	CF/CM/CU48D	1.03	1.09	0.95
TPLC100C16MP12C	CF/CM30C	1.03	1.06	0.95
TPLC100C16MP12C	CF/CM36D	1.03	1.07	0.95
TPLC100C16MP12C	CF/CM42D	1.03	1.12	0.95
TPLC100C16MP13C	CF/CM/CU36C	1.03	1.07	0.95
TPLC100C16MP13C	CF/CM/CU42C	1.03	1.12	0.95
TPLC100C16MP13C	CF/CM/CU48C	1.03	1.08	0.95
TPLC100C16MP13C	CF/CM/CU48D	1.03	1.09	0.95
TPLC100C16MP13C	CF/CM30C	1.03	1.06	0.95
TPLC100C16MP13C	CF/CM36D	1.03	1.07	0.95
TPLC100C16MP13C	CF/CM42D	1.03	1.12	0.95
TPLC100C20MP12C	CF/CM/CU36C	1.03	1.23	0.95
TPLC100C20MP12C	CF/CM/CU42C	1.03	1.24	0.95
TPLC100C20MP12C	CF/CM/CU48C	1.03	1.25	0.95
TPLC100C20MP12C	CF/CM/CU48D	1.03	1.25	0.95
TPLC100C20MP12C	CF/CM30C	1.03	1.13	0.95
TPLC100C20MP12C	CF/CM36D	1.03	1.24	0.95
TPLC100C20MP12C	CF/CM42D	1.03	1.24	0.95
TPLC100C20MP13C	CF/CM/CU36C	1.03	1.23	0.95
TPLC100C20MP13C	CF/CM/CU42C	1.03	1.24	0.95
TPLC100C20MP13C	CF/CM/CU48C	1.03	1.25	0.95
TPLC100C20MP13C	CF/CM/CU48D	1.03	1.25	0.95
TPLC100C20MP13C	CF/CM30C	1.03	1.13	0.95
TPLC100C20MP13C	CF/CM36D	1.03	1.24	0.95
TPLC100C20MP13C	CF/CM42D	1.03	1.24	0.95
TPLC120C20MP12C	CF/CM/CU36C	1.03	1.23	0.95
TPLC120C20MP12C	CF/CM/CU42C	1.03	1.24	0.95
TPLC120C20MP12C	CF/CM/CU48C	1.03	1.25	0.95
TPLC120C20MP12C	CF/CM/CU48D	1.03	1.25	0.95
TPLC120C20MP12C	CF/CM30C	1.03	1.13	0.95

Furnaces	Coils	T.C.	S.C.	KW
TPLC120C20MP12C	CF/CM36D	1.03	1.24	0.95
TPLC120C20MP12C	CF/CM42D	1.03	1.24	0.95
TPLC120C20MP13C	CF/CM/CU36C	1.03	1.23	0.95
TPLC120C20MP13C	CF/CM/CU42C	1.03	1.24	0.95
TPLC120C20MP13C	CF/CM/CU48C	1.03	1.25	0.95
TPLC120C20MP13C	CF/CM/CU48D	1.03	1.25	0.95
TPLC120C20MP13C	CF/CM30C	1.03	1.13	0.95
TPLC120C20MP13C	CF/CM36D	1.03	1.24	0.95
TPLC120C20MP13C	CF/CM42D	1.03	1.24	0.95
YP9C060B12MP13C	CF/CM/CU30B	1.02	1.06	0.94
YP9C060B12MP13C	CF/CM/CU36B	1.03	1.07	0.95
YP9C060B12MP13C	CF/CM/CU36C	1.03	1.07	0.95
YP9C060B12MP13C	CF/CM/CU42C	1.03	1.08	0.95
YP9C060B12MP13C	CF/CM/CU48C	1.03	1.08	0.95
YP9C060B12MP13C	CF/CM30C	1.02	1.05	0.94
YP9C060B12MP13C	CF42B	1.03	1.08	0.95
YP9C080B12MP12C	CF/CM/CU30B	1.03	1.06	0.95
YP9C080B12MP12C	CF/CM/CU36B	1.02	1.03	0.94
YP9C080B12MP12C	CF/CM/CU36C	1.02	1.02	0.94
YP9C080B12MP12C	CF/CM/CU42C	1.02	1.02	0.94
YP9C080B12MP12C	CF/CM/CU48C	1.03	1.02	0.95
YP9C080B12MP12C	CF/CM30C	1.03	1.06	0.95
YP9C080B12MP12C	CF42B	1.02	1.02	0.94
YP9C080B12MP13C	CF/CM/CU30B	1.03	1.06	0.95
YP9C080B12MP13C	CF/CM/CU36B	1.02	1.03	0.94
YP9C080B12MP13C	CF/CM/CU36C	1.02	1.02	0.94
YP9C080B12MP13C	CF/CM/CU42C	1.02	1.02	0.94
YP9C080B12MP13C	CF/CM/CU48C	1.03	1.02	0.95
YP9C080B12MP13C	CF/CM30C	1.03	1.06	0.95
YP9C080B12MP13C	CF42B	1.02	1.02	0.94
YP9C080C16MP13C	CF/CM/CU36C	1.03	1.12	0.95
YP9C080C16MP13C	CF/CM/CU42C	1.03	1.12	0.95
YP9C080C16MP13C	CF/CM/CU48C	1.03	1.13	0.95
YP9C080C16MP13C	CF/CM/CU48D	1.03	1.12	0.95
YP9C080C16MP13C	CF/CM30C	1.03	1.12	0.95
YP9C080C16MP13C	CF/CM36D	1.03	1.12	0.95
YP9C080C16MP13C	CF/CM42D	1.03	1.12	0.95
YP9C100C16MP12C	CF/CM/CU36C	1.03	1.09	0.95
YP9C100C16MP12C	CF/CM/CU42C	1.03	1.09	0.95
YP9C100C16MP12C	CF/CM/CU48C	1.03	1.10	0.95
YP9C100C16MP12C	CF/CM/CU48D	1.03	1.10	0.95
YP9C100C16MP12C	CF/CM30C	1.03	1.14	0.95
YP9C100C16MP12C	CF/CM36D	1.03	1.09	0.95
YP9C100C16MP12C	CF/CM42D	1.03	1.09	0.95
YP9C100C16MP13C	CF/CM/CU36C	1.03	1.09	0.95
YP9C100C16MP13C	CF/CM/CU42C	1.03	1.09	0.95
YP9C100C16MP13C	CF/CM/CU48C	1.03	1.10	0.95
YP9C100C16MP13C	CF/CM/CU48D	1.03	1.10	0.95
YP9C100C16MP13C	CF/CM30C	1.03	1.14	0.95
YP9C100C16MP13C	CF/CM36D	1.03	1.09	0.95
YP9C100C16MP13C	CF/CM42D	1.03	1.09	0.95
YP9C100C20MP12C	CF/CM/CU36C	1.03	1.20	0.95
YP9C100C20MP12C	CF/CM/CU42C	1.03	1.21	0.95
YP9C100C20MP12C	CF/CM/CU48C	1.03	1.20	0.95
YP9C100C20MP12C	CF/CM/CU48D	1.03	1.20	0.95
YP9C100C20MP12C	CF/CM30C	1.03	1.20	0.95

Furnaces	Coils	T.C.	S.C.	KW
YP9C100C20MP12C	CF/CM36D	1.03	1.20	0.95
YP9C100C20MP12C	CF/CM42D	1.03	1.21	0.95
YP9C100C20MP13C	CF/CM/CU36C	1.03	1.20	0.95
YP9C100C20MP13C	CF/CM/CU42C	1.03	1.21	0.95
YP9C100C20MP13C	CF/CM/CU48C	1.03	1.20	0.95
YP9C100C20MP13C	CF/CM/CU48D	1.03	1.20	0.95
YP9C100C20MP13C	CF/CM30C	1.03	1.20	0.95
YP9C100C20MP13C	CF/CM36D	1.03	1.20	0.95
YP9C100C20MP13C	CF/CM42D	1.03	1.21	0.95
YP9C120D20MP12C	CF/CM/CU48D	1.03	1.20	0.95
YP9C120D20MP12C	CF/CM36D	1.03	1.20	0.95
YP9C120D20MP12C	CF/CM42D	1.03	1.18	0.95
YP9C120D20MP13C	CF/CM/CU48D	1.03	1.20	0.95
YP9C120D20MP13C	CF/CM36D	1.03	1.20	0.95
YP9C120D20MP13C	CF/CM42D	1.03	1.18	0.95
YPLC060A12MP12C	CF/CM/CU30B	1.03	1.06	0.95
YPLC060A12MP12C	CF/CM/CU36B	1.02	1.03	0.94
YPLC060A12MP12C	CF42B	1.02	1.02	0.94
YPLC060A12MP13C	CF/CM/CU30B	1.03	1.06	0.95
YPLC060A12MP13C	CF/CM/CU36B	1.02	1.03	0.94
YPLC060A12MP13C	CF/CM36A	1.02	1.06	0.94
YPLC060A12MP13C	CF42B	1.02	1.02	0.94
YPLC080B12MP12C	CF/CM/CU30B	1.01	1.02	0.93
YPLC080B12MP12C	CF/CM/CU36B	1.02	1.04	0.94
YPLC080B12MP12C	CF/CM/CU36C	1.02	1.04	0.94
YPLC080B12MP12C	CF/CM/CU42C	1.03	1.03	0.95
YPLC080B12MP12C	CF/CM/CU48C	1.03	1.04	0.95
YPLC080B12MP12C	CF/CM30C	1.01	1.02	0.93
YPLC080B12MP12C	CF42B	1.03	1.03	0.95
YPLC080B12MP13C	CF/CM/CU30B	1.01	1.02	0.93
YPLC080B12MP13C	CF/CM/CU36B	1.02	1.04	0.94
YPLC080B12MP13C	CF/CM/CU36C	1.02	1.04	0.94
YPLC080B12MP13C	CF/CM/CU42C	1.03	1.03	0.95
YPLC080B12MP13C	CF/CM/CU48C	1.03	1.04	0.95
YPLC080B12MP13C	CF/CM30C	1.01	1.02	0.93
YPLC080B12MP13C	CF42B	1.03	1.03	0.95
YPLC080C16MP12C	CF/CM/CU36C	1.03	1.07	0.95
YPLC080C16MP12C	CF/CM/CU42C	1.03	1.12	0.95
YPLC080C16MP12C	CF/CM/CU48C	1.03	1.08	0.95
YPLC080C16MP12C	CF/CM/CU48D	1.03	1.09	0.95
YPLC080C16MP12C	CF/CM30C	1.03	1.06	0.95
YPLC080C16MP12C	CF/CM36D	1.03	1.07	0.95
YPLC080C16MP12C	CF/CM42D	1.03	1.12	0.95
YPLC080C16MP13C	CF/CM/CU36C	1.03	1.07	0.95
YPLC080C16MP13C	CF/CM/CU42C	1.03	1.12	0.95
YPLC080C16MP13C	CF/CM/CU48C	1.03	1.08	0.95
YPLC080C16MP13C	CF/CM/CU48D	1.03	1.09	0.95
YPLC080C16MP13C	CF/CM30C	1.03	1.06	0.95
YPLC080C16MP13C	CF/CM36D	1.03	1.07	0.95
YPLC080C16MP13C	CF/CM42D	1.03	1.12	0.95
YPLC100C16MP12C	CF/CM/CU36C	1.03	1.07	0.95
YPLC100C16MP12C	CF/CM/CU42C	1.03	1.12	0.95
YPLC100C16MP12C	CF/CM/CU48C	1.03	1.08	0.95
YPLC100C16MP12C	CF/CM/CU48D	1.03	1.09	0.95
YPLC100C16MP12C	CF/CM30C	1.03	1.06	0.95
YPLC100C16MP12C	CF/CM36D	1.03	1.07	0.95
YPLC100C16MP12C	CF/CM42D	1.03	1.07	0.95



Furnaces	Coils	T.C.	S.C.	KW
YPLC100C16MP12C	CF/CM42D	1.03	1.12	0.95
YPLC100C16MP13C	CF/CM/CU36C	1.03	1.07	0.95
YPLC100C16MP13C	CF/CM/CU42C	1.03	1.12	0.95
YPLC100C16MP13C	CF/CM/CU48C	1.03	1.08	0.95
YPLC100C16MP13C	CF/CM/CU48D	1.03	1.09	0.95
YPLC100C16MP13C	CF/CM30C	1.03	1.06	0.95
YPLC100C16MP13C	CF/CM36D	1.03	1.07	0.95
YPLC100C16MP13C	CF/CM42D	1.03	1.12	0.95
YPLC100C20MP12C	CF/CM/CU36C	1.03	1.23	0.95
YPLC100C20MP12C	CF/CM/CU42C	1.03	1.24	0.95
YPLC100C20MP12C	CF/CM/CU48C	1.03	1.25	0.95
YPLC100C20MP12C	CF/CM/CU48D	1.03	1.25	0.95
YPLC100C20MP12C	CF/CM30C	1.03	1.13	0.95
YPLC100C20MP12C	CF/CM36D	1.03	1.24	0.95
YPLC100C20MP12C	CF/CM42D	1.03	1.24	0.95
YPLC100C20MP13C	CF/CM/CU36C	1.03	1.23	0.95
YPLC100C20MP13C	CF/CM/CU42C	1.03	1.24	0.95
YPLC100C20MP13C	CF/CM/CU48C	1.03	1.25	0.95
YPLC100C20MP13C	CF/CM/CU48D	1.03	1.25	0.95

Furnaces	Coils	T.C.	S.C.	KW
YPLC100C20MP13C	CF/CM30C	1.03	1.13	0.95
YPLC100C20MP13C	CF/CM36D	1.03	1.24	0.95
YPLC100C20MP13C	CF/CM42D	1.03	1.24	0.95
YPLC120C20MP12C	CF/CM/CU36C	1.03	1.23	0.95
YPLC120C20MP12C	CF/CM/CU42C	1.03	1.24	0.95
YPLC120C20MP12C	CF/CM/CU48C	1.03	1.25	0.95
YPLC120C20MP12C	CF/CM/CU48D	1.03	1.25	0.95
YPLC120C20MP12C	CF/CM30C	1.03	1.13	0.95
YPLC120C20MP12C	CF/CM36D	1.03	1.24	0.95
YPLC120C20MP12C	CF/CM42D	1.03	1.24	0.95
YPLC120C20MP13C	CF/CM/CU36C	1.03	1.23	0.95
YPLC120C20MP13C	CF/CM/CU42C	1.03	1.24	0.95
YPLC120C20MP13C	CF/CM/CU48C	1.03	1.25	0.95
YPLC120C20MP13C	CF/CM/CU48D	1.03	1.25	0.95
YPLC120C20MP13C	CF/CM30C	1.03	1.13	0.95
YPLC120C20MP13C	CF/CM36D	1.03	1.24	0.95
YPLC120C20MP13C	CF/CM42D	1.03	1.24	0.95

## PERFORMANCE DATA - 3 TON - COPPER MATCHED SYSTEMS

COOLING PERFORMANCE DATA																
AIR CONDITIONER MODEL NO.		TCHD36S41S3														
INDOOR COIL MODEL NO.		FC/MC/PC43														
AIR TEMP. ENTERING OUTDOOR UNIT (°F)	ID CFM	1000					1200					1400				
	ID DB (°F)	80	80	75	80	80	80	80	75	80	80	80	80	75	80	80
	ID WB (°F)	57	62	62	67	72	57	62	62	67	72	57	62	62	67	72
65	T.C.	35.6	35.8	34.7	37.7	37.7	36.8	37.8	36.7	40.3	42.2	38.1	39.7	38.6	42.8	46.7
	S.C.	32.9	30.2	25.1	25.3	17.8	34.5	33.0	28.0	27.7	20.2	36.2	35.7	30.8	30.1	22.7
	KW	1.90	1.92	1.90	1.92	1.95	1.91	1.93	1.90	1.92	1.95	1.92	1.94	1.90	1.92	1.95
75	T.C.	34.2	34.3	32.7	35.3	35.7	35.4	36.3	34.6	38.1	40.3	36.7	38.3	36.5	40.9	44.9
	S.C.	31.5	29.2	24.2	24.1	17.1	33.2	32.0	27.0	26.7	19.6	34.9	34.7	29.8	29.3	22.1
	KW	2.31	2.29	2.30	2.25	2.25	2.29	2.28	2.28	2.25	2.25	2.27	2.27	2.25	2.24	2.25
85	T.C.	32.8	32.8	30.7	33.0	33.7	34.0	34.8	32.5	36.0	38.4	35.3	36.8	34.4	38.9	43.2
	S.C.	30.0	28.2	23.3	22.9	16.5	31.8	31.0	26.0	25.7	19.0	33.6	33.8	28.7	28.4	21.6
	KW	2.72	2.67	2.69	2.57	2.55	2.68	2.64	2.65	2.57	2.55	2.63	2.61	2.61	2.56	2.55
95	T.C.	31.4	31.3	28.7	30.6	31.6	32.7	33.3	30.5	33.8	36.5	33.9	35.3	32.2	37.0	41.4
	S.C.	28.6	27.2	22.4	21.8	15.9	30.4	30.0	25.0	24.7	18.4	32.2	32.8	27.6	27.6	21.0
	KW	3.13	3.04	3.09	2.89	2.85	3.06	2.99	3.03	2.89	2.84	2.99	2.94	2.96	2.88	2.84
105	T.C.	29.9	29.4	27.2	29.0	29.7	31.0	31.1	28.7	31.9	34.3	32.2	32.9	30.2	34.9	38.8
	S.C.	27.3	26.5	21.9	21.2	15.2	28.9	28.8	24.4	24.0	17.7	30.5	31.1	26.9	26.9	20.1
	KW	3.67	3.60	3.71	3.42	3.34	3.58	3.52	3.61	3.41	3.33	3.50	3.44	3.51	3.40	3.32
115	T.C.	28.4	27.6	25.6	27.3	27.8	29.4	29.0	26.9	30.1	32.1	30.5	30.5	28.3	32.9	36.3
	S.C.	25.9	25.9	21.4	20.6	14.6	27.4	27.7	23.8	23.4	16.9	28.9	29.5	26.2	26.1	19.2
	KW	4.20	4.13	4.32	3.94	3.81	4.09	4.03	4.18	3.91	3.79	3.99	3.93	4.05	3.89	3.78
125	T.C.	26.9	25.7	24.1	25.7	25.9	27.8	27.0	25.2	28.3	29.8	28.8	28.2	26.3	30.9	33.8
	S.C.	24.6	25.3	20.9	20.0	14.0	26.0	26.6	23.2	22.7	16.2	27.3	27.8	25.6	25.4	18.3
	KW	4.72	4.67	4.92	4.45	4.28	4.60	4.54	4.75	4.42	4.26	4.49	4.41	4.58	4.39	4.24

NOTE: ALL CAPACITIES INCLUDE INDOOR FAN HEAT. KW VALUES ARE FOR THE SYSTEM (OUTDOOR + INDOOR).

Green shaded cells are ACCA (TVA) conditions.

Blue shaded cells are AHRI conditions.

## Multipliers for determining the performance with other indoor sections.

NOTE: For dry bulb temperatures different than those listed (between 73-87 °F), sensible capacity increases by 1060 BTUH per 1000 CFM per degree above the listed temperature and decreases by 1060 BTUH per 1000 CFM per degree below the listed temperature.

Air Handlers	Coils	T.C.	S.C.	KW
-	FC/MC/PC37	1.00	1.00	1.00
-	FC/MC/PC43	1.00	1.00	1.00
-	FC/MC/PC48	1.02	1.02	0.99
-	HD48	1.01	1.01	1.00
AHE36C	-	1.02	1.03	0.93
AHE42D	-	1.04	1.04	0.91
AHR36B	-	1.00	1.00	1.02
AHR42C	-	1.02	1.04	1.00
AHV36C	-	1.02	1.04	0.99
AHV42D	-	1.04	1.04	0.95
AHV48D	-	1.02	1.02	0.95
MV12B	FC/MC43B	1.02	1.02	0.95
MV12D	FC/MC48D	1.02	1.02	0.92
MV16C	FC/MC43C	1.02	1.03	0.92
MV16C	FC/MC48C	1.04	1.04	0.92
MX12BN21	FC/MC35B	0.99	0.98	0.98
MX12BN21	FC/MC43B	1.00	0.99	0.95
MX12DN21	FC/MC48D	1.01	1.02	0.91
MX16CN21	FC/MC35C	0.99	1.00	0.99
MX16CN21	FC/MC43C	1.01	1.02	0.95
MX16CN21	FC/MC48C	1.02	1.04	0.95
MX20DN21	FC/MC48D	1.03	1.05	0.94

Furnaces	Coils	T.C.	S.C.	KW
T*(8,L)C*A12	FC/MC/PC32A	0.96	0.96	0.96
T*(8,L)C*A12	FC/MC/PC37A	0.98	0.93	0.95
T*(8,L)C*A12	HD36	0.98	0.94	0.98
T*(8,L)C*B12	FC/MC/PC35B	0.99	0.95	0.98
T*(8,L)C*B12	FC/MC/PC43B	1.01	1.02	0.99
T*(8,L)C*B12	HD36	0.98	0.94	0.96
T*(8,L)C*B12	HD48	1.02	1.02	0.96
T*(8,L)C*C16	FC/MC/PC35C	0.99	0.96	0.95
T*(8,L)C*C16	FC/MC/PC43C	1.02	1.03	0.95
T*(8,L)C*C16	FC/MC/PC48C	1.04	1.05	0.93
T*(8,L)C*C16	HD36	0.99	0.95	0.94
T*(8,L)C*C16	HD48	1.03	1.03	0.93
T*(8,L)C*C16	UC48C	0.99	1.00	0.93
T*(8,L)C*C20	FC/MC/PC35C	1.00	0.96	0.93
T*(8,L)C*C20	FC/MC/PC43C	1.02	1.03	0.96
T*(8,L)C*C20	FC/MC/PC48C	1.04	1.05	0.93
T*(8,L)C*C20	HD36	0.99	0.96	0.94
T*(8,L)C*C20	HD48	1.03	1.03	0.92
T*(8,L)C*C20	UC48C	0.99	1.00	0.92
T*(8,L)V*A12	FC/MC/PC37A	0.98	0.93	0.95
T*(8,L)V*B12	FC/MC/PC43B	1.01	1.02	0.99
T*(8,L)V*B12	HD48	1.02	1.02	0.96

Furnaces	Coils	T.C.	S.C.	KW
T*(8,L)V*C16	FC/MC/PC43C	1.02	1.03	0.95
T*(8,L)V*C16	FC/MC/PC48C	1.04	1.05	0.93
T*(8,L)V*C16	HD48	1.03	1.03	0.93
T*(8,L)V*C16	UC48C	0.99	1.00	0.93
T*(8,L)V*C20	FC/MC/PC43C	1.02	1.03	0.96
T*(8,L)V*C20	FC/MC/PC48C	1.04	1.05	0.93
T*(8,L)V*C20	HD48	1.03	1.03	0.92
T*(8,L)V*C20	UC48C	0.99	1.00	0.92
T*9(C,V)*B12	FC/MC/PC35B	0.99	1.00	0.98
T*9(C,V)*B12	FC/MC/PC43B	1.01	1.02	0.98
T*9(C,V)*B12	HD36	0.99	1.00	0.96
T*9(C,V)*B12	HD48	1.02	1.02	0.96
T*9(C,V)*C16	FC/MC/PC35C	0.99	1.00	0.96
T*9(C,V)*C16	FC/MC/PC43C	1.01	1.02	0.97
T*9(C,V)*C16	FC/MC/PC48C	1.04	1.04	0.95
T*9(C,V)*C16	HD36	0.99	1.00	0.94
T*9(C,V)*C16	HD48	1.02	1.02	0.94
T*9(C,V)*C16	UC48C	0.99	1.00	0.94
T*9(C,V)*C20	FC/MC/PC35C	1.01	1.04	0.99
T*9(C,V)*C20	FC/MC/PC43C	1.02	1.03	0.95
T*9(C,V)*C20	FC/MC/PC48C	1.04	1.09	0.97
T*9(C,V)*C20	HD36	1.00	1.01	0.97
T*9(C,V)*C20	HD48	1.03	1.06	0.97
T*9(C,V)*C20	UC48C	1.00	1.03	0.98
T*9(C,V)*D20	FC/MC/PC48D	1.04	1.06	0.94
T*9(C,V)*D20	HD48	1.03	1.04	0.94
T*9(C,V)*D20	UC48D	0.99	1.00	0.94
TM8X060A12MP11	FC/MC/PC37A	0.99	0.98	0.98
TM8X080B12MP11	FC/MC/PC35B	0.98	0.97	1.00
TM8X080B12MP11	FC/MC/PC43B	0.99	0.98	0.97
TM8X080C16MP11	FC/MC/PC35C	0.99	0.98	0.97
TM8X080C16MP11	FC/MC/PC43C	1.00	0.99	0.94
TM8X080C16MP11	FC/MC/PC48C	1.01	1.01	0.93
TM8X080C16MP11	FC/MC/PC48D	1.01	1.01	0.96
TM8X080C16MP11	UC48C	1.00	1.01	0.98
TM8X080C16MP11	UC48D	1.00	1.01	0.96
TM8X100C16MP11	FC/MC/PC35C	0.99	0.98	0.97
TM8X100C16MP11	FC/MC/PC43C	1.00	0.99	0.94
TM8X100C16MP11	FC/MC/PC48C	1.01	1.01	0.93
TM8X100C16MP11	FC/MC/PC48D	1.01	1.01	0.96
TM8X100C16MP11	UC48C	1.00	1.01	0.98
TM8X100C16MP11	UC48D	1.00	1.01	0.96
TM8X100C20MP11	FC/MC/PC35C	0.99	1.01	0.97
TM8X100C20MP11	FC/MC/PC43C	1.02	1.02	0.95
TM8X100C20MP11	FC/MC/PC48C	1.02	1.04	0.95
TM8X100C20MP11	FC/MC/PC48D	1.02	1.04	0.98
TM8X100C20MP11	UC48C	0.99	1.01	0.97
TM8X100C20MP11	UC48D	0.99	1.01	0.97
TM8X120C20MP11	FC/MC/PC35C	0.99	1.01	0.97
TM8X120C20MP11	FC/MC/PC43C	1.02	1.02	0.95
TM8X120C20MP11	FC/MC/PC48C	1.02	1.04	0.95
TM8X120C20MP11	FC/MC/PC48D	1.02	1.04	0.98
TM8X120C20MP11	UC48C	0.99	1.01	0.97
TM8X120C20MP11	UC48D	0.99	1.01	0.97
TM9E060B12MP11	FC/MC/PC35B	0.98	0.97	1.00
TM9E060B12MP11	FC/MC/PC43B	0.99	0.98	0.97

Furnaces	Coils	T.C.	S.C.	KW
TM9E080B12MP11	FC/MC/PC35B	0.98	0.97	1.00
TM9E080B12MP11	FC/MC/PC43B	0.99	0.98	0.97
TM9E080C16MP11	FC/MC/PC35C	0.99	0.98	0.98
TM9E080C16MP11	FC/MC/PC43C	1.00	0.99	0.96
TM9E080C16MP11	FC/MC/PC48C	1.01	1.00	0.95
TM9E080C16MP11	FC/MC/PC48D	1.01	1.00	0.98
TM9E080C16MP11	UC48C	0.99	1.01	0.97
TM9E080C16MP11	UC48D	0.99	1.01	0.97
TM9E100C16MP11	FC/MC/PC35C	0.99	0.98	0.98
TM9E100C16MP11	FC/MC/PC43C	1.00	0.99	0.96
TM9E100C16MP11	FC/MC/PC48C	1.01	1.00	0.95
TM9E100C16MP11	FC/MC/PC48D	1.01	1.00	0.98
TM9E100C16MP11	UC48C	0.99	1.01	0.97
TM9E100C16MP11	UC48D	0.99	1.01	0.97
TM9E100C20MP11	FC/MC/PC35C	0.99	0.98	0.96
TM9E100C20MP11	FC/MC/PC43C	1.00	0.99	0.96
TM9E100C20MP11	FC/MC/PC48C	1.01	1.00	0.95
TM9E100C20MP11	FC/MC/PC48D	1.01	1.01	0.96
TM9E100C20MP11	UC48C	0.99	1.01	0.97
TM9E100C20MP11	UC48D	0.99	1.01	0.97
TM9E120D20MP11	FC/MC/PC48D	1.01	1.01	0.94
TM9E120D20MP11	UC48D	1.00	1.01	0.98
TM9X060B12MP11	FC/MC/PC35B	0.98	0.97	1.00
TM9X060B12MP11	FC/MC/PC43B	0.99	0.98	0.97
TM9X080B12MP11	FC/MC/PC35B	0.98	0.97	1.00
TM9X080B12MP11	FC/MC/PC43B	0.99	0.98	0.97
TM9X080C16MP11	FC/MC/PC35C	0.99	0.98	0.98
TM9X080C16MP11	FC/MC/PC43C	1.00	0.99	0.96
TM9X080C16MP11	FC/MC/PC48C	1.01	1.00	0.95
TM9X080C16MP11	FC/MC/PC48D	1.01	1.00	0.98
TM9X080C16MP11	UC48C	0.99	1.01	0.97
TM9X080C16MP11	UC48D	0.99	1.01	0.97
TM9X100C16MP11	FC/MC/PC35C	0.99	0.98	0.98
TM9X100C16MP11	FC/MC/PC43C	1.00	0.99	0.96
TM9X100C16MP11	FC/MC/PC48C	1.01	1.00	0.95
TM9X100C16MP11	FC/MC/PC48D	1.01	1.00	0.98
TM9X100C16MP11	UC48C	0.99	1.01	0.97
TM9X100C16MP11	UC48D	0.99	1.01	0.97
TM9X100C20MP11	FC/MC/PC35C	0.99	0.98	0.96
TM9X100C20MP11	FC/MC/PC43C	1.00	0.99	0.96
TM9X100C20MP11	FC/MC/PC48C	1.01	1.00	0.95
TM9X100C20MP11	FC/MC/PC48D	1.01	1.01	0.96
TM9X100C20MP11	UC48C	0.99	1.01	0.97
TM9X100C20MP11	UC48D	0.99	1.01	0.97
TM9X120D20MP11	FC/MC/PC48D	1.01	1.01	0.94
TM9X120D20MP11	UC48D	1.00	1.01	0.98
TMLX060A12MP11	FC/MC/PC37A	0.99	0.98	0.98
TMLX080B12MP11	FC/MC/PC35B	0.98	0.97	1.00
TMLX080B12MP11	FC/MC/PC43B	0.99	0.98	0.97
TMLX080C16MP11	FC/MC/PC35C	0.99	0.98	0.97
TMLX080C16MP11	FC/MC/PC43C	1.00	0.99	0.94
TMLX080C16MP11	FC/MC/PC48C	1.01	1.01	0.93
TMLX080C16MP11	FC/MC/PC48D	1.01	1.01	0.96
TMLX080C16MP11	UC48C	1.00	1.01	0.98
TMLX080C16MP11	UC48D	1.00	1.01	0.96
TMLX100C16MP11	FC/MC/PC35C	0.99	0.98	0.97

Furnaces	Coils	T.C.	S.C.	KW
TMLX100C16MP11	FC/MC/PC43C	1.00	0.99	0.94
TMLX100C16MP11	FC/MC/PC48C	1.01	1.01	0.93
TMLX100C16MP11	FC/MC/PC48D	1.01	1.01	0.96
TMLX100C16MP11	UC48C	1.00	1.01	0.98
TMLX100C16MP11	UC48D	1.00	1.01	0.96
TMLX100C20MP11	FC/MC/PC35C	0.99	1.01	0.97
TMLX100C20MP11	FC/MC/PC43C	1.02	1.02	0.95
TMLX100C20MP11	FC/MC/PC48C	1.02	1.04	0.95
TMLX100C20MP11	FC/MC/PC48D	1.02	1.04	0.98
TMLX100C20MP11	UC48C	0.99	1.01	0.97
TMLX100C20MP11	UC48D	0.99	1.01	0.97
TMLX120C20MP11	FC/MC/PC35C	0.99	1.01	0.97
TMLX120C20MP11	FC/MC/PC43C	1.02	1.02	0.95
TMLX120C20MP11	FC/MC/PC48C	1.02	1.04	0.95
TMLX120C20MP11	FC/MC/PC48D	1.02	1.04	0.98
TMLX120C20MP11	UC48C	0.99	1.01	0.97
TMLX120C20MP11	UC48D	0.99	1.01	0.97
Y*(8,L)C*A12	FC/MC/PC37A	0.98	0.93	0.95
Y*(8,L)C*B12	FC/MC/PC43B	1.01	1.02	0.99
Y*(8,L)C*B12	HD48	1.02	1.02	0.96
Y*(8,L)C*C16	FC/MC/PC43C	1.02	1.03	0.95
Y*(8,L)C*C16	FC/MC/PC48C	1.04	1.05	0.93

Furnaces	Coils	T.C.	S.C.	KW
Y*(8,L)C*C16	HD48	1.03	1.03	0.93
Y*(8,L)C*C16	UC48C	0.99	1.00	0.93
Y*(8,L)C*C20	FC/MC/PC43C	1.02	1.03	0.96
Y*(8,L)C*C20	FC/MC/PC48C	1.04	1.05	0.93
Y*(8,L)C*C20	HD48	1.03	1.03	0.92
Y*(8,L)C*C20	UC48C	0.99	1.00	0.92
Y*9C*B12	FC/MC/PC43B	1.01	1.02	0.98
Y*9C*B12	HD48	1.02	1.02	0.96
Y*9C*C16	FC/MC/PC43C	1.01	1.02	0.97
Y*9C*C16	FC/MC/PC48C	1.04	1.04	0.95
Y*9C*C16	HD48	1.02	1.02	0.94
Y*9C*C16	UC48C	0.99	1.00	0.94
Y*9C*C20	FC/MC/PC43C	1.02	1.03	0.95
Y*9C*C20	FC/MC/PC48C	1.04	1.09	0.97
Y*9C*C20	HD48	1.03	1.06	0.97
Y*9C*C20	UC48C	1.00	1.03	0.98
Y*9C*D20	FC/MC/PC48D	1.04	1.06	0.94
Y*9C*D20	HD48	1.03	1.04	0.94
Y*9C*D20	UC48D	0.99	1.00	0.94

## PERFORMANCE DATA - 3 TON - ALUMINUM MATCHED SYSTEMS

COOLING PERFORMANCE DATA																	
AIR CONDITIONER MODEL NO.		TCHD36S41S3															
INDOOR COIL MODEL NO.		CF/CM42C															
AIR TEMP. ENTERING OUTDOOR UNIT (°F)	ID CFM	1000					1200					1400					
	ID DB (°F)	80	80	75	80	80	80	80	75	80	80	80	80	80	75	80	80
	ID WB (°F)	57	62	62	67	72	57	62	62	67	72	57	62	62	67	72	
65	T.C.	36.9	37.1	36.0	39.0	39.0	38.2	39.1	38.0	41.7	43.7	39.4	41.2	40.0	44.3	48.4	
	S.C.	34.6	31.8	26.5	26.7	18.8	36.4	34.7	29.5	29.2	21.3	38.2	37.6	32.5	31.7	23.9	
	KW	2.10	2.11	2.09	2.12	2.15	2.10	2.12	2.09	2.12	2.15	2.11	2.13	2.09	2.12	2.15	
75	T.C.	35.4	35.5	33.9	36.6	36.9	36.7	37.6	35.8	39.5	41.7	38.0	39.6	37.8	42.3	46.5	
	S.C.	33.1	30.8	25.5	25.4	18.1	35.0	33.7	28.4	28.1	20.7	36.8	36.6	31.4	30.8	23.3	
	KW	2.55	2.53	2.53	2.47	2.48	2.53	2.51	2.51	2.47	2.48	2.50	2.50	2.48	2.47	2.48	
85	T.C.	34.0	34.0	31.8	34.2	34.9	35.3	36.0	33.7	37.2	39.8	36.5	38.1	35.6	40.3	44.7	
	S.C.	31.7	29.7	24.6	24.2	17.4	33.5	32.6	27.4	27.1	20.1	35.4	35.6	30.2	30.0	22.7	
	KW	3.00	2.94	2.97	2.83	2.81	2.95	2.91	2.92	2.83	2.81	2.90	2.87	2.87	2.82	2.80	
95	T.C.	32.5	32.4	29	31.7	32.8	33.8	34.5	31.6	35.0	37.8	35.1	36.5	33.4	38.3	42.9	
	S.C.	30.2	28.6	23.6	22.9	16.7	32.1	31.6	26.4	26.0	19.4	34.0	34.5	29.1	29.1	22.2	
	KW	3.45	3.35	3.41	3.19	3.14	3.37	3.30	3.34	3.18	3.13	3.29	3.24	3.26	3.18	3.13	
105	T.C.	30.9	30.4	28.1	30.0	30.8	32.1	32.2	29.7	33.1	35.5	33.3	34.0	31.3	36.1	40.2	
	S.C.	28.7	28.0	23.1	22.3	16.1	30.5	30.4	25.7	25.3	18.6	32.2	32.8	28.4	28.3	21.2	
	KW	4.04	3.96	4.09	3.77	3.67	3.95	3.88	3.98	3.76	3.66	3.85	3.79	3.87	3.74	3.65	
115	T.C.	29.4	28.5	26.6	28.3	28.8	30.5	30.1	27.9	31.2	33.2	31.5	31.6	29.3	34.0	37.6	
	S.C.	27.3	27.3	22.6	21.7	15.4	28.9	29.2	25.1	24.6	17.8	30.5	31.0	27.7	27.5	20.3	
	KW	4.62	4.55	4.75	4.34	4.20	4.51	4.44	4.61	4.31	4.18	4.40	4.32	4.46	4.29	4.16	
125	T.C.	27.9	26.6	25.0	26.6	26.8	28.8	27.9	26.1	29.3	30.9	29.8	29.2	27.2	31.9	35.0	
	S.C.	25.9	26.6	22.0	21.1	14.8	27.3	27.9	24.5	23.9	17.1	28.7	29.2	26.9	26.8	19.3	
	KW	5.20	5.14	5.42	4.90	4.72	5.07	5.00	5.23	4.87	4.69	4.94	4.86	5.05	4.83	4.67	

NOTE: ALL CAPACITIES INCLUDE INDOOR FAN HEAT. KW VALUES ARE FOR THE SYSTEM (OUTDOOR + INDOOR).

Green shaded cells are ACCA (TVA) conditions.

Blue shaded cells are AHRI conditions.

## Multipliers for determining the performance with other indoor sections.

NOTE: For dry bulb temperatures different than those listed (between 73-87 °F), sensible capacity increases by 1060 BTUH per 1000 CFM per degree above the listed temperature and decreases by 1060 BTUH per 1000 CFM per degree below the listed temperature.

Air Handlers	Coils	T.C.	S.C.	KW	Air Handlers	Coils	T.C.	S.C.	KW
–	CF/CM/CU42C	1.00	1.00	1.00	ME12BN21	CF42B	1.01	1.02	1.01
AE36BX21	–	1.01	1.03	1.01	ME12CN21	CF/CM42C	1.02	1.09	1.02
AE36CX21	–	1.02	1.07	1.02	ME12CN21	CF/CM48C	1.02	1.09	1.02
AE42CX21	–	1.02	1.06	1.02	ME12CN21	CF/CM50C	1.00	1.08	1.00
AE43CX21	–	1.02	0.95	1.02	ME12CN21	CF/CM60C	1.02	1.08	1.02
AE48CX21	–	1.02	1.02	1.02	ME14DN21	CF/CM42D	1.02	1.08	1.02
AE48DX21	–	1.02	1.02	1.02	ME14DN21	CF/CM48D	1.02	1.08	1.02
AE60CX21	–	1.02	1.09	1.02	ME14DN21	CF/CM61D	1.00	1.07	1.00
AE60CX22	–	1.02	1.07	1.02	ME14DN21	CF/CM64D	1.02	1.08	1.02
AE60DX21	–	1.02	1.06	1.02	ME16CN21	CF/CM42C	1.02	1.05	1.02
AP36BX21	–	1.01	1.05	1.01	ME16CN21	CF/CM48C	1.02	1.05	1.02
AP36CX21	–	1.01	1.04	1.01	ME16CN21	CF/CM50C	0.99	1.02	0.99
AP37CX21	–	1.01	1.04	1.01	ME16CN21	CF/CM60C	1.02	1.02	1.02
AP48CX21	–	1.02	1.12	1.02	ME20DN21	CF/CM42D	1.02	1.12	1.02
AVC36BX21	–	1.01	1.03	1.01	ME20DN21	CF/CM48D	1.02	1.11	1.02
AVC36CX21	–	1.02	1.04	1.02	ME20DN21	CF/CM61D	1.01	1.11	1.01
AVC42CX21	–	1.02	1.02	1.02	ME20DN21	CF/CM64D	1.02	1.11	1.02
AVC48CX21	–	1.02	1.03	1.02	MVC12BN21	CF42B	1.02	1.05	1.02
AVC48DX21	–	1.02	1.06	1.02	MVC12CN21	CF/CM42C	1.02	1.03	1.02
AVC49CX21	–	1.01	1.02	1.01	MVC12CN21	CF/CM48C	1.02	1.05	1.02
AVC60CX22	–	1.01	1.02	1.01	MVC12CN21	CF/CM50C	1.00	1.06	1.00
AVC60DX21	–	1.02	1.08	1.02	MVC12CN21	CF/CM60C	1.01	1.00	1.01

Air Handlers	Coils	T.C.	S.C.	KW
MVC14DN21	CF/CM42D	1.02	1.11	1.02
MVC14DN21	CF/CM48D	1.02	1.08	1.02
MVC14DN21	CF/CM61D	1.01	1.09	1.01
MVC14DN21	CF/CM64D	1.02	1.05	1.02
MVC16CN21	CF/CM42C	1.02	1.06	1.02
MVC16CN21	CF/CM48C	1.02	1.05	1.02
MVC16CN21	CF/CM50C	1.00	1.05	1.00
MVC16CN21	CF/CM60C	1.01	1.03	1.01
MVC20DN21	CF/CM42D	1.02	1.07	1.02
MVC20DN21	CF/CM48D	1.02	1.11	1.02
MVC20DN21	CF/CM61D	1.01	1.08	1.01
MVC20DN21	CF/CM64D	1.02	1.08	1.02

Furnaces	Coils	T.C.	S.C.	KW
TM8E040A12MP11	CF42B	1.01	1.07	0.97
TM8E060A12MP11	CF42B	1.01	1.08	0.97
TM8E080B12MP11	CF/CM/CU42C	1.02	1.10	0.95
TM8E080B12MP11	CF/CM/CU48C	1.01	1.02	0.95
TM8E080B12MP11	CF/CM/CU60C	1.00	1.00	0.90
TM8E080B12MP11	CF/CM50C	0.99	1.09	0.93
TM8E080B12MP11	CF42B	1.01	1.08	0.97
TM8E080C16MP11	CF/CM/CU42C	1.02	1.05	0.99
TM8E080C16MP11	CF/CM/CU48C	1.02	1.04	0.95
TM8E080C16MP11	CF/CM/CU48D	1.02	1.04	0.97
TM8E080C16MP11	CF/CM/CU60C	1.01	1.02	0.93
TM8E080C16MP11	CF/CM/CU60D	1.02	1.07	0.94
TM8E080C16MP11	CF/CM42D	1.02	1.07	0.98
TM8E080C16MP11	CF/CM50C	0.99	1.02	0.93
TM8E080C16MP11	CF/CM61D	1.00	1.12	0.90
TM8E080C16MP11	CF/CM64D	1.02	1.07	0.90
TM8E080C20MP11	CF/CM/CU42C	1.02	1.12	1.00
TM8E080C20MP11	CF/CM/CU48C	1.02	1.12	0.96
TM8E080C20MP11	CF/CM/CU48D	1.02	1.14	0.98
TM8E080C20MP11	CF/CM/CU60C	1.02	1.10	0.94
TM8E080C20MP11	CF/CM/CU60D	1.02	1.15	0.94
TM8E080C20MP11	CF/CM42D	1.02	1.14	0.98
TM8E080C20MP11	CF/CM50C	1.00	1.10	0.92
TM8E080C20MP11	CF/CM61D	1.00	1.11	0.90
TM8E080C20MP11	CF/CM64D	1.02	1.14	0.90
TM8E100B12MP11	CF/CM/CU42C	1.01	1.05	0.99
TM8E100B12MP11	CF/CM/CU48C	1.02	1.05	0.97
TM8E100B12MP11	CF/CM/CU60C	1.01	1.02	0.90
TM8E100B12MP11	CF/CM50C	0.98	1.02	0.90
TM8E100B12MP11	CF42B	1.01	1.03	0.96
TM8E100C16MP11	CF/CM/CU42C	1.02	1.06	0.99
TM8E100C16MP11	CF/CM/CU48C	1.02	1.06	0.96
TM8E100C16MP11	CF/CM/CU48D	1.02	1.06	0.96
TM8E100C16MP11	CF/CM/CU60C	1.01	1.04	0.91
TM8E100C16MP11	CF/CM/CU60D	1.02	1.07	0.92
TM8E100C16MP11	CF/CM42D	1.02	1.06	0.99
TM8E100C16MP11	CF/CM50C	0.99	1.04	0.93
TM8E100C16MP11	CF/CM61D	0.99	1.04	0.89
TM8E100C16MP11	CF/CM64D	1.02	1.08	0.90
TM8E100C20MP11	CF/CM/CU42C	1.02	1.12	1.00
TM8E100C20MP11	CF/CM/CU48C	1.02	1.12	0.96
TM8E100C20MP11	CF/CM/CU48D	1.02	1.14	0.98

Furnaces	Coils	T.C.	S.C.	KW
TM8E100C20MP11	CF/CM/CU60C	1.02	1.10	0.94
TM8E100C20MP11	CF/CM/CU60D	1.02	1.15	0.94
TM8E100C20MP11	CF/CM42D	1.02	1.14	0.98
TM8E100C20MP11	CF/CM50C	1.00	1.10	0.92
TM8E100C20MP11	CF/CM61D	1.00	1.10	0.88
TM8E100C20MP11	CF/CM64D	1.02	1.14	0.90
TM8E120C16MP11	CF/CM/CU42C	1.02	1.06	0.99
TM8E120C16MP11	CF/CM/CU48C	1.02	1.06	0.96
TM8E120C16MP11	CF/CM/CU48D	1.02	1.06	0.96
TM8E120C16MP11	CF/CM/CU60C	1.01	1.04	0.93
TM8E120C16MP11	CF/CM/CU60D	1.02	1.07	0.92
TM8E120C16MP11	CF/CM42D	1.02	1.06	0.97
TM8E120C16MP11	CF/CM50C	0.99	1.04	0.93
TM8E120C16MP11	CF/CM61D	1.00	1.13	0.90
TM8E120C16MP11	CF/CM64D	1.02	1.08	0.90
TM8E120C20MP11	CF/CM/CU42C	1.02	1.14	0.98
TM8E120C20MP11	CF/CM/CU48C	1.02	1.15	0.98
TM8E120C20MP11	CF/CM/CU48D	1.02	1.15	0.96
TM8E120C20MP11	CF/CM/CU60C	1.02	1.11	0.92
TM8E120C20MP11	CF/CM/CU60D	1.02	1.13	0.94
TM8E120C20MP11	CF/CM42D	1.02	1.15	1.00
TM8E120C20MP11	CF/CM50C	1.00	1.11	0.94
TM8E120C20MP11	CF/CM61D	1.00	1.12	0.88
TM8E120C20MP11	CF/CM64D	1.02	1.17	0.90
TM8E130D20MP11	CF/CM/CU48D	1.02	1.15	0.96
TM8E130D20MP11	CF/CM/CU60D	1.02	1.17	0.94
TM8E130D20MP11	CF/CM42D	1.02	1.15	1.00
TM8E130D20MP11	CF/CM61D	1.01	1.13	0.89
TM8E130D20MP11	CF/CM64D	1.02	1.17	0.90
TM8V060A12MP12C	CF42B	1.00	1.02	0.96
TM8V080B12MP12C	CF/CM/CU42C	1.01	1.04	0.96
TM8V080B12MP12C	CF/CM/CU48C	1.01	1.03	0.92
TM8V080B12MP12C	CF/CM/CU60C	1.00	1.02	0.92
TM8V080B12MP12C	CF42B	1.00	1.04	0.96
TM8V080C16MP12C	CF/CM/CU42C	1.01	1.03	0.97
TM8V080C16MP12C	CF/CM/CU48C	1.02	1.02	0.95
TM8V080C16MP12C	CF/CM/CU48D	1.02	1.02	0.95
TM8V080C16MP12C	CF/CM/CU60C	1.01	1.00	0.90
TM8V080C16MP12C	CF/CM42D	1.01	1.03	0.99
TM8V080C16MP12C	CF/CM50C	0.99	1.06	0.91
TM8V080C16MP12C	CF/CM61D	0.99	1.08	0.89
TM8V080C16MP12C	CF/CM64D	1.02	1.09	0.88
TM8V100C16MP12C	CF/CM/CU42C	1.01	1.03	0.97
TM8V100C16MP12C	CF/CM/CU48C	1.02	1.02	0.95
TM8V100C16MP12C	CF/CM/CU48D	1.02	1.02	0.95
TM8V100C16MP12C	CF/CM/CU60C	1.01	1.00	0.90
TM8V100C16MP12C	CF/CM42D	1.01	1.03	0.99
TM8V100C16MP12C	CF/CM50C	0.99	1.06	0.91
TM8V100C16MP12C	CF/CM61D	0.99	1.08	0.89
TM8V100C16MP12C	CF/CM64D	1.02	1.09	0.88
TM8V100C20MP12C	CF/CM/CU42C	1.02	1.10	1.00
TM8V100C20MP12C	CF/CM/CU48C	1.02	1.11	0.96
TM8V100C20MP12C	CF/CM/CU48D	1.02	1.11	0.98
TM8V100C20MP12C	CF/CM/CU60C	1.02	1.13	0.92
TM8V100C20MP12C	CF/CM42D	1.02	1.10	0.98
TM8V100C20MP12C	CF/CM50C	1.00	1.10	0.94





Furnaces	Coils	T.C.	S.C.	KW
TM9E080C16MP11	CF/CM50C	0.99	1.10	0.91
TM9E080C16MP11	CF/CM61D	0.99	1.10	0.91
TM9E080C16MP11	CF/CM64D	1.02	1.14	0.88
TM9E080C16MP12	CF/CM/CU42C	1.02	1.12	0.98
TM9E080C16MP12	CF/CM/CU48C	1.02	1.05	0.97
TM9E080C16MP12	CF/CM/CU48D	1.02	1.05	0.97
TM9E080C16MP12	CF/CM/CU60C	1.02	1.10	0.92
TM9E080C16MP12	CF/CM42D	1.02	1.13	0.98
TM9E080C16MP12	CF/CM50C	0.99	1.10	0.91
TM9E080C16MP12	CF/CM61D	0.99	1.10	0.91
TM9E080C16MP12	CF/CM64D	1.02	1.15	0.88
TM9E080C20MP12	CF/CM/CU42C	1.02	1.10	1.00
TM9E080C20MP12	CF/CM/CU48C	1.02	1.11	0.96
TM9E080C20MP12	CF/CM/CU48D	1.02	1.12	0.98
TM9E080C20MP12	CF/CM/CU60C	1.02	1.08	0.94
TM9E080C20MP12	CF/CM42D	1.02	1.13	0.98
TM9E080C20MP12	CF/CM50C	1.00	1.09	0.92
TM9E080C20MP12	CF/CM61D	1.00	1.10	0.88
TM9E080C20MP12	CF/CM64D	1.02	1.14	0.88
TM9E100C16MP11	CF/CM/CU42C	1.02	1.13	0.98
TM9E100C16MP11	CF/CM/CU48C	1.02	1.12	0.96
TM9E100C16MP11	CF/CM/CU48D	1.02	1.14	0.98
TM9E100C16MP11	CF/CM/CU60C	1.02	1.10	0.92
TM9E100C16MP11	CF/CM42D	1.02	1.08	0.98
TM9E100C16MP11	CF/CM50C	0.99	1.10	0.91
TM9E100C16MP11	CF/CM61D	0.99	1.10	0.91
TM9E100C16MP11	CF/CM64D	1.02	1.15	0.88
TM9E100C16MP12	CF/CM/CU42C	1.01	1.04	0.97
TM9E100C16MP12	CF/CM/CU48C	1.02	1.12	0.96
TM9E100C16MP12	CF/CM/CU48D	1.02	1.14	0.98
TM9E100C16MP12	CF/CM/CU60C	1.02	1.10	0.92
TM9E100C16MP12	CF/CM42D	1.01	1.04	0.99
TM9E100C16MP12	CF/CM50C	0.99	1.10	0.91
TM9E100C16MP12	CF/CM61D	1.00	1.12	0.92
TM9E100C16MP12	CF/CM64D	1.02	1.15	0.88
TM9E100C20MP11	CF/CM/CU42C	1.02	1.08	0.98
TM9E100C20MP11	CF/CM/CU48C	1.02	1.08	0.96
TM9E100C20MP11	CF/CM/CU48D	1.02	1.09	0.98
TM9E100C20MP11	CF/CM/CU60C	1.02	1.14	0.92
TM9E100C20MP11	CF/CM42D	1.02	1.09	0.98
TM9E100C20MP11	CF/CM50C	0.99	1.06	0.91
TM9E100C20MP11	CF/CM61D	0.99	1.07	0.89
TM9E100C20MP11	CF/CM64D	1.02	1.20	0.88
TM9E100C20MP12	CF/CM/CU42C	1.02	1.10	0.98
TM9E100C20MP12	CF/CM/CU48C	1.02	1.11	0.98
TM9E100C20MP12	CF/CM/CU48D	1.02	1.11	0.98
TM9E100C20MP12	CF/CM/CU60C	1.02	1.08	0.94
TM9E100C20MP12	CF/CM42D	1.02	1.10	0.98
TM9E100C20MP12	CF/CM50C	0.99	1.07	0.91
TM9E100C20MP12	CF/CM61D	1.00	1.09	0.90
TM9E100C20MP12	CF/CM64D	1.02	1.13	0.90
TM9E120D20MP11	CF/CM/CU48D	1.02	1.12	0.96
TM9E120D20MP11	CF/CM42D	1.02	1.12	1.00
TM9E120D20MP11	CF/CM61D	1.00	1.10	0.88
TM9E120D20MP11	CF/CM64D	1.02	1.22	0.88
TM9E120D20MP12	CF/CM/CU48D	1.02	1.12	0.98

Furnaces	Coils	T.C.	S.C.	KW
TM9E120D20MP12	CF/CM42D	1.02	1.12	1.00
TM9E120D20MP12	CF/CM61D	1.00	1.10	0.88
TM9E120D20MP12	CF/CM64D	1.02	1.14	0.90
TM9V060B12MP12C	CF/CM/CU42C	1.01	1.04	0.96
TM9V060B12MP12C	CF/CM/CU48C	1.01	1.03	0.94
TM9V060B12MP12C	CF/CM/CU60C	1.00	1.01	0.92
TM9V060B12MP12C	CF/CM50C	0.98	1.02	0.91
TM9V060B12MP12C	CF42B	1.00	1.03	0.94
TM9V080B12MP12C	CF/CM/CU42C	1.01	1.07	0.97
TM9V080B12MP12C	CF/CM/CU48C	1.02	1.11	0.96
TM9V080B12MP12C	CF/CM/CU60C	1.01	1.08	0.93
TM9V080B12MP12C	CF/CM50C	0.99	1.07	0.93
TM9V080B12MP12C	CF42B	1.01	1.07	0.97
TM9V080C16MP12C	CF/CM/CU42C	1.02	1.06	0.97
TM9V080C16MP12C	CF/CM/CU48C	1.02	1.13	0.96
TM9V080C16MP12C	CF/CM/CU48D	1.02	1.13	0.96
TM9V080C16MP12C	CF/CM/CU60C	1.02	1.10	0.92
TM9V080C16MP12C	CF/CM42D	1.02	1.10	0.98
TM9V080C16MP12C	CF/CM50C	0.99	1.09	0.91
TM9V080C16MP12C	CF/CM61D	0.99	1.13	0.93
TM9V080C16MP12C	CF/CM64D	1.02	1.19	0.92
TM9V100C16MP12C	CF/CM/CU42C	1.02	1.10	0.98
TM9V100C16MP12C	CF/CM/CU48C	1.02	1.13	0.96
TM9V100C16MP12C	CF/CM/CU48D	1.02	1.14	0.96
TM9V100C16MP12C	CF/CM/CU60C	1.02	1.13	0.92
TM9V100C16MP12C	CF/CM42D	1.02	1.12	0.98
TM9V100C16MP12C	CF/CM50C	1.00	1.12	0.92
TM9V100C16MP12C	CF/CM61D	1.00	1.12	0.90
TM9V100C16MP12C	CF/CM64D	1.02	1.17	0.90
TM9V100C20MP12C	CF/CM/CU42C	1.02	1.10	0.98
TM9V100C20MP12C	CF/CM/CU48C	1.02	1.13	0.98
TM9V100C20MP12C	CF/CM/CU48D	1.02	1.13	0.96
TM9V100C20MP12C	CF/CM/CU60C	1.02	1.14	0.92
TM9V100C20MP12C	CF/CM42D	1.02	1.10	0.98
TM9V100C20MP12C	CF/CM50C	0.99	1.12	0.91
TM9V100C20MP12C	CF/CM61D	1.00	1.12	0.92
TM9V100C20MP12C	CF/CM64D	1.02	1.18	0.88
TM9V120D20MP12C	CF/CM/CU48D	1.02	1.15	0.96
TM9V120D20MP12C	CF/CM42D	1.02	1.13	0.98
TM9V120D20MP12C	CF/CM61D	1.00	1.13	0.90
TM9V120D20MP12C	CF/CM64D	1.02	1.22	0.88
TM9V060B12MP11	CF/CM/CU42C	1.01	1.05	0.96
TM9V060B12MP11	CF/CM/CU48C	1.01	1.06	0.93
TM9V060B12MP11	CF/CM/CU60C	0.99	1.02	0.91
TM9V060B12MP11	CF/CM50C	0.98	1.04	0.92
TM9V060B12MP11	CF42B	1.00	1.03	0.96
TM9V080B12MP11	CF/CM/CU42C	1.01	1.07	0.97
TM9V080B12MP11	CF/CM/CU48C	1.02	1.09	0.98
TM9V080B12MP11	CF/CM/CU60C	1.01	1.05	0.90
TM9V080B12MP11	CF/CM50C	0.99	1.07	0.91
TM9V080B12MP11	CF42B	1.01	1.06	0.94
TM9V080C16MP11	CF/CM/CU42C	1.02	1.11	0.98
TM9V080C16MP11	CF/CM/CU48C	1.02	1.07	0.96
TM9V080C16MP11	CF/CM/CU48D	1.02	1.07	0.96
TM9V080C16MP11	CF/CM/CU60C	1.02	1.09	0.91
TM9V080C16MP11	CF/CM42D	1.02	1.07	0.99

Furnaces	Coils	T.C.	S.C.	KW
TM9Y080C16MP11	CF/CM50C	0.99	1.10	0.91
TM9Y080C16MP11	CF/CM61D	0.99	1.10	0.91
TM9Y080C16MP11	CF/CM64D	1.02	1.14	0.88
TM9Y100C16MP11	CF/CM/CU42C	1.02	1.13	0.98
TM9Y100C16MP11	CF/CM/CU48C	1.02	1.12	0.96
TM9Y100C16MP11	CF/CM/CU48D	1.02	1.14	0.98
TM9Y100C16MP11	CF/CM/CU60C	1.02	1.10	0.92
TM9Y100C16MP11	CF/CM42D	1.02	1.08	0.98
TM9Y100C16MP11	CF/CM50C	0.99	1.10	0.91
TM9Y100C16MP11	CF/CM61D	0.99	1.10	0.91
TM9Y100C16MP11	CF/CM64D	1.02	1.15	0.88
TM9Y100C20MP11	CF/CM/CU42C	1.02	1.08	0.98
TM9Y100C20MP11	CF/CM/CU48C	1.02	1.08	0.96
TM9Y100C20MP11	CF/CM/CU48D	1.02	1.09	0.98
TM9Y100C20MP11	CF/CM/CU60C	1.02	1.14	0.92
TM9Y100C20MP11	CF/CM42D	1.02	1.09	0.98
TM9Y100C20MP11	CF/CM50C	0.99	1.06	0.91
TM9Y100C20MP11	CF/CM61D	0.99	1.07	0.89
TM9Y100C20MP11	CF/CM64D	1.02	1.20	0.88
TM9Y120D20MP11	CF/CM/CU48D	1.02	1.12	0.96
TM9Y120D20MP11	CF/CM42D	1.02	1.12	1.00
TM9Y120D20MP11	CF/CM61D	1.00	1.10	0.88
TM9Y120D20MP11	CF/CM64D	1.02	1.22	0.88
TMLE040A12MP11	CF42B	1.01	1.07	0.97
TMLE060A12MP11	CF42B	1.01	1.08	0.97
TMLE080B12MP11	CF/CM/CU42C	1.02	1.10	0.95
TMLE080B12MP11	CF/CM/CU48C	1.01	1.02	0.95
TMLE080B12MP11	CF/CM/CU60C	1.00	1.00	0.90
TMLE080B12MP11	CF/CM50C	0.99	1.09	0.93
TMLE080B12MP11	CF42B	1.01	1.08	0.97
TMLE080C16MP11	CF/CM/CU42C	1.02	1.05	0.99
TMLE080C16MP11	CF/CM/CU48C	1.02	1.04	0.95
TMLE080C16MP11	CF/CM/CU48D	1.02	1.04	0.97
TMLE080C16MP11	CF/CM/CU60C	1.01	1.02	0.93
TMLE080C16MP11	CF/CM/CU60D	1.02	1.07	0.94
TMLE080C16MP11	CF/CM42D	1.02	1.07	0.98
TMLE080C16MP11	CF/CM50C	0.99	1.02	0.93
TMLE080C16MP11	CF/CM61D	1.00	1.12	0.90
TMLE080C16MP11	CF/CM64D	1.02	1.07	0.90
TMLE080C20MP11	CF/CM/CU42C	1.02	1.12	1.00
TMLE080C20MP11	CF/CM/CU48C	1.02	1.12	0.96
TMLE080C20MP11	CF/CM/CU48D	1.02	1.14	0.98
TMLE080C20MP11	CF/CM/CU60C	1.02	1.10	0.94
TMLE080C20MP11	CF/CM/CU60D	1.02	1.15	0.94
TMLE080C20MP11	CF/CM42D	1.02	1.14	0.98
TMLE080C20MP11	CF/CM50C	1.00	1.10	0.92
TMLE080C20MP11	CF/CM61D	1.00	1.11	0.90
TMLE080C20MP11	CF/CM64D	1.02	1.14	0.90
TMLE100B12MP11	CF/CM/CU42C	1.01	1.05	0.99
TMLE100B12MP11	CF/CM/CU48C	1.02	1.05	0.97
TMLE100B12MP11	CF/CM/CU60C	1.01	1.02	0.90
TMLE100B12MP11	CF/CM50C	0.98	1.02	0.90
TMLE100B12MP11	CF42B	1.01	1.03	0.96
TMLE100C16MP11	CF/CM/CU42C	1.02	1.06	0.99
TMLE100C16MP11	CF/CM/CU48C	1.02	1.06	0.96
TMLE100C16MP11	CF/CM/CU48D	1.02	1.06	0.96

Furnaces	Coils	T.C.	S.C.	KW
TMLE100C16MP11	CF/CM/CU60C	1.01	1.04	0.91
TMLE100C16MP11	CF/CM/CU60D	1.02	1.07	0.92
TMLE100C16MP11	CF/CM42D	1.02	1.06	0.99
TMLE100C16MP11	CF/CM50C	0.99	1.04	0.93
TMLE100C16MP11	CF/CM61D	0.99	1.04	0.89
TMLE100C16MP11	CF/CM64D	1.02	1.08	0.90
TMLE100C20MP11	CF/CM/CU42C	1.02	1.12	1.00
TMLE100C20MP11	CF/CM/CU48C	1.02	1.12	0.96
TMLE100C20MP11	CF/CM/CU48D	1.02	1.14	0.98
TMLE100C20MP11	CF/CM/CU60C	1.02	1.10	0.94
TMLE100C20MP11	CF/CM/CU60D	1.02	1.15	0.94
TMLE100C20MP11	CF/CM42D	1.02	1.14	0.98
TMLE100C20MP11	CF/CM50C	1.00	1.10	0.92
TMLE100C20MP11	CF/CM61D	1.00	1.10	0.88
TMLE100C20MP11	CF/CM64D	1.02	1.14	0.90
TMLE120C16MP11	CF/CM/CU42C	1.02	1.06	0.99
TMLE120C16MP11	CF/CM/CU48C	1.02	1.06	0.96
TMLE120C16MP11	CF/CM/CU48D	1.02	1.06	0.96
TMLE120C16MP11	CF/CM/CU60C	1.01	1.04	0.93
TMLE120C16MP11	CF/CM/CU60D	1.02	1.07	0.92
TMLE120C16MP11	CF/CM42D	1.02	1.06	0.97
TMLE120C16MP11	CF/CM50C	0.99	1.04	0.93
TMLE120C16MP11	CF/CM61D	1.00	1.13	0.90
TMLE120C16MP11	CF/CM64D	1.02	1.08	0.90
TMLE120C20MP11	CF/CM/CU42C	1.02	1.14	0.98
TMLE120C20MP11	CF/CM/CU48C	1.02	1.15	0.98
TMLE120C20MP11	CF/CM/CU48D	1.02	1.15	0.96
TMLE120C20MP11	CF/CM/CU60C	1.02	1.11	0.92
TMLE120C20MP11	CF/CM/CU60D	1.02	1.13	0.94
TMLE120C20MP11	CF/CM42D	1.02	1.15	1.00
TMLE120C20MP11	CF/CM50C	1.00	1.11	0.94
TMLE120C20MP11	CF/CM61D	1.00	1.12	0.88
TMLE120C20MP11	CF/CM64D	1.02	1.17	0.90
TMLE130D20MP11	CF/CM/CU48D	1.02	1.15	0.96
TMLE130D20MP11	CF/CM/CU60D	1.02	1.17	0.94
TMLE130D20MP11	CF/CM42D	1.02	1.15	1.00
TMLE130D20MP11	CF/CM61D	1.01	1.13	0.89
TMLE130D20MP11	CF/CM64D	1.02	1.17	0.90
TMLV060A12MP12C	CF42B	1.00	1.02	0.96
TMLV080B12MP12C	CF/CM/CU42C	1.01	1.04	0.96
TMLV080B12MP12C	CF/CM/CU48C	1.01	1.03	0.92
TMLV080B12MP12C	CF/CM/CU60C	1.00	1.02	0.92
TMLV080B12MP12C	CF42B	1.00	1.04	0.96
TMLV080C16MP12C	CF/CM/CU42C	1.01	1.03	0.97
TMLV080C16MP12C	CF/CM/CU48C	1.02	1.02	0.95
TMLV080C16MP12C	CF/CM/CU48D	1.02	1.02	0.95
TMLV080C16MP12C	CF/CM/CU60C	1.01	1.00	0.90
TMLV080C16MP12C	CF/CM42D	1.01	1.03	0.99
TMLV080C16MP12C	CF/CM50C	0.99	1.06	0.91
TMLV080C16MP12C	CF/CM61D	0.99	1.08	0.89
TMLV080C16MP12C	CF/CM64D	1.02	1.09	0.88
TMLV100C16MP12C	CF/CM/CU42C	1.01	1.03	0.97
TMLV100C16MP12C	CF/CM/CU48C	1.02	1.02	0.95
TMLV100C16MP12C	CF/CM/CU48D	1.02	1.02	0.95
TMLV100C16MP12C	CF/CM/CU60C	1.01	1.00	0.90
TMLV100C16MP12C	CF/CM42D	1.01	1.03	0.99

Furnaces	Coils	T.C.	S.C.	KW
TMLV100C16MP12C	CF/CM50C	0.99	1.06	0.91
TMLV100C16MP12C	CF/CM61D	0.99	1.08	0.89
TMLV100C16MP12C	CF/CM64D	1.02	1.09	0.88
TMLV100C20MP12C	CF/CM/CU42C	1.02	1.10	1.00
TMLV100C20MP12C	CF/CM/CU48C	1.02	1.11	0.96
TMLV100C20MP12C	CF/CM/CU48D	1.02	1.11	0.98
TMLV100C20MP12C	CF/CM/CU60C	1.02	1.13	0.92
TMLV100C20MP12C	CF/CM42D	1.02	1.10	0.98
TMLV100C20MP12C	CF/CM50C	1.00	1.10	0.94
TMLV100C20MP12C	CF/CM61D	1.00	1.10	0.88
TMLV100C20MP12C	CF/CM64D	1.02	1.20	0.88
TMLV120C20MP12C	CF/CM/CU42C	1.02	1.10	1.00
TMLV120C20MP12C	CF/CM/CU48C	1.02	1.11	0.96
TMLV120C20MP12C	CF/CM/CU48D	1.02	1.11	0.98
TMLV120C20MP12C	CF/CM/CU60C	1.02	1.13	0.92
TMLV120C20MP12C	CF/CM42D	1.02	1.10	0.98
TMLV120C20MP12C	CF/CM50C	1.00	1.10	0.94
TMLV120C20MP12C	CF/CM61D	1.00	1.10	0.88
TMLV120C20MP12C	CF/CM64D	1.02	1.20	0.88
TMLX060A12MP11	CF42B	1.01	1.05	0.94
TMLX080B12MP11	CF/CM/CU42C	1.02	1.08	0.97
TMLX080B12MP11	CF/CM/CU48C	1.02	1.09	0.98
TMLX080B12MP11	CF/CM/CU60C	1.01	1.07	0.91
TMLX080B12MP11	CF/CM50C	0.99	1.07	0.91
TMLX080B12MP11	CF42B	1.01	1.07	0.95
TMLX080C16MP11	CF/CM/CU42C	1.02	1.07	0.97
TMLX080C16MP11	CF/CM/CU48C	1.02	1.07	0.98
TMLX080C16MP11	CF/CM/CU48D	1.02	1.07	0.98
TMLX080C16MP11	CF/CM/CU60C	1.01	1.05	0.91
TMLX080C16MP11	CF/CM42D	1.02	1.08	1.00
TMLX080C16MP11	CF/CM50C	0.99	1.05	0.91
TMLX080C16MP11	CF/CM61D	0.99	1.05	0.87
TMLX080C16MP11	CF/CM64D	1.02	1.20	0.90
TMLX100C16MP11	CF/CM/CU42C	1.02	1.07	0.97
TMLX100C16MP11	CF/CM/CU48C	1.02	1.07	0.98
TMLX100C16MP11	CF/CM/CU48D	1.02	1.07	0.98
TMLX100C16MP11	CF/CM/CU60C	1.01	1.05	0.91
TMLX100C16MP11	CF/CM42D	1.02	1.08	1.00
TMLX100C16MP11	CF/CM50C	0.99	1.05	0.91
TMLX100C16MP11	CF/CM61D	0.99	1.05	0.87
TMLX100C16MP11	CF/CM64D	1.02	1.20	0.90
TMLX100C20MP11	CF/CM/CU42C	1.02	1.10	0.98
TMLX100C20MP11	CF/CM/CU48C	1.02	1.11	0.98
TMLX100C20MP11	CF/CM/CU48D	1.02	1.12	0.98
TMLX100C20MP11	CF/CM/CU60C	1.02	1.08	0.94
TMLX100C20MP11	CF/CM42D	1.02	1.13	1.00
TMLX100C20MP11	CF/CM50C	1.00	1.09	0.94
TMLX100C20MP11	CF/CM61D	1.00	1.09	0.90
TMLX100C20MP11	CF/CM64D	1.02	1.22	0.88
TMLX120C20MP11	CF/CM/CU42C	1.02	1.10	0.98
TMLX120C20MP11	CF/CM/CU48C	1.02	1.11	0.98
TMLX120C20MP11	CF/CM/CU48D	1.02	1.12	0.98
TMLX120C20MP11	CF/CM/CU60C	1.02	1.08	0.94
TMLX120C20MP11	CF/CM42D	1.02	1.13	1.00
TMLX120C20MP11	CF/CM50C	1.00	1.09	0.94
TMLX120C20MP11	CF/CM61D	1.00	1.09	0.90

Furnaces	Coils	T.C.	S.C.	KW
TMLX120C20MP11	CF/CM64D	1.02	1.22	0.88
TP9C060B12MP13C	CF/CM/CU42C	1.01	1.04	0.96
TP9C060B12MP13C	CF/CM/CU48C	1.01	1.03	0.94
TP9C060B12MP13C	CF/CM/CU60C	1.00	1.01	0.92
TP9C060B12MP13C	CF/CM50C	0.98	1.02	0.91
TP9C060B12MP13C	CF42B	1.00	1.03	0.94
TP9C080B12MP13C	CF/CM/CU42C	1.01	1.07	0.97
TP9C080B12MP13C	CF/CM/CU48C	1.02	1.11	0.96
TP9C080B12MP13C	CF/CM/CU60C	1.01	1.08	0.93
TP9C080B12MP13C	CF/CM50C	0.99	1.07	0.93
TP9C080B12MP13C	CF42B	1.01	1.07	0.97
TP9C080C16MP13C	CF/CM/CU42C	1.02	1.06	0.97
TP9C080C16MP13C	CF/CM/CU48C	1.02	1.13	0.96
TP9C080C16MP13C	CF/CM/CU48D	1.02	1.13	0.96
TP9C080C16MP13C	CF/CM/CU60C	1.02	1.10	0.92
TP9C080C16MP13C	CF/CM42D	1.02	1.10	0.98
TP9C080C16MP13C	CF/CM50C	0.99	1.09	0.91
TP9C080C16MP13C	CF/CM61D	0.99	1.13	0.93
TP9C080C16MP13C	CF/CM64D	1.02	1.19	0.92
TP9C100C16MP13C	CF/CM/CU42C	1.02	1.10	0.98
TP9C100C16MP13C	CF/CM/CU48C	1.02	1.13	0.96
TP9C100C16MP13C	CF/CM/CU48D	1.02	1.14	0.96
TP9C100C16MP13C	CF/CM/CU60C	1.02	1.13	0.92
TP9C100C16MP13C	CF/CM42D	1.02	1.12	0.98
TP9C100C16MP13C	CF/CM50C	1.00	1.12	0.92
TP9C100C16MP13C	CF/CM61D	1.00	1.12	0.90
TP9C100C16MP13C	CF/CM64D	1.02	1.17	0.90
TP9C100C20MP13C	CF/CM/CU42C	1.02	1.10	0.98
TP9C100C20MP13C	CF/CM/CU48C	1.02	1.13	0.98
TP9C100C20MP13C	CF/CM/CU48D	1.02	1.13	0.96
TP9C100C20MP13C	CF/CM/CU60C	1.02	1.14	0.92
TP9C100C20MP13C	CF/CM42D	1.02	1.10	0.98
TP9C100C20MP13C	CF/CM50C	0.99	1.12	0.91
TP9C100C20MP13C	CF/CM61D	1.00	1.12	0.92
TP9C100C20MP13C	CF/CM64D	1.02	1.18	0.88
TP9C120D20MP13C	CF/CM/CU48D	1.02	1.15	0.96
TP9C120D20MP13C	CF/CM42D	1.02	1.13	0.98
TP9C120D20MP13C	CF/CM61D	1.00	1.13	0.90
TP9C120D20MP13C	CF/CM64D	1.02	1.22	0.88
TPLC060A12MP13C	CF42B	1.00	1.02	0.96
TPLC080B12MP13C	CF/CM/CU42C	1.01	1.04	0.96
TPLC080B12MP13C	CF/CM/CU48C	1.01	1.03	0.92
TPLC080B12MP13C	CF/CM/CU60C	1.00	1.02	0.92
TPLC080B12MP13C	CF42B	1.00	1.04	0.96
TPLC080C16MP13C	CF/CM/CU42C	1.01	1.03	0.97
TPLC080C16MP13C	CF/CM/CU48C	1.02	1.02	0.95
TPLC080C16MP13C	CF/CM/CU48D	1.02	1.02	0.95
TPLC080C16MP13C	CF/CM/CU60C	1.01	1.00	0.90
TPLC080C16MP13C	CF/CM42D	1.01	1.03	0.99
TPLC080C16MP13C	CF/CM50C	0.99	1.06	0.91
TPLC080C16MP13C	CF/CM61D	0.99	1.08	0.89
TPLC080C16MP13C	CF/CM64D	1.02	1.09	0.88
TPLC100C16MP13C	CF/CM/CU42C	1.01	1.03	0.97
TPLC100C16MP13C	CF/CM/CU48C	1.02	1.02	0.95
TPLC100C16MP13C	CF/CM/CU48D	1.02	1.02	0.95
TPLC100C16MP13C	CF/CM/CU60C	1.01	1.00	0.90

Furnaces	Coils	T.C.	S.C.	KW
TPLC100C16MP13C	CF/CM42D	1.01	1.03	0.99
TPLC100C16MP13C	CF/CM50C	0.99	1.06	0.91
TPLC100C16MP13C	CF/CM61D	0.99	1.08	0.89
TPLC100C16MP13C	CF/CM64D	1.02	1.09	0.88
TPLC100C20MP13C	CF/CM/CU42C	1.02	1.10	1.00
TPLC100C20MP13C	CF/CM/CU48C	1.02	1.11	0.96
TPLC100C20MP13C	CF/CM/CU48D	1.02	1.11	0.98
TPLC100C20MP13C	CF/CM/CU60C	1.02	1.13	0.92
TPLC100C20MP13C	CF/CM42D	1.02	1.10	0.98
TPLC100C20MP13C	CF/CM50C	1.00	1.10	0.94
TPLC100C20MP13C	CF/CM61D	1.00	1.10	0.88
TPLC100C20MP13C	CF/CM64D	1.02	1.20	0.88
TPLC120C20MP13C	CF/CM/CU42C	1.02	1.10	1.00
TPLC120C20MP13C	CF/CM/CU48C	1.02	1.11	0.96
TPLC120C20MP13C	CF/CM/CU48D	1.02	1.11	0.98
TPLC120C20MP13C	CF/CM/CU60C	1.02	1.13	0.92
TPLC120C20MP13C	CF/CM42D	1.02	1.10	0.98
TPLC120C20MP13C	CF/CM50C	1.00	1.10	0.94
TPLC120C20MP13C	CF/CM61D	1.00	1.10	0.88
TPLC120C20MP13C	CF/CM64D	1.02	1.20	0.88
YP9C060B12MP13C	CF/CM/CU42C	1.01	1.04	0.96
YP9C060B12MP13C	CF/CM/CU48C	1.01	1.03	0.94
YP9C060B12MP13C	CF/CM/CU60C	1.00	1.01	0.92
YP9C060B12MP13C	CF/CM50C	0.98	1.02	0.91
YP9C060B12MP13C	CF42B	1.00	1.03	0.94
YP9C080B12MP13C	CF/CM/CU42C	1.01	1.07	0.97
YP9C080B12MP13C	CF/CM/CU48C	1.02	1.11	0.96
YP9C080B12MP13C	CF/CM/CU60C	1.01	1.08	0.93
YP9C080B12MP13C	CF/CM50C	0.99	1.07	0.93
YP9C080B12MP13C	CF42B	1.01	1.07	0.97
YP9C080C16MP13C	CF/CM/CU42C	1.02	1.06	0.97
YP9C080C16MP13C	CF/CM/CU48C	1.02	1.13	0.96
YP9C080C16MP13C	CF/CM/CU48D	1.02	1.13	0.96
YP9C080C16MP13C	CF/CM/CU60C	1.02	1.10	0.92
YP9C080C16MP13C	CF/CM42D	1.02	1.10	0.98
YP9C080C16MP13C	CF/CM50C	0.99	1.09	0.91
YP9C080C16MP13C	CF/CM61D	0.99	1.13	0.93
YP9C080C16MP13C	CF/CM64D	1.02	1.19	0.92
YP9C100C16MP13C	CF/CM/CU42C	1.02	1.10	0.98
YP9C100C16MP13C	CF/CM/CU48C	1.02	1.13	0.96
YP9C100C16MP13C	CF/CM/CU48D	1.02	1.14	0.96
YP9C100C16MP13C	CF/CM/CU60C	1.02	1.13	0.92
YP9C100C16MP13C	CF/CM42D	1.02	1.12	0.98
YP9C100C16MP13C	CF/CM50C	1.00	1.12	0.92
YP9C100C16MP13C	CF/CM61D	1.00	1.12	0.90
YP9C100C16MP13C	CF/CM64D	1.02	1.17	0.90
YP9C100C20MP13C	CF/CM/CU42C	1.02	1.10	0.98
YP9C100C20MP13C	CF/CM/CU48C	1.02	1.13	0.98
YP9C100C20MP13C	CF/CM/CU48D	1.02	1.13	0.96

Furnaces	Coils	T.C.	S.C.	KW
YP9C100C20MP13C	CF/CM/CU60C	1.02	1.14	0.92
YP9C100C20MP13C	CF/CM42D	1.02	1.10	0.98
YP9C100C20MP13C	CF/CM50C	0.99	1.12	0.91
YP9C100C20MP13C	CF/CM61D	1.00	1.12	0.92
YP9C100C20MP13C	CF/CM64D	1.02	1.18	0.88
YP9C120D20MP13C	CF/CM/CU48D	1.02	1.15	0.96
YP9C120D20MP13C	CF/CM42D	1.02	1.13	0.98
YP9C120D20MP13C	CF/CM61D	1.00	1.13	0.90
YP9C120D20MP13C	CF/CM64D	1.02	1.22	0.88
YPLC060A12MP13C	CF42B	1.00	1.02	0.96
YPLC080B12MP13C	CF/CM/CU42C	1.01	1.04	0.96
YPLC080B12MP13C	CF/CM/CU48C	1.01	1.03	0.92
YPLC080B12MP13C	CF/CM/CU60C	1.00	1.02	0.92
YPLC080B12MP13C	CF42B	1.00	1.04	0.96
YPLC080C16MP13C	CF/CM/CU42C	1.01	1.03	0.97
YPLC080C16MP13C	CF/CM/CU48C	1.02	1.02	0.95
YPLC080C16MP13C	CF/CM/CU48D	1.02	1.02	0.95
YPLC080C16MP13C	CF/CM/CU60C	1.01	1.00	0.90
YPLC080C16MP13C	CF/CM42D	1.01	1.03	0.99
YPLC080C16MP13C	CF/CM50C	0.99	1.06	0.91
YPLC080C16MP13C	CF/CM61D	0.99	1.08	0.89
YPLC080C16MP13C	CF/CM64D	1.02	1.09	0.88
YPLC100C16MP13C	CF/CM/CU42C	1.01	1.03	0.97
YPLC100C16MP13C	CF/CM/CU48C	1.02	1.02	0.95
YPLC100C16MP13C	CF/CM/CU48D	1.02	1.02	0.95
YPLC100C16MP13C	CF/CM/CU60C	1.01	1.00	0.90
YPLC100C16MP13C	CF/CM42D	1.01	1.03	0.99
YPLC100C16MP13C	CF/CM50C	0.99	1.06	0.91
YPLC100C16MP13C	CF/CM61D	0.99	1.08	0.89
YPLC100C16MP13C	CF/CM64D	1.02	1.09	0.88
YPLC100C20MP13C	CF/CM/CU42C	1.02	1.10	1.00
YPLC100C20MP13C	CF/CM/CU48C	1.02	1.11	0.96
YPLC100C20MP13C	CF/CM/CU48D	1.02	1.11	0.98
YPLC100C20MP13C	CF/CM/CU60C	1.02	1.13	0.92
YPLC100C20MP13C	CF/CM42D	1.02	1.10	0.98
YPLC100C20MP13C	CF/CM50C	1.00	1.10	0.94
YPLC100C20MP13C	CF/CM61D	1.00	1.10	0.88
YPLC100C20MP13C	CF/CM64D	1.02	1.20	0.88
YPLC120C20MP13C	CF/CM/CU42C	1.02	1.10	1.00
YPLC120C20MP13C	CF/CM/CU48C	1.02	1.11	0.96
YPLC120C20MP13C	CF/CM/CU48D	1.02	1.11	0.98
YPLC120C20MP13C	CF/CM/CU60C	1.02	1.13	0.92
YPLC120C20MP13C	CF/CM42D	1.02	1.10	0.98
YPLC120C20MP13C	CF/CM50C	1.00	1.10	0.94
YPLC120C20MP13C	CF/CM61D	1.00	1.10	0.88
YPLC120C20MP13C	CF/CM64D	1.02	1.20	0.88

## PERFORMANCE DATA - 4 TON - COPPER MATCHED SYSTEMS

COOLING PERFORMANCE DATA																
AIR CONDITIONER MODEL NO.		TCHD48S41S3														
INDOOR COIL MODEL NO.		FC/MC/PC48														
AIR TEMP. ENTERING OUTDOOR UNIT (°F)	ID CFM	1400					1600					1800				
	ID DB (°F)	80	80	75	80	80	80	80	75	80	80	80	80	75	80	80
	ID WB (°F)	57	62	62	67	72	57	62	62	67	72	57	62	62	67	72
65	T.C.	44.8	47.3	47.9	52.2	56.8	46.3	48.2	48.8	53.2	58.1	47.8	49.1	49.7	54.3	59.4
	S.C.	44.8	40.3	34.7	34.4	26.8	46.3	42.9	36.8	36.7	28.0	47.8	45.5	38.9	39.0	29.2
	KW	2.74	2.71	2.74	2.72	2.73	2.73	2.72	2.74	2.72	2.74	2.73	2.72	2.74	2.72	2.75
75	T.C.	43.4	45.6	46.0	50.2	54.7	44.8	46.5	46.8	51.2	55.9	46.2	47.4	47.7	52.1	57.2
	S.C.	43.4	40.1	34.1	33.6	26.0	44.8	42.7	36.3	35.7	27.1	46.2	45.3	38.5	37.9	28.3
	KW	3.21	3.19	3.21	3.18	3.17	3.20	3.19	3.20	3.17	3.18	3.18	3.18	3.19	3.17	3.18
85	T.C.	42.0	44.0	44.1	48.2	52.5	43.3	44.9	44.9	49.1	53.7	44.6	45.8	45.7	49.9	54.9
	S.C.	42.0	40.0	33.6	32.8	25.2	43.3	42.5	35.9	34.8	26.3	44.6	45.1	38.2	36.8	27.4
	KW	3.69	3.68	3.68	3.64	3.61	3.66	3.65	3.66	3.63	3.61	3.63	3.63	3.64	3.62	3.61
95	T.C.	40.5	42.4	42.2	46.2	50.3	41.8	43.3	42.9	47.0	51.5	43.0	44.1	43.6	47.8	52.7
	S.C.	40.5	39.8	33.1	32.0	24.4	41.8	42.4	35.5	33.8	25.5	43.0	44.1	37.9	35.7	26.6
	KW	4.17	4.16	4.15	4.10	4.05	4.13	4.12	4.12	4.09	4.05	4.08	4.09	4.09	4.07	4.04
105	T.C.	37.9	38.7	37.3	43.4	47.6	39.2	40.2	38.6	44.1	48.7	40.5	41.6	39.9	44.9	49.8
	S.C.	37.9	37.2	31.1	30.8	23.4	39.2	39.7	33.6	32.8	24.6	40.5	41.6	36.1	34.7	25.7
	KW	5.42	5.57	5.70	4.94	4.79	5.16	5.24	5.52	4.90	4.78	4.90	4.91	5.34	4.86	4.77
115	T.C.	35.4	35.2	32.6	40.6	44.9	36.7	37.2	34.4	41.3	45.9	38.1	39.1	36.3	42.1	46.9
	S.C.	35.4	34.6	29.2	29.7	22.6	36.7	37.2	31.8	31.7	23.8	38.1	39.1	34.4	33.6	24.9
	KW	6.63	6.93	7.21	5.75	5.50	6.16	6.32	6.88	5.69	5.49	5.69	5.71	6.55	5.62	5.48
125	T.C.	32.9	31.7	27.8	37.8	42.3	34.2	34.2	30.2	38.6	43.2	35.6	36.7	32.7	39.3	44.1
	S.C.	32.9	31.7	27.3	28.7	21.7	34.2	34.2	30.0	30.6	22.9	35.6	36.7	32.7	32.6	24.1
	KW	7.84	8.30	8.72	6.57	6.21	7.16	7.40	8.24	6.47	6.20	6.48	6.50	7.76	6.38	6.20

NOTE: ALL CAPACITIES INCLUDE INDOOR FAN HEAT. KW VALUES ARE FOR THE SYSTEM (OUTDOOR + INDOOR).

Green shaded cells are ACCA (TVA) conditions.

Blue shaded cells are AHRI conditions.

## Multipliers for determining the performance with other indoor sections.

NOTE: For dry bulb temperatures different than those listed (between 73-87 °F), sensible capacity increases by 1060 BTUH per 1000 CFM per degree above the listed temperature and decreases by 1060 BTUH per 1000 CFM per degree below the listed temperature.

Air Handlers	Coils	T.C.	S.C.	KW
–	FC/MC/PC48	1.00	1.00	1.00
–	FC/MC/PC60	0.99	0.98	1.01
–	FC/MC62	1.01	1.01	1.00
–	FC64	1.03	1.05	1.01
AHE48D	–	1.00	1.01	0.96
AHE60D	–	1.02	1.02	0.96
AHR48D	–	1.00	1.01	1.00
AHR60D	–	1.01	1.02	1.01
AHV48D	–	0.99	0.98	0.99
AHV60D	–	1.00	1.01	0.98
MV16C	FC/MC48C	1.01	1.01	0.96

Air Handlers	Coils	T.C.	S.C.	KW
MV16C	FC60C	1.00	0.99	0.98
MV20D	FC/MC48D	1.01	1.01	0.97
MV20D	FC/MC60D	0.97	0.98	0.96
MV20D	FC/MC62D	1.02	1.02	0.96
MV20D	FC64D	1.05	1.07	0.97
MX16CN21	FC/MC48C	0.99	0.99	0.96
MX16CN21	FC60C	0.99	0.99	0.95
MX20DN21	FC/MC48D	0.99	0.98	0.93
MX20DN21	FC/MC60D	1.00	0.99	0.94
MX20DN21	FC/MC62D	1.00	1.00	0.92
MX20DN21	FC64D	1.03	1.03	0.93

Furnaces	Coils	T.C.	S.C.	KW
T*(8,L)C*C16	FC/MC/PC48C	1.00	1.01	1.00
T*(8,L)C*C16	FC/PC60C	0.99	1.00	0.99
T*(8,L)C*C16	FC64D	1.04	1.06	0.98
T*(8,L)C*C16	HD48	1.00	1.01	0.99
T*(8,L)C*C16	HD60	1.01	1.02	0.98
T*(8,L)C*C16	UC48C	0.97	0.98	0.98
T*(8,L)C*C16	UC60C	0.98	0.97	0.98
T*(8,L)C*C20	FC/MC/PC48C	1.00	1.01	0.99
T*(8,L)C*C20	FC/PC60C	1.00	1.01	0.99
T*(8,L)C*C20	FC64D	1.04	1.06	0.98
T*(8,L)C*C20	HD48	1.00	1.01	0.99
T*(8,L)C*C20	HD60	1.01	1.02	0.96
T*(8,L)C*C20	UC48C	0.97	0.98	0.98
T*(8,L)C*C20	UC60C	0.98	0.98	0.96
T*(8,L)V*C16	FC/MC/PC48C	1.00	1.01	1.00
T*(8,L)V*C16	FC/PC60C	0.99	1.00	0.99
T*(8,L)V*C16	FC64D	1.04	1.06	0.98
T*(8,L)V*C16	HD60	1.01	1.02	0.98
T*(8,L)V*C16	UC48C	0.97	0.98	0.98
T*(8,L)V*C16	UC60C	0.98	0.97	0.98
T*(8,L)V*C20	FC/MC/PC48C	1.00	1.01	0.99
T*(8,L)V*C20	FC/PC60C	1.00	1.01	0.99
T*(8,L)V*C20	FC64D	1.04	1.06	0.98
T*(8,L)V*C20	HD60	1.01	1.02	0.96
T*(8,L)V*C20	UC48C	0.97	0.98	0.98
T*(8,L)V*C20	UC60C	0.98	0.98	0.96
T*9(C,V)*C16	FC/MC/PC48C	1.00	1.00	0.99
T*9(C,V)*C16	FC/PC60C	1.00	1.02	0.99
T*9(C,V)*C16	FC64D	1.04	1.05	1.00
T*9(C,V)*C16	HD48	1.00	1.01	0.99
T*9(C,V)*C16	HD60	1.00	1.01	0.99
T*9(C,V)*C16	UC48C	0.97	0.98	0.99
T*9(C,V)*C16	UC60C	0.97	0.97	0.99
T*9(C,V)*C20	FC/MC/PC48C	1.01	1.02	0.99
T*9(C,V)*C20	FC/PC60C	1.00	1.02	0.99
T*9(C,V)*C20	FC64D	1.04	1.05	1.02
T*9(C,V)*C20	HD48	1.00	1.01	0.99
T*9(C,V)*C20	HD60	1.00	1.01	0.99
T*9(C,V)*C20	UC48C	0.97	0.98	0.99
T*9(C,V)*C20	UC60C	0.97	0.97	0.99
T*9(C,V)*D20	FC/MC/PC48D	1.01	1.02	0.99
T*9(C,V)*D20	FC/MC/PC60D	1.00	1.02	0.98
T*9(C,V)*D20	FC/MC62D	1.01	1.02	0.98
T*9(C,V)*D20	FC64D	1.04	1.05	1.00
T*9(C,V)*D20	HD48	1.00	1.01	0.99
T*9(C,V)*D20	HD60	1.01	1.02	0.99
T*9(C,V)*D20	UC48D	0.97	0.98	0.99
T*9(C,V)*D20	UC60D	0.98	0.97	0.99
TM8X080C16MP11	FC/MC/PC48C	0.98	0.96	0.98
TM8X080C16MP11	FC/MC/PC60D	0.99	0.98	1.01
TM8X080C16MP11	FC/MC62D	0.99	0.99	0.99
TM8X080C16MP11	FC/PC60C	0.99	0.98	0.99
TM8X080C16MP11	FC64D	1.02	1.01	0.97
TM8X100C16MP11	FC/MC/PC48C	0.98	0.96	0.98
TM8X100C16MP11	FC/MC/PC60D	0.99	0.98	1.01
TM8X100C16MP11	FC/MC62D	0.99	0.99	0.99
TM8X100C16MP11	FC/PC60C	0.99	0.98	0.99
TM8X100C16MP11	FC64D	1.02	1.01	0.97

Furnaces	Coils	T.C.	S.C.	KW
TM8X100C16MP11	FC/PC60C	0.99	0.98	0.99
TM8X100C16MP11	FC64D	1.02	1.01	0.97
TM8X100C20MP11	FC/MC/PC48C	0.98	0.97	0.96
TM8X100C20MP11	FC/MC/PC48D	0.98	0.97	0.98
TM8X100C20MP11	FC/MC/PC60D	0.99	0.98	0.99
TM8X100C20MP11	FC/MC62D	0.99	0.99	0.97
TM8X100C20MP11	FC/PC60C	0.99	0.98	0.99
TM8X100C20MP11	FC64D	1.02	1.01	0.96
TM8X100C20MP11	UC60C	0.98	0.95	0.97
TM8X100C20MP11	UC60D	0.98	0.95	0.96
TM8X120C20MP11	FC/MC/PC48C	0.98	0.97	0.96
TM8X120C20MP11	FC/MC/PC48D	0.98	0.97	0.98
TM8X120C20MP11	FC/MC/PC60D	0.99	0.98	0.99
TM8X120C20MP11	FC/MC62D	0.99	0.99	0.97
TM8X120C20MP11	FC/PC60C	0.99	0.98	0.99
TM8X120C20MP11	FC64D	1.02	1.01	0.96
TM8X120C20MP11	UC60C	0.98	0.95	0.97
TM8X120C20MP11	UC60D	0.98	0.95	0.96
TM9E100C20MP11	FC/MC62D	0.99	0.99	0.99
TM9E100C20MP11	FC64D	1.02	1.01	0.97
TM9E120D20MP11	FC/MC/PC48D	0.98	0.96	0.98
TM9E120D20MP11	FC/MC/PC60D	0.99	0.98	0.97
TM9E120D20MP11	FC/MC62D	0.99	0.99	0.99
TM9E120D20MP11	FC64D	1.02	1.01	0.97
TM9E120D20MP11	UC60D	0.98	0.95	0.98
TM9X100C20MP11	FC/MC62D	0.99	0.99	0.99
TM9X100C20MP11	FC64D	1.02	1.01	0.97
TM9X120D20MP11	FC/MC/PC48D	0.98	0.96	0.98
TM9X120D20MP11	FC/MC/PC60D	0.99	0.98	0.97
TM9X120D20MP11	FC/MC62D	0.99	0.99	0.99
TM9X120D20MP11	FC64D	1.02	1.01	0.97
TM9X120D20MP11	UC60D	0.98	0.95	0.98
TMLX080C16MP11	FC/MC/PC48C	0.98	0.96	0.98
TMLX080C16MP11	FC/MC/PC60D	0.99	0.98	1.01
TMLX080C16MP11	FC/MC62D	0.99	0.99	0.99
TMLX080C16MP11	FC/PC60C	0.99	0.98	0.99
TMLX080C16MP11	FC64D	1.02	1.01	0.97
TMLX100C16MP11	FC/MC/PC48C	0.98	0.96	0.98
TMLX100C16MP11	FC/MC/PC60D	0.99	0.98	1.01
TMLX100C16MP11	FC/MC62D	0.99	0.99	0.99
TMLX100C16MP11	FC/PC60C	0.99	0.98	0.99
TMLX100C16MP11	FC64D	1.02	1.01	0.97
TMLX100C20MP11	FC/MC/PC48C	0.98	0.97	0.96
TMLX100C20MP11	FC/MC/PC48D	0.98	0.97	0.98
TMLX100C20MP11	FC/MC/PC60D	0.99	0.98	0.99
TMLX100C20MP11	FC/MC62D	0.99	0.99	0.97
TMLX100C20MP11	FC/PC60C	0.99	0.98	0.99
TMLX100C20MP11	FC64D	1.02	1.01	0.96
TMLX100C20MP11	UC60C	0.98	0.95	0.97
TMLX100C20MP11	UC60D	0.98	0.95	0.96
TMLX120C20MP11	FC/MC/PC48C	0.98	0.97	0.96
TMLX120C20MP11	FC/MC/PC48D	0.98	0.97	0.98
TMLX120C20MP11	FC/MC/PC60D	0.99	0.98	0.99
TMLX120C20MP11	FC/MC62D	0.99	0.99	0.97
TMLX120C20MP11	FC/PC60C	0.99	0.98	0.99
TMLX120C20MP11	FC64D	1.02	1.01	0.96

Furnaces	Coils	T.C.	S.C.	KW
TMLX120C20MP11	UC60C	0.98	0.95	0.97
TMLX120C20MP11	UC60D	0.98	0.95	0.96
Y*(8,L)C*C16	FC/MC/PC48C	1.00	1.01	1.00
Y*(8,L)C*C16	FC/PC60C	0.99	1.00	0.99
Y*(8,L)C*C16	FC64D	1.04	1.06	0.98
Y*(8,L)C*C16	HD60	1.01	1.02	0.98
Y*(8,L)C*C16	UC48C	0.97	0.98	0.98
Y*(8,L)C*C16	UC60C	0.98	0.97	0.98
Y*(8,L)C*C20	FC/MC/PC48C	1.00	1.01	0.99
Y*(8,L)C*C20	FC/PC60C	1.00	1.01	0.99
Y*(8,L)C*C20	FC64D	1.04	1.06	0.98
Y*(8,L)C*C20	HD60	1.01	1.02	0.96
Y*(8,L)C*C20	UC48C	0.97	0.98	0.98
Y*(8,L)C*C20	UC60C	0.98	0.98	0.96
Y*9C*C16	FC/MC/PC48C	1.00	1.00	0.99
Y*9C*C16	FC/PC60C	1.00	1.02	0.99
Y*9C*C16	FC64D	1.04	1.05	1.00
Y*9C*C16	HD60	1.00	1.01	0.99

Furnaces	Coils	T.C.	S.C.	KW
Y*9C*C16	UC48C	0.97	0.98	0.99
Y*9C*C16	UC60C	0.97	0.97	0.99
Y*9C*C20	FC/MC/PC48C	1.01	1.02	0.99
Y*9C*C20	FC/PC60C	1.00	1.02	0.99
Y*9C*C20	FC64D	1.04	1.05	1.02
Y*9C*C20	HD60	1.00	1.01	0.99
Y*9C*C20	UC48C	0.97	0.98	0.99
Y*9C*C20	UC60C	0.97	0.97	0.99
Y*9C*D20	FC/MC/PC48D	1.01	1.02	0.99
Y*9C*D20	FC/MC/PC60D	1.00	1.02	0.98
Y*9C*D20	FC/MC62D	1.01	1.02	0.98
Y*9C*D20	FC64D	1.04	1.05	1.00
Y*9C*D20	HD60	1.01	1.02	0.99
Y*9C*D20	UC48D	0.97	0.98	0.99
Y*9C*D20	UC60D	0.98	0.97	0.99



## PERFORMANCE DATA - 4 TON - ALUMINUM MATCHED SYSTEMS

COOLING PERFORMANCE DATA																	
AIR CONDITIONER MODEL NO.		TCHD48S41S3															
INDOOR COIL MODEL NO.		CF/CM48D															
AIR TEMP. ENTERING OUTDOOR UNIT (°F)	ID CFM	1400					1600					1800					
	ID DB (°F)	80	80	75	80	80	80	80	75	80	80	80	80	80	75	80	80
	ID WB (°F)	57	62	62	67	72	57	62	62	67	72	57	62	62	67	72	
65	T.C.	44.8	47.3	47.9	52.2	56.8	46.3	48.2	48.8	53.2	58.1	47.8	49.1	49.7	54.3	59.4	
	S.C.	44.8	40.7	35.1	34.8	27.0	46.3	43.4	37.2	37.1	28.3	47.8	46.0	39.3	39.4	29.5	
	KW	2.86	2.84	2.86	2.84	2.86	2.86	2.84	2.86	2.84	2.87	2.85	2.84	2.86	2.84	2.88	
75	T.C.	43.4	45.6	46.0	50.2	54.7	44.8	46.5	46.8	51.2	55.9	46.2	47.4	47.7	52.1	57.2	
	S.C.	43.4	40.5	34.5	34.0	26.2	44.8	43.2	36.7	36.1	27.4	46.2	45.8	39.0	38.3	28.6	
	KW	3.36	3.34	3.35	3.32	3.32	3.34	3.33	3.34	3.32	3.32	3.32	3.32	3.33	3.31	3.33	
85	T.C.	42.0	44.0	44.1	48.2	52.5	43.3	44.9	44.9	49.1	53.7	44.6	45.8	45.7	49.9	54.9	
	S.C.	42.0	40.4	34.0	33.1	25.4	43.3	43.0	36.3	35.2	26.6	44.6	45.6	38.6	37.2	27.7	
	KW	3.86	3.84	3.85	3.80	3.78	3.83	3.82	3.82	3.80	3.78	3.80	3.80	3.80	3.79	3.78	
95	T.C.	40.5	42.4	42.2	46.2	50.3	41.8	43.3	42.9	47.0	51.5	43.0	44.1	43.6	47.8	52.7	
	S.C.	40.5	40.2	33.4	32.3	24.6	41.8	42.8	35.8	34.2	25.7	43.0	44.1	38.3	36.1	26.9	
	KW	4.36	4.35	4.34	4.29	4.23	4.31	4.31	4.31	4.27	4.23	4.27	4.28	4.27	4.26	4.23	
105	T.C.	37.9	38.7	37.3	43.4	47.6	39.2	40.2	38.6	44.1	48.7	40.5	41.6	39.9	44.9	49.8	
	S.C.	37.9	37.6	31.4	31.2	23.7	39.2	40.2	34.0	33.1	24.9	40.5	41.6	36.5	35.0	26.0	
	KW	5.66	5.82	5.96	5.16	5.00	5.39	5.48	5.77	5.12	5.00	5.12	5.13	5.58	5.08	4.99	
115	T.C.	35.4	35.2	32.6	40.6	44.9	36.7	37.2	34.4	41.3	45.9	38.1	39.1	36.3	42.1	46.9	
	S.C.	35.4	35.0	29.5	30.1	22.8	36.7	37.2	32.1	32.0	24.0	38.1	39.1	34.8	34.0	25.2	
	KW	6.93	7.25	7.54	6.01	5.75	6.44	6.61	7.19	5.94	5.74	5.95	5.97	6.84	5.87	5.73	
125	T.C.	32.9	31.7	27.8	37.8	42.3	34.2	34.2	30.2	38.6	43.2	35.6	36.7	32.7	39.3	44.1	
	S.C.	32.9	31.7	27.6	29.0	21.9	34.2	34.2	30.2	31.0	23.2	35.6	36.7	32.7	33.0	24.4	
	KW	8.19	8.68	9.12	6.86	6.49	7.48	7.74	8.62	6.77	6.49	6.77	6.80	8.11	6.67	6.48	

NOTE: ALL CAPACITIES INCLUDE INDOOR FAN HEAT. KW VALUES ARE FOR THE SYSTEM (OUTDOOR + INDOOR).

Green shaded cells are ACCA (TVA) conditions.

Blue shaded cells are AHRI conditions.

## Multipliers for determining the performance with other indoor sections.

NOTE: For dry bulb temperatures different than those listed (between 73-87 °F), sensible capacity increases by 1060 BTUH per 1000 CFM per degree above the listed temperature and decreases by 1060 BTUH per 1000 CFM per degree below the listed temperature.

Air Handlers	Coils	T.C.	S.C.	KW
–	CF/CM/CU48D	1.00	1.00	1.00
–	CF/CM/CU60C	1.02	1.06	1.02
–	CF/CM64D	1.02	1.07	1.02
AE48CX21	–	1.02	1.03	1.02
AE48DX21	–	1.02	1.04	0.94
AE60CX21	–	1.02	1.03	0.98
AE60CX22	–	1.02	1.06	1.00
AE60DX21	–	1.02	1.06	0.96
AP48CX21	–	1.02	1.05	1.02
AP48DX21	–	1.02	1.04	1.02
AVC48DX21	–	1.02	1.03	0.96
AVC60CX22	–	1.02	1.03	0.98
AVC60DX21	–	1.02	1.03	0.96

Air Handlers	Coils	T.C.	S.C.	KW
ME14DN21	CF/CM48D	1.02	1.05	0.96
ME14DN21	CF/CM60D	1.02	1.04	0.98
ME14DN21	CF/CM64D	1.02	1.04	0.96
ME16CN21	CF/CM60C	1.02	1.05	1.00
ME20DN21	CF/CM48D	1.02	1.05	0.94
ME20DN21	CF/CM64D	1.02	1.04	0.94
MVC14DN21	CF/CM48D	1.02	1.04	0.96
MVC14DN21	CF/CM60D	1.02	1.03	0.96
MVC14DN21	CF/CM64D	1.02	1.04	0.94
MVC16CN21	CF/CM60C	1.02	1.04	0.98
MVC20DN21	CF/CM48D	1.02	1.03	0.94
MVC20DN21	CF/CM64D	1.02	1.06	0.94

Furnaces	Coils	T.C.	S.C.	KW
TM8E080C16MP11	CF/CM/CU60C	1.02	1.09	1.02
TM8E080C16MP11	CF/CM/CU60D	1.02	1.10	1.02
TM8E080C16MP11	CF/CM64D	1.02	1.13	1.00
TM8E080C20MP11	CF/CM/CU48D	1.02	1.08	0.98
TM8E080C20MP11	CF/CM/CU60C	1.02	1.09	1.00
TM8E080C20MP11	CF/CM/CU60D	1.02	1.13	0.98
TM8E080C20MP11	CF/CM64D	1.02	1.14	0.98
TM8E100C16MP11	CF/CM/CU60C	1.02	1.09	1.02
TM8E100C16MP11	CF/CM/CU60D	1.02	1.10	1.02
TM8E100C16MP11	CF/CM64D	1.02	1.13	1.00
TM8E100C20MP11	CF/CM/CU48D	1.02	1.07	0.98
TM8E100C20MP11	CF/CM/CU60C	1.02	1.07	1.00
TM8E100C20MP11	CF/CM/CU60D	1.02	1.09	0.96
TM8E100C20MP11	CF/CM64D	1.02	1.12	0.98
TM8E120C16MP11	CF/CM/CU60C	1.02	1.09	1.02
TM8E120C16MP11	CF/CM/CU60D	1.02	1.13	1.00
TM8E120C16MP11	CF/CM64D	1.02	1.13	1.00
TM8E120C20MP11	CF/CM/CU48D	1.02	1.09	0.98
TM8E120C20MP11	CF/CM/CU60C	1.02	1.05	0.98
TM8E120C20MP11	CF/CM/CU60D	1.02	1.09	0.96
TM8E120C20MP11	CF/CM64D	1.02	1.12	0.96
TM8E130D20MP11	CF/CM/CU48D	1.02	1.06	0.98
TM8E130D20MP11	CF/CM/CU60D	1.02	1.05	0.98
TM8E130D20MP11	CF/CM64D	1.02	1.09	0.96
TM8V080C16MP12C	CF/CM/CU48D	1.02	1.05	1.00
TM8V080C16MP12C	CF/CM/CU60C	1.02	1.05	1.00
TM8V080C16MP12C	CF/CM/CU60D	1.02	1.05	1.00
TM8V080C16MP12C	CF/CM64D	1.02	1.07	0.98
TM8V100C16MP12C	CF/CM/CU48D	1.02	1.05	1.00
TM8V100C16MP12C	CF/CM/CU60C	1.02	1.05	1.00
TM8V100C16MP12C	CF/CM/CU60D	1.02	1.05	1.00
TM8V100C16MP12C	CF/CM64D	1.02	1.07	0.98
TM8V100C20MP12C	CF/CM/CU48D	1.02	1.07	0.98
TM8V100C20MP12C	CF/CM/CU60C	1.02	1.09	1.00
TM8V100C20MP12C	CF/CM64D	1.02	1.12	0.98
TM8V120C20MP12C	CF/CM/CU48D	1.02	1.07	0.98
TM8V120C20MP12C	CF/CM/CU60C	1.02	1.09	1.00
TM8V120C20MP12C	CF/CM64D	1.02	1.12	0.98
TM8X080C16MP11	CF/CM/CU60C	1.02	1.06	1.02
TM8X080C16MP11	CF/CM64D	1.02	1.12	1.00
TM8X100C16MP11	CF/CM/CU60C	1.02	1.06	1.02
TM8X100C16MP11	CF/CM64D	1.02	1.12	1.00
TM8X100C20MP11	CF/CM/CU48D	1.02	1.04	0.98
TM8X100C20MP11	CF/CM/CU60C	1.02	1.09	1.00
TM8X100C20MP11	CF/CM64D	1.02	1.12	0.98
TM8X120C20MP11	CF/CM/CU48D	1.02	1.04	0.98
TM8X120C20MP11	CF/CM/CU60C	1.02	1.09	1.00
TM8X120C20MP11	CF/CM64D	1.02	1.12	0.98
TM8Y080C16MP11	CF/CM/CU60C	1.02	1.06	1.02
TM8Y080C16MP11	CF/CM64D	1.02	1.12	1.00
TM8Y100C16MP11	CF/CM/CU60C	1.02	1.06	1.02
TM8Y100C16MP11	CF/CM64D	1.02	1.12	1.00
TM8Y100C20MP11	CF/CM/CU48D	1.02	1.04	0.98
TM8Y100C20MP11	CF/CM/CU60C	1.02	1.09	1.00
TM8Y100C20MP11	CF/CM64D	1.02	1.12	0.98
TM8Y120C20MP11	CF/CM/CU48D	1.02	1.04	0.98

Furnaces	Coils	T.C.	S.C.	KW
TM8Y120C20MP11	CF/CM/CU60C	1.02	1.09	1.00
TM8Y120C20MP11	CF/CM64D	1.02	1.12	0.98
TM9E080C16MP11	CF/CM/CU48D	1.02	1.03	1.02
TM9E080C16MP11	CF/CM/CU60D	1.02	1.03	1.02
TM9E080C16MP11	CF/CM64D	1.02	1.07	1.00
TM9E080C20MP12	CF/CM/CU48D	1.02	1.09	0.98
TM9E080C20MP12	CF/CM/CU60C	1.02	1.07	1.00
TM9E080C20MP12	CF/CM64D	1.02	1.11	0.98
TM9E100C16MP11	CF/CM/CU48D	1.02	1.05	1.00
TM9E100C16MP11	CF/CM/CU60C	1.02	1.03	1.02
TM9E100C16MP11	CF/CM64D	1.02	1.07	0.98
TM9E100C16MP12	CF/CM/CU60D	1.02	1.10	1.02
TM9E100C20MP11	CF/CM/CU60D	1.02	1.09	1.02
TM9E100C20MP12	CF/CM/CU48D	1.02	1.06	0.98
TM9E100C20MP12	CF/CM/CU60C	1.02	1.04	0.98
TM9E100C20MP12	CF/CM64D	1.02	1.12	0.96
TM9E120D20MP11	CF/CM/CU48D	1.02	1.04	0.98
TM9E120D20MP11	CF/CM64D	1.02	1.13	0.98
TM9E120D20MP12	CF/CM/CU48D	1.02	1.07	0.98
TM9E120D20MP12	CF/CM64D	1.02	1.13	1.00
TM9V080C16MP12C	CF/CM/CU48D	1.02	1.08	1.02
TM9V080C16MP12C	CF/CM/CU60C	1.02	1.05	1.02
TM9V080C16MP12C	CF/CM64D	1.02	1.09	1.00
TM9V100C16MP12C	CF/CM/CU48D	1.02	1.07	1.00
TM9V100C16MP12C	CF/CM/CU60C	1.02	1.10	1.02
TM9V100C16MP12C	CF/CM/CU60D	1.02	1.10	1.02
TM9V100C16MP12C	CF/CM64D	1.02	1.10	0.98
TM9V100C20MP12C	CF/CM/CU48D	1.02	1.07	1.00
TM9V100C20MP12C	CF/CM/CU60C	1.02	1.10	1.02
TM9V100C20MP12C	CF/CM/CU60D	1.02	1.09	1.02
TM9V100C20MP12C	CF/CM64D	1.02	1.13	1.00
TM9V120D20MP12C	CF/CM/CU48D	1.02	1.04	0.98
TM9V120D20MP12C	CF/CM64D	1.02	1.14	0.98
TM9Y080C16MP11	CF/CM/CU48D	1.02	1.03	1.02
TM9Y080C16MP11	CF/CM/CU60D	1.02	1.03	1.02
TM9Y080C16MP11	CF/CM64D	1.02	1.07	1.00
TM9Y100C16MP11	CF/CM/CU48D	1.02	1.05	1.00
TM9Y100C16MP11	CF/CM/CU60C	1.02	1.03	1.02
TM9Y100C16MP11	CF/CM64D	1.02	1.07	0.98
TM9Y100C20MP11	CF/CM/CU60D	1.02	1.09	1.02
TM9Y120D20MP11	CF/CM/CU48D	1.02	1.04	0.98
TM9Y120D20MP11	CF/CM64D	1.02	1.13	0.98
TMLE080C16MP11	CF/CM/CU60C	1.02	1.09	1.02
TMLE080C16MP11	CF/CM/CU60D	1.02	1.10	1.02
TMLE080C16MP11	CF/CM64D	1.02	1.13	1.00
TMLE080C20MP11	CF/CM/CU48D	1.02	1.08	0.98
TMLE080C20MP11	CF/CM/CU60C	1.02	1.09	1.00
TMLE080C20MP11	CF/CM/CU60D	1.02	1.13	0.98
TMLE080C20MP11	CF/CM64D	1.02	1.14	0.98
TMLE100C16MP11	CF/CM/CU60C	1.02	1.09	1.02
TMLE100C16MP11	CF/CM/CU60D	1.02	1.10	1.02
TMLE100C16MP11	CF/CM64D	1.02	1.13	1.00
TMLE100C20MP11	CF/CM/CU48D	1.02	1.07	0.98
TMLE100C20MP11	CF/CM/CU60C	1.02	1.07	1.00
TMLE100C20MP11	CF/CM/CU60D	1.02	1.09	0.96
TMLE100C20MP11	CF/CM64D	1.02	1.12	0.98

Furnaces	Coils	T.C.	S.C.	KW
TMLE120C16MP11	CF/CM/CU60C	1.02	1.09	1.02
TMLE120C16MP11	CF/CM/CU60D	1.02	1.13	1.00
TMLE120C16MP11	CF/CM64D	1.02	1.13	1.00
TMLE120C20MP11	CF/CM/CU48D	1.02	1.09	0.98
TMLE120C20MP11	CF/CM/CU60C	1.02	1.05	0.98
TMLE120C20MP11	CF/CM/CU60D	1.02	1.09	0.96
TMLE120C20MP11	CF/CM64D	1.02	1.12	0.96
TMLE130D20MP11	CF/CM/CU48D	1.02	1.06	0.98
TMLE130D20MP11	CF/CM/CU60D	1.02	1.05	0.98
TMLE130D20MP11	CF/CM64D	1.02	1.09	0.96
TMLV080C16MP12C	CF/CM/CU48D	1.02	1.05	1.00
TMLV080C16MP12C	CF/CM/CU60C	1.02	1.05	1.00
TMLV080C16MP12C	CF/CM/CU60D	1.02	1.05	1.00
TMLV080C16MP12C	CF/CM64D	1.02	1.07	0.98
TMLV100C16MP12C	CF/CM/CU48D	1.02	1.05	1.00
TMLV100C16MP12C	CF/CM/CU60C	1.02	1.05	1.00
TMLV100C16MP12C	CF/CM/CU60D	1.02	1.05	1.00
TMLV100C16MP12C	CF/CM64D	1.02	1.07	0.98
TMLV100C20MP12C	CF/CM/CU48D	1.02	1.07	0.98
TMLV100C20MP12C	CF/CM/CU60C	1.02	1.09	1.00
TMLV100C20MP12C	CF/CM64D	1.02	1.12	0.98
TMLV120C20MP12C	CF/CM/CU48D	1.02	1.07	0.98
TMLV120C20MP12C	CF/CM/CU60C	1.02	1.09	1.00
TMLV120C20MP12C	CF/CM64D	1.02	1.12	0.98
TMLX080C16MP11	CF/CM/CU60C	1.02	1.06	1.02
TMLX080C16MP11	CF/CM64D	1.02	1.12	1.00
TMLX100C16MP11	CF/CM/CU60C	1.02	1.06	1.02
TMLX100C16MP11	CF/CM64D	1.02	1.12	1.00
TMLX100C20MP11	CF/CM/CU48D	1.02	1.04	0.98
TMLX100C20MP11	CF/CM/CU60C	1.02	1.09	1.00
TMLX100C20MP11	CF/CM64D	1.02	1.12	0.98
TMLX120C20MP11	CF/CM/CU48D	1.02	1.04	0.98
TMLX120C20MP11	CF/CM/CU60C	1.02	1.09	1.00
TMLX120C20MP11	CF/CM64D	1.02	1.12	0.98
TP9C080C16MP13C	CF/CM/CU48D	1.02	1.08	1.02
TP9C080C16MP13C	CF/CM/CU60C	1.02	1.05	1.02
TP9C080C16MP13C	CF/CM64D	1.02	1.09	1.00
TP9C100C16MP13C	CF/CM/CU48D	1.02	1.07	1.00
TP9C100C16MP13C	CF/CM/CU60C	1.02	1.10	1.02
TP9C100C16MP13C	CF/CM/CU60D	1.02	1.10	1.02
TP9C100C16MP13C	CF/CM64D	1.02	1.10	0.98
TP9C100C20MP13C	CF/CM/CU48D	1.02	1.07	1.00
TP9C100C20MP13C	CF/CM/CU60C	1.02	1.10	1.02
TP9C100C20MP13C	CF/CM/CU60D	1.02	1.09	1.02
TP9C100C20MP13C	CF/CM64D	1.02	1.13	1.00

Furnaces	Coils	T.C.	S.C.	KW
TP9C120D20MP13C	CF/CM/CU48D	1.02	1.04	0.98
TP9C120D20MP13C	CF/CM64D	1.02	1.14	0.98
TPLC080C16MP13C	CF/CM/CU48D	1.02	1.05	1.00
TPLC080C16MP13C	CF/CM/CU60C	1.02	1.05	1.00
TPLC080C16MP13C	CF/CM/CU60D	1.02	1.05	1.00
TPLC080C16MP13C	CF/CM64D	1.02	1.07	0.98
TPLC100C16MP13C	CF/CM/CU48D	1.02	1.05	1.00
TPLC100C16MP13C	CF/CM/CU60C	1.02	1.05	1.00
TPLC100C16MP13C	CF/CM/CU60D	1.02	1.05	1.00
TPLC100C16MP13C	CF/CM64D	1.02	1.07	0.98
TPLC100C20MP13C	CF/CM/CU48D	1.02	1.07	0.98
TPLC100C20MP13C	CF/CM/CU60C	1.02	1.09	1.00
TPLC100C20MP13C	CF/CM64D	1.02	1.12	0.98
TPLC120C20MP13C	CF/CM/CU48D	1.02	1.07	0.98
TPLC120C20MP13C	CF/CM/CU60C	1.02	1.09	1.00
TPLC120C20MP13C	CF/CM64D	1.02	1.12	0.98
YP9C080C16MP13C	CF/CM/CU48D	1.02	1.08	1.02
YP9C080C16MP13C	CF/CM/CU60C	1.02	1.05	1.02
YP9C080C16MP13C	CF/CM64D	1.02	1.09	1.00
YP9C100C16MP13C	CF/CM/CU48D	1.02	1.07	1.00
YP9C100C16MP13C	CF/CM/CU60C	1.02	1.10	1.02
YP9C100C16MP13C	CF/CM/CU60D	1.02	1.10	1.02
YP9C100C16MP13C	CF/CM64D	1.02	1.10	0.98
YP9C100C20MP13C	CF/CM/CU48D	1.02	1.07	1.00
YP9C100C20MP13C	CF/CM/CU60C	1.02	1.10	1.02
YP9C100C20MP13C	CF/CM/CU60D	1.02	1.09	1.02
YP9C100C20MP13C	CF/CM64D	1.02	1.13	1.00
YP9C120D20MP13C	CF/CM/CU48D	1.02	1.04	0.98
YP9C120D20MP13C	CF/CM64D	1.02	1.14	0.98
YPLC080C16MP13C	CF/CM/CU48D	1.02	1.05	1.00
YPLC080C16MP13C	CF/CM/CU60C	1.02	1.05	1.00
YPLC080C16MP13C	CF/CM/CU60D	1.02	1.05	1.00
YPLC080C16MP13C	CF/CM64D	1.02	1.07	0.98
YPLC100C16MP13C	CF/CM/CU48D	1.02	1.05	1.00
YPLC100C16MP13C	CF/CM/CU60C	1.02	1.05	1.00
YPLC100C16MP13C	CF/CM/CU60D	1.02	1.05	1.00
YPLC100C16MP13C	CF/CM64D	1.02	1.07	0.98
YPLC100C20MP13C	CF/CM/CU48D	1.02	1.07	0.98
YPLC100C20MP13C	CF/CM/CU60C	1.02	1.09	1.00
YPLC100C20MP13C	CF/CM64D	1.02	1.12	0.98
YPLC120C20MP13C	CF/CM/CU48D	1.02	1.07	0.98
YPLC120C20MP13C	CF/CM/CU60C	1.02	1.09	1.00
YPLC120C20MP13C	CF/CM64D	1.02	1.12	0.98

## PERFORMANCE DATA - 5 TON - COPPER MATCHED SYSTEMS

COOLING PERFORMANCE DATA																
AIR CONDITIONER MODEL NO.		TCHD60S41S3														
INDOOR COIL MODEL NO.		FC/MC62														
AIR TEMP. ENTERING OUTDOOR UNIT (°F)	ID CFM	1600					1800					2000				
	ID DB (°F)	80	80	75	80	80	80	80	75	80	80	80	80	75	80	80
	ID WB (°F)	57	62	62	67	72	57	62	62	67	72	57	62	62	67	72
65	T.C.	54.0	58.2	58.3	62.9	68.5	55.4	59.4	59.3	64.2	69.8	56.9	60.6	60.3	65.4	71.0
	S.C.	54.0	49.2	41.5	41.2	31.7	55.4	51.9	43.5	43.0	32.8	56.9	54.5	45.5	44.8	34.0
	KW	3.32	3.35	3.32	3.40	3.48	3.34	3.37	3.34	3.43	3.50	3.37	3.39	3.36	3.45	3.52
75	T.C.	51.8	55.7	55.7	60.6	66.1	53.3	56.9	56.7	61.8	67.3	54.8	58.0	57.8	63.0	68.5
	S.C.	51.8	47.8	40.2	39.9	30.8	53.3	50.4	42.2	41.8	31.9	54.8	53.1	44.2	43.7	33.1
	KW	3.96	3.98	3.98	4.00	4.05	3.97	3.99	3.98	4.01	4.06	3.98	3.99	3.99	4.03	4.08
85	T.C.	49.7	53.3	53.2	58.3	63.8	51.2	54.3	54.2	59.4	64.9	52.8	55.4	55.2	60.5	66.0
	S.C.	49.7	46.4	38.9	38.6	29.8	51.2	49.0	40.9	40.6	31.0	52.8	51.7	42.9	42.5	32.1
	KW	4.61	4.61	4.63	4.59	4.61	4.59	4.60	4.62	4.60	4.62	4.58	4.60	4.61	4.60	4.63
95	T.C.	47.6	50.8	50.6	55.9	61.4	49.2	51.8	51.6	57.0	62.4	50.7	52.8	52.6	58.1	63.4
	S.C.	47.6	45.0	37.6	37.4	28.9	49.2	47.6	39.6	39.3	30.1	50.7	50.2	41.5	41.3	31.2
	KW	5.25	5.23	5.29	5.19	5.18	5.22	5.22	5.26	5.18	5.18	5.20	5.24	5.17	5.19	
105	T.C.	44.8	47.6	47.4	52.8	58.3	46.3	48.6	48.3	53.8	59.3	47.8	49.7	49.2	54.9	60.3
	S.C.	44.8	43.1	36.1	36.0	27.8	46.3	45.7	38.0	38.0	29.0	47.8	48.2	39.9	39.9	30.1
	KW	6.46	6.36	6.48	6.18	6.04	6.35	6.31	6.42	6.15	6.01	6.25	6.25	6.36	6.11	5.98
115	T.C.	42.0	44.4	44.3	49.8	55.2	43.5	45.6	45.2	50.8	56.3	45.0	46.7	46.0	51.7	57.4
	S.C.	42.0	41.3	34.6	34.7	26.8	43.5	43.8	36.5	36.6	27.9	45.0	46.3	38.4	38.6	29.1
	KW	7.64	7.46	7.63	7.14	6.88	7.46	7.36	7.54	7.08	6.81	7.28	7.27	7.45	7.03	6.75
125	T.C.	39.3	41.3	41.2	46.8	52.1	40.7	42.5	42.0	47.7	53.2	42.1	43.7	42.8	48.6	54.4
	S.C.	39.3	39.5	33.2	33.4	25.7	40.7	41.9	35.0	35.3	26.9	42.1	43.7	36.9	37.2	28.1
	KW	8.81	8.56	8.78	8.10	7.72	8.56	8.42	8.66	8.02	7.62	8.31	8.29	8.54	7.94	7.52

NOTE: ALL CAPACITIES INCLUDE INDOOR FAN HEAT. KW VALUES ARE FOR THE SYSTEM (OUTDOOR + INDOOR).

Green shaded cells are ACCA (TVA) conditions.

Blue shaded cells are AHRI conditions.

## Multipliers for determining the performance with other indoor sections.

NOTE: For dry bulb temperatures different than those listed (between 73-87 °F), sensible capacity increases by 1060 BTUH per 1000 CFM per degree above the listed temperature and decreases by 1060 BTUH per 1000 CFM per degree below the listed temperature.

Air Handlers	Coils	T.C.	S.C.	KW
-	FC/MC62	1.00	1.00	1.00
-	FC64	1.03	1.05	1.00
AHE60D	-	1.01	1.03	0.96
AHV60D	-	0.99	0.97	0.99
MV20D	FC/MC62D	1.01	1.00	0.98
MV20D	FC64D	1.04	1.05	0.99
MX20DN21	FC/MC62D	1.00	0.99	0.95
MX20DN21	FC64D	1.02	1.03	0.95

Furnaces	Coils	T.C.	S.C.	KW
T*(8,L)C*C16	HD60	1.00	1.01	0.99
T*(8,L)C*C20	FC/MC62D	0.99	0.97	0.96
T*(8,L)C*C20	HD60	0.98	0.96	0.95
T*(8,L)V*C16	HD60	1.00	1.01	0.99
T*(8,L)V*C20	FC/MC62D	0.99	0.97	0.96
T*9(C,V)*C16	HD60	0.98	0.96	0.96
T*9(C,V)*C20	FC/MC62D	0.99	0.96	0.98
T*9(C,V)*C20	FC64D	1.02	1.01	0.99
T*9(C,V)*C20	HD60	0.98	0.96	0.97
T*9(C,V)*D20	FC/MC62D	0.99	0.96	0.97

Furnaces	Coils	T.C.	S.C.	KW
T*9(C,V)*D20	FC64D	1.02	1.01	0.97
T*9(C,V)*D20	HD60	0.98	0.96	0.97
TM8X100C20MP11	FC/MC62D	0.97	0.95	0.96
TM8X100C20MP11	FC64D	1.00	0.98	0.95
TM8X120C20MP11	FC/MC62D	0.97	0.95	0.96
TM8X120C20MP11	FC64D	1.00	0.98	0.95
TM9E100C20MP11	FC64D	0.99	0.95	0.96
TM9E120D20MP11	FC64D	0.99	0.95	0.96
TM9X100C20MP11	FC64D	0.99	0.95	0.96
TM9X120D20MP11	FC64D	0.99	0.95	0.96
TMLX100C20MP11	FC/MC62D	0.97	0.95	0.96
TMLX100C20MP11	FC64D	1.00	0.98	0.95
TMLX120C20MP11	FC/MC62D	0.97	0.95	0.96
TMLX120C20MP11	FC64D	1.00	0.98	0.95
Y*(8,L)C*C16	HD60	1.00	1.01	0.99
Y*(8,L)C*C20	FC/MC62D	0.99	0.97	0.96
Y*9C*C16	HD60	0.98	0.96	0.96
Y*9C*C20	FC/MC62D	0.99	0.96	0.98
Y*9C*C20	FC64D	1.02	1.01	0.99
Y*9C*D20	FC/MC62D	0.99	0.96	0.97
Y*9C*D20	FC64D	1.02	1.01	0.97

## PERFORMANCE DATA - 5 TON - ALUMINUM MATCHED SYSTEMS

COOLING PERFORMANCE DATA																
AIR CONDITIONER MODEL NO.		TCHD60S41S3														
INDOOR COIL MODEL NO.		CF/CM64D														
AIR TEMP. ENTERING OUTDOOR UNIT (°F)	ID CFM	1600					1800					2000				
	ID DB (°F)	80	80	75	80	80	80	80	75	80	80	80	80	75	80	80
	ID WB (°F)	57	62	62	67	72	57	62	62	67	72	57	62	62	67	72
65	T.C.	55.4	59.7	59.8	64.6	70.3	56.9	61.0	60.9	65.9	71.6	58.4	62.2	61.9	67.1	72.9
	S.C.	54.1	48.8	41.2	40.8	31.5	55.6	51.4	43.2	42.6	32.6	57.0	54.0	45.2	44.5	33.7
	KW	3.40	3.44	3.41	3.49	3.57	3.43	3.46	3.43	3.52	3.59	3.46	3.48	3.45	3.54	3.61
75	T.C.	53.2	57.2	57.2	62.2	67.9	54.7	58.4	58.2	63.4	69.1	56.3	59.5	59.3	64.6	70.3
	S.C.	52.0	47.4	39.9	39.6	30.5	53.5	50.0	41.9	41.4	31.6	55.0	52.6	43.8	43.3	32.8
	KW	4.06	4.09	4.08	4.10	4.15	4.07	4.09	4.09	4.12	4.17	4.08	4.10	4.09	4.13	4.18
85	T.C.	51.0	54.7	54.6	59.8	65.5	52.6	55.8	55.6	61.0	66.6	54.2	56.8	56.6	62.1	67.7
	S.C.	49.8	46.0	38.6	38.3	29.6	51.4	48.6	40.5	40.2	30.7	52.9	51.2	42.5	42.1	31.9
	KW	4.73	4.73	4.75	4.72	4.73	4.71	4.72	4.74	4.72	4.74	4.70	4.72	4.73	4.72	4.75
95	T.C.	48.8	52.2	52.0	57.4	63.1	50.5	53.2	53.0	58.5	64.1	52.1	54.1	54.0	59.6	65.1
	S.C.	47.7	44.6	37.3	37.0	28.7	49.3	47.2	39.2	39.0	29.8	50.9	49.8	41.2	41.0	31.0
	KW	5.39	5.37	5.43	5.33	5.31	5.35	5.35	5.40	5.32	5.32	5.32	5.34	5.37	5.31	5.32
105	T.C.	45.9	48.8	48.7	54.2	59.8	47.5	49.9	49.6	55.3	60.9	49.1	51.0	50.5	56.3	61.9
	S.C.	44.8	42.8	35.8	35.7	27.6	46.4	45.3	37.7	37.6	28.7	47.9	47.8	39.6	39.6	29.9
	KW	6.63	6.53	6.65	6.34	6.20	6.52	6.47	6.59	6.31	6.17	6.41	6.41	6.53	6.27	6.14
115	T.C.	43.1	45.6	45.5	51.1	56.6	44.6	46.8	46.3	52.1	57.8	46.2	47.9	47.2	53.1	58.9
	S.C.	42.1	41.0	34.3	34.4	26.6	43.6	43.4	36.2	36.3	27.7	45.1	45.9	38.1	38.2	28.9
	KW	7.84	7.66	7.83	7.33	7.06	7.66	7.56	7.74	7.27	6.99	7.47	7.46	7.65	7.21	6.93
125	T.C.	40.3	42.3	42.2	48.0	53.5	41.8	43.6	43.1	49.0	54.6	43.2	44.9	43.9	49.9	55.8
	S.C.	39.3	39.2	32.9	33.1	25.5	40.7	41.6	34.7	35.0	26.7	42.2	43.9	36.6	36.9	27.8
	KW	9.05	8.78	9.01	8.32	7.92	8.79	8.64	8.89	8.23	7.82	8.53	8.50	8.77	8.15	7.72

NOTE: ALL CAPACITIES INCLUDE INDOOR FAN HEAT. KW VALUES ARE FOR THE SYSTEM (OUTDOOR + INDOOR).

Green shaded cells are ACCA (TVA) conditions.

Blue shaded cells are AHRI conditions.

## Multipliers for determining the performance with other indoor sections.

NOTE: For dry bulb temperatures different than those listed (between 73-87 °F), sensible capacity increases by 1060 BTUH per 1000 CFM per degree above the listed temperature and decreases by 1060 BTUH per 1000 CFM per degree below the listed temperature.

Air Handlers	Coils	T.C.	S.C.	KW
-	CF/CM64D	1.00	1.00	1.00
AE60DX21	-	1.00	1.15	0.98
AP60DX22	-	1.00	1.10	1.00
AVC60DX21	-	1.00	1.10	1.00
ME20DN21	CF/CM64D	1.00	1.14	0.98
MVC20DN21	CF/CM64D	1.00	1.17	0.98

Furnaces	Coils	T.C.	S.C.	KW
TM8E080C16MP11	CF/CM64D	1.01	1.09	1.01
TM8E080C20MP11	CF/CM/CU60C	0.97	1.04	1.00
TM8E080C20MP11	CF/CM/CU60D	0.97	1.05	0.97
TM8E080C20MP11	CF/CM64D	1.01	1.09	0.99
TM8E100C16MP11	CF/CM64D	1.01	1.09	1.01
TM8E100C20MP11	CF/CM/CU60C	0.97	1.02	0.99
TM8E100C20MP11	CF/CM/CU60D	0.97	1.04	0.97
TM8E100C20MP11	CF/CM64D	1.01	1.08	0.99
TM8E120C16MP11	CF/CM64D	1.01	1.09	1.01
TM8E120C20MP11	CF/CM/CU60C	0.97	1.04	0.97
TM8E120C20MP11	CF/CM/CU60D	0.97	1.04	0.97
TM8E120C20MP11	CF/CM64D	1.01	1.08	0.99
TM8E130D20MP11	CF/CM/CU60D	0.98	1.07	0.98
TM8E130D20MP11	CF/CM64D	1.02	1.11	1.02
TM8V080C16MP12C	CF/CM64D	1.00	1.14	1.00
TM8V100C16MP12C	CF/CM64D	1.00	1.14	1.00
TM8V100C20MP12C	CF/CM64D	1.00	1.11	1.00
TM8V120C20MP12C	CF/CM64D	1.00	1.11	1.00
TM9E080C20MP12	CF/CM/CU60C	0.97	1.04	1.00
TM9E080C20MP12	CF/CM/CU60D	0.97	1.04	0.97
TM9E080C20MP12	CF/CM64D	1.00	1.06	0.98

Furnaces	Coils	T.C.	S.C.	KW
TM9E100C20MP11	CF/CM64D	1.00	1.08	1.00
TM9E100C20MP12	CF/CM/CU60C	0.97	1.04	1.00
TM9E100C20MP12	CF/CM/CU60D	0.97	1.04	0.97
TM9E100C20MP12	CF/CM64D	1.01	1.08	0.99
TM9E120D20MP11	CF/CM64D	1.00	1.09	1.00
TM9E120D20MP12	CF/CM64D	1.01	1.10	1.01
TM9V080C16MP12C	CF/CM64D	1.00	1.10	1.00
TM9V100C16MP12C	CF/CM64D	1.00	1.09	1.02
TM9V100C20MP12C	CF/CM64D	1.00	1.09	1.00
TM9V120D20MP12C	CF/CM64D	1.00	1.09	1.00
TM9Y100C20MP11	CF/CM64D	1.00	1.08	1.00
TM9Y120D20MP11	CF/CM64D	1.00	1.09	1.00
TMLE080C16MP11	CF/CM64D	1.01	1.09	1.01
TMLE080C20MP11	CF/CM/CU60C	0.97	1.04	1.00
TMLE080C20MP11	CF/CM/CU60D	0.97	1.05	0.97
TMLE080C20MP11	CF/CM64D	1.01	1.09	0.99
TMLE100C16MP11	CF/CM64D	1.01	1.09	1.01
TMLE100C20MP11	CF/CM/CU60C	0.97	1.02	0.99
TMLE100C20MP11	CF/CM/CU60D	0.97	1.04	0.97
TMLE100C20MP11	CF/CM64D	1.01	1.08	0.99
TMLE120C16MP11	CF/CM64D	1.01	1.09	1.01
TMLE120C20MP11	CF/CM/CU60C	0.97	1.04	0.97
TMLE120C20MP11	CF/CM/CU60D	0.97	1.04	0.97
TMLE120C20MP11	CF/CM64D	1.01	1.08	0.99

Furnaces	Coils	T.C.	S.C.	KW
TMLE130D20MP11	CF/CM/CU60D	0.98	1.07	0.98
TMLE130D20MP11	CF/CM64D	1.02	1.11	1.02
TMLV080C16MP12C	CF/CM64D	1.00	1.14	1.00
TMLV100C16MP12C	CF/CM64D	1.00	1.14	1.00
TMLV100C20MP12C	CF/CM64D	1.00	1.11	1.00
TMLV120C20MP12C	CF/CM64D	1.00	1.11	1.00
TP9C080C16MP13C	CF/CM64D	1.00	1.10	1.00
TP9C100C16MP13C	CF/CM64D	1.00	1.09	1.02
TP9C100C20MP13C	CF/CM64D	1.00	1.09	1.00
TP9C120D20MP13C	CF/CM64D	1.00	1.09	1.00
TPLC080C16MP13C	CF/CM64D	1.00	1.14	1.00
TPLC100C16MP13C	CF/CM64D	1.00	1.14	1.00
TPLC100C20MP13C	CF/CM64D	1.00	1.11	1.00
TPLC120C20MP13C	CF/CM64D	1.00	1.11	1.00
YP9C080C16MP13C	CF/CM64D	1.00	1.10	1.00
YP9C100C16MP13C	CF/CM64D	1.00	1.09	1.02
YP9C100C20MP13C	CF/CM64D	1.00	1.09	1.00
YP9C120D20MP13C	CF/CM64D	1.00	1.09	1.00
YPLC080C16MP13C	CF/CM64D	1.00	1.14	1.00
YPLC100C16MP13C	CF/CM64D	1.00	1.14	1.00
YPLC100C20MP13C	CF/CM64D	1.00	1.11	1.00
YPLC120C20MP13C	CF/CM64D	1.00	1.11	1.00