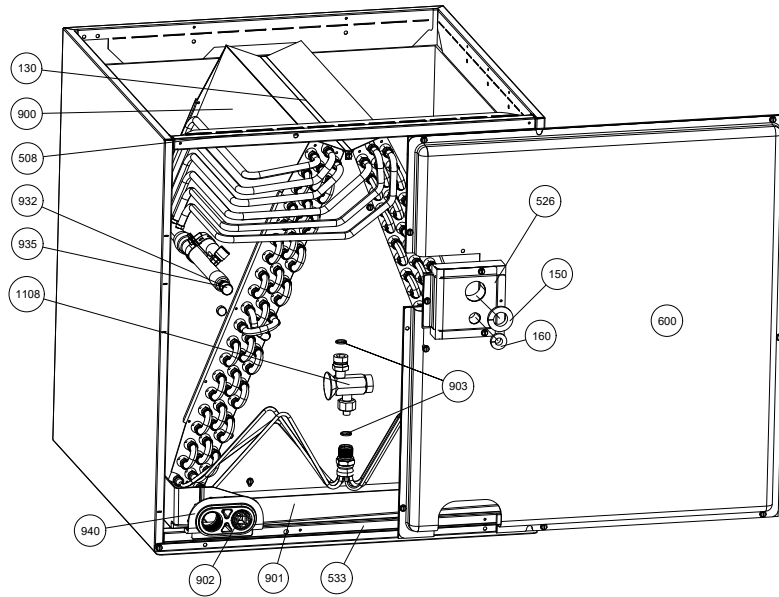


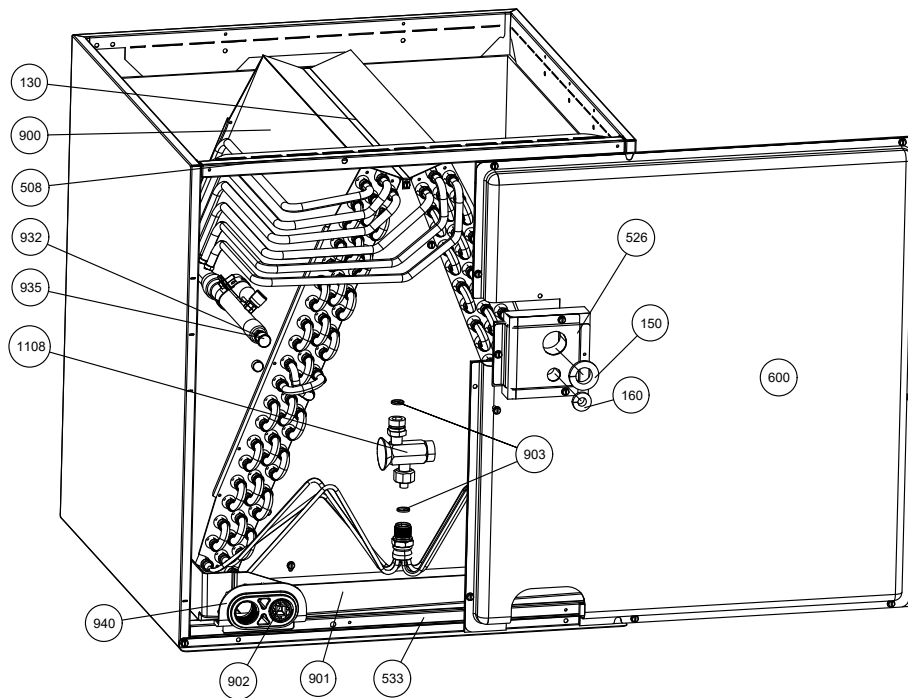
REPAIR PARTS LIST

PRINTED DATE: 1/28/2025

The information provided to you may include Johnson Controls' trade secrets, intellectual property, and confidential business information (including its Bill of Materials), and this information is to be kept in the strictest confidence and not to be disclosed to any third party without the prior written consent of Johnson Controls.



Section	Description
	CONSOLIDATED LIST



## Section : CONSOLIDATED LIST

Section	Callout	Replacement Part #	Description	Original Part #	XAFC42E BAN1	XAFC42E BCN1	XAFC48F BAN1	XAFC48F BCN1	XAFC60G BAN1
	NS	S1-02131419000	WASHER, TXV	S1-02131419000	2				
	NS	S1-02202475700	CORE, VLV, V PORT (M10)	S1-02202475700	1				
	NS	S1-02310745000	CAP, SEAL, KNURLED 7/1	S1-02310745000	1				
	NS	S1-02812480001	PLUG, DRAIN PAN	S1-02812480001	1				
	NS	S1-02818864000	PAN, DRAIN, 3R, 21.0 IN, A-COIL	S1-02818864000	1				
	NS	S1-02818924000	GROMMET, 0.406 INCH ID X 0.750 INCH	S1-02818924000	1	1	1	1	
	NS	S1-07348954001	SHIELD, BLOWOFF, 3 ROW	S1-07348954001	1				
	NS	S1-1TVMBA1	KIT, TXV, R-410A, 3/4 INCH CHATLEFF CONN	S1-1TVMBA1	1				
	130	S1-07348954001	SHIELD, BLOWOFF, 3 ROW	S1-07348954001		1	1	1	1
	150	S1-02813205000	GROMMET 7/8 INCH	S1-02813205000	1	1	1	1	1
	160	S1-02813209000	GROMMET 3/8 INCH	S1-02813209000					1
	508	S1-37348916001	BRACE, ASSEM, CABINET W/INSUL, 21.0	S1-37348916001	1	1	1	1	1
	533	S1-37348912001	BRACE, ASSEM, LOWER W/INSUL, 21.0, CHAMP	S1-37348912001	1	1	1	1	1
	536	S1-07348823001	ANGLE, TRANSITION, 21.0, CHAMP	S1-07348823001	1	1	1	1	1

	600	S1-37348901001	PNL,ASSEM,LOWER ACCESS,24.4 X 21.0,CHAMP	S1-37348901001	1	1				
	600	S1-37348902001	PNL,ASSEM,LOWER ACCESS,26.4 X 21.0,CHAMP	S1-37348902001			1	1		
	600	S1-37348903001	PNL,ASSEM,LOWER ACCESS,32.4 X 21.0,CHAMP	S1-37348903001						1
	900	S1-37348928001	COIL W/DRAINPAN,3R/22/21.0,ALUM, FLEX	S1-37348928001		1				
	900	S1-37348930001	COIL W/DRAINPAN,3R/24/21.0,ALUM, FLEX	S1-37348930001			1	1		
	900	S1-37348932001	COIL W/DRAINPAN,3R/28/21.0,ALUM, FLEX	S1-37348932001						1
	901	S1-02818864000	PAN,DRAIN,3R,21.0 IN,A-COIL	S1-02818864000		1	1	1	1	1
	902	S1-02812480001	PLUG,DRAIN PAN	S1-02812480001		1	1	1	1	1
	903	S1-02131419000	WASHER, TXV	S1-02131419000	1	2	2	2	2	2
	932	S1-02202475700	CORE,VLV,V PORT (M10)	S1-02202475700		1	1	1	1	1
	935	S1-02310745000	CAP,SEAL,KNURLED 7/1	S1-02310745000	1	1	1	1	1	1
	940	S1-02818913000	GASKET,DRAIN PAN	S1-02818913000	1	1	1	1	1	1
	1108	S1-1TVMBA1	KIT, TXV,R-410A,3/4 INCH CHATLEFF CONN	S1-1TVMBA1			1			1
	1108	S1-1TVMBC1	KIT, TXV,R-410A,3/4 INCH CHATLEFF CONN	S1-1TVMBC1		1		1		

Section	Callout	Replacement Part #	Description	Original Part #	XAFC60G BCN1	XAFC60H BCN1	XAFD42E BCN1	XAFD48F BAN1	XAFD48F BCN1
	NS	S1-02818924000	GROMMET,0.406 INCH ID X 0.750 INCH	S1-02818924000	1	1			1
	130	S1-07348954001	SHIELD,BLOWOFF,3 ROW	S1-07348954001	1	1	1	1	1
	150	S1-02813205000	GROMMET 7/8 INCH	S1-02813205000	1	1	1	1	1
	160	S1-02813209000	GROMMET 3/8 INCH	S1-02813209000			1	1	
	508	S1-37348916001	BRACE,ASSEM,CABINET W/INSUL,21.0	S1-37348916001	1	1			
	508	S1-37348917001	BRACE,ASSEM,CABINET W/INSUL,24.5	S1-37348917001			1	1	1
	526	S1-37348909001	PNL,ASSEM,TUBING ACCESS W/INSUL,CHAMP	S1-37348909001			1	1	
	533	S1-37348912001	BRACE,ASSEM,LOWER W/INSUL,21.0,CHAMP	S1-37348912001	1	1			
	533	S1-37348913001	BRACE,ASSEM,LOWER W/INSUL,24.5,CHAMP	S1-37348913001			1	1	1
	536	S1-07348823001	ANGLE,TRANSITION,21.0,CHAMP	S1-07348823001	1	1			
	536	S1-07348824001	ANGLE,TRANSITION,24.5,CHAMP	S1-07348824001			1	1	1
	600	S1-37348903001	PNL,ASSEM,LOWER ACCESS,32.4 X 21.0,CHAMP	S1-37348903001	1				
	600	S1-37348904001	PNL,ASSEM,LOWER ACCESS,36.6 X 21.0,CHAMP	S1-37348904001		1			
	600	S1-37348905001	PNL,ASSEM,LOWER ACCESS,24.4 X 24.5,CHAMP	S1-37348905001			1		
	600	S1-37348906001	PNL,ASSEM,LOWER ACCESS,26.4 X 24.5,CHAMP	S1-37348906001				1	1

	900	S1-37348929001	COIL W/DRAINPAN,3R/22/24.5,ALUM, FLEX	S1- 37348929 001			1		
	900	S1-37348931001	COIL W/DRAINPAN,3R/24/24.5,ALUM, FLEX	S1- 37348931 001				1	1
	900	S1-37348932001	COIL W/DRAINPAN,3R/28/21.0,ALUM, FLEX	S1- 37348932 001	1				
	900	S1-37348934001	COIL W/DRAINPAN,3R/32/21.0,ALUM, FLEX	S1- 37348934 001		1			
	901	S1-02818864000	PAN,DRAIN,3R,21.0 IN,A-COIL	S1- 02818864 000	1	1			
	901	S1-02818865000	PAN,DRAIN,3R,24.5 IN,A-COIL	S1- 02818865 000			1	1	1
	902	S1-02812480001	PLUG,DRAIN PAN	S1- 02812480 001	1	1	1	1	1
	903	S1-02131419000	WASHER,TXV	S1- 02131419 000	2	2	2	2	2
	932	S1-02202475700	CORE,VLV,V PORT (M10)	S1- 02202475 700	1	1	1	1	1
	935	S1-02310745000	CAP,SEAL,KNURLED 7/1	S1- 02310745 000	1	1	1	1	1
	940	S1-02818913000	GASKET,DRAIN PAN	S1- 02818913 000	1	1	1	1	1
	1108	S1-1TVMBA1	KIT, TXV,R-410A,3/4 INCH CHATLEFF CONN	S1- 1TVMBA1				1	
	1108	S1-1TVMBC1	KIT, TXV,R-410A,3/4 INCH CHATLEFF CONN	S1- 1TVMBC1	1	1	1		1

Section	Callout	Replacement Part #	Description	Original Part #	XAFD60G BAN1	XAFD60G BCN1	XAFD60H BCN1	XAFD60J BCN1	
	NS	S1-02818924000	GROMMET,0.406 INCH ID X 0.750 INCH	S1- 02818924 000		1	1	1	
	130	S1-07348954001	SHIELD,BLOWOFF,3 ROW	S1- 07348954 001	1	1	1		
	130	S1-07348955001	SHIELD,BLOWOFF,4 ROW	S1- 07348955 001				1	
	150	S1-02813205000	GROMMET 7/8 INCH	S1- 02813205 000	1	1	1	1	
	160	S1-02813209000	GROMMET 3/8 INCH	S1- 02813209 000	1				
	508	S1-37348917001	BRACE,ASSEM,CABINET W/INSUL,24.5	S1- 37348917 001	1	1	1	1	
	526	S1-37348909001	PNL,ASSEM,TUBING ACCESS W/INSUL,CHAMP	S1- 37348909 001	1				
	533	S1-37348913001	BRACE,ASSEM,LOWER W/INSUL,24.5,CHAMP	S1- 37348913 001	1	1	1	1	
	536	S1-07348824001	ANGLE,TRANSITION,24.5,CHA MP	S1- 07348824 001	1	1	1	1	
	600	S1-37348907001	PNL,ASSEM,LOWER ACCESS,32.2 X 24.5,CHAMP	S1- 37348907 001	1	1		1	
	600	S1-37348908001	PNL,ASSEM,LOWER ACCESS,36.6 X 24.5,CHAMP	S1- 37348908 001			1		
	900	S1-37348933001	COIL W/DRAINPAN,3R/28/24.5,ALUM, FLEX	S1- 37348933 001	1	1			
	900	S1-37348935001	COIL W/DRAINPAN,3R/32/24.5,ALUM, FLEX	S1- 37348935 001			1		
	900	S1-37348936001	COIL W/DRAINPAN,4R/28/24.5,ALUM, FLEX	S1- 37348936 001				1	
	901	S1-02818865000	PAN,DRAIN,3R,24.5 IN,A-COIL	S1- 02818865 000	1	1	1		
	901	S1-02818866000	PAN,DRAIN,4R,24.5 IN,A-COIL	S1- 02818866 000				1	

	902	S1-02812480001	PLUG,DRAIN PAN	S1-02812480001	1	1	1	1	
	903	S1-02131419000	WASHER, TXV	S1-02131419000	2	2	2	2	
	932	S1-02202475700	CORE, VLV, V PORT (M10)	S1-02202475700	1	1	1	1	
	935	S1-02310745000	CAP, SEAL, KNURLED 7/1	S1-02310745000	1	1	1	1	
	940	S1-02818913000	GASKET, DRAIN PAN	S1-02818913000	1	1	1	1	
	1108	S1-1TVMBA1	KIT, TXV, R-410A, 3/4 INCH CHATLEFF CONN	S1-1TVMBA1	1				
	1108	S1-1VMBC1	KIT, TXV, R-410A, 3/4 INCH CHATLEFF CONN	S1-1VMBC1		1	1	1	

Suggested stocking items are shown with shaded item number.

Model series repair parts lists are generated for each model number from the last production bill of material.

Major components and suggested stocking items are shown with shaded item number.

Repair parts lists are subject to change without notice.

TO ORDER AUTHORIZED FACTORY REPLACEMENT PARTS - Contact your Source1 HVAC Parts Distributor or visit our website at [www.Source1Parts.com](http://www.Source1Parts.com) for a Distributor and Dealer listing.

Copyright © 2025 by Johnson Controls Inc. All rights reserved.

Johnson Controls Unitary Products